



INTERNATIONAL

---

# Application Catalogue

Number 47 | December 2021

# OME Features

## NITROCHARGER SPORT SHOCK ABSORBERS

### LARGE BORE 35MM TWIN TUBE DESIGN

Allows greater oil volume for cooling and sustained valving performance and strong 1.6mm outer tube construction protects the vital internal components from damage.

### LARGE 18MM HARDENED CHROME PISTON ROD

Strong enough to handle any load or harsh conditions expected from your 4x4.

### TRIPLE LIP CHECK VALVE OIL SEAL – MK2

The latest technology in oil seal design – physically larger with quantum improvements in durability, oil and gas retention with much greater resistance to heat so it keeps working under the harshest conditions.

### TEFLON-IMPREGNATED LOW FRICTION ROD GUIDE

The latest refinement in rod guide design further reduces heat build-up and maintains performance.

### TEFLON-INFUSED BRONZE ROD GUIDE SLIP RING

A new component that maintains consistent and uniform performance by providing a tight and uniform fit between the piston rod and rod guide.

### MULTI DEFLECTIVE DISC VALVING SYSTEM

A unique and new valving system that features multiple disc valving control at the base of the shock and on both sides of the piston rod. This allows the OME engineers more valving options for better ride quality and handling control.

### 35MM HIGH FLOW TEFLON-BANDED PISTON

New low friction design has less restrictive oil flow through the piston, reduces heat build-up and aeration of the oil that leads to fade.

### VEHICLE-SPECIFIC VALVING

OME shock absorbers performance stand head and shoulders over its competitors because many hours of OME engineering valving work have been put into each and every shock absorber to ensure our customers get the best ride and handling their vehicle can have.

### POLYETHYLENE DIRT SHIELD

Impact-resistant, polyethylene dirt shield provides additional protection from stone chips and off road debris.

### NITROGEN GAS

Increases the temperature operating range and improves oil flow through the valving, ensuring optimum performance.

### SUPPLEMENTARY WELDS

For strength and reliability, all mounts have supplementary welds.

## NITROCHARGER SHOCK ABSORBERS

### GIANT 18MM CHROMED SHAFT

Indestructible for Australia's rugged off roading. Induction hardened then hard chromed to a superfine finish.

### NITROGEN GAS

The gas pressure keeps the oil cohesive under all situations.

### TWIN TUBE DESIGN

33% thicker outer tube insures that rocks do not damage internal operating components. This design also allows for a greater volume of oil, which keeps the shock cooler.

### 35MM SEVEN STAGE COMPRESSION VALVE

Delivers all the subtleties of compression rates for the best ride and handling.

### CHECK VALVE SEAL

The latest in seal technology, this shaft seal significantly improves gas retention whilst offering excellent longevity.

### GLACIER BUSH

A Teflon-coated rod guide bush significantly reduces heat build-up in the rod guide area, developed from the Emu's off road racing program.

### GIANT 35MM TEFLON-BANDED PISTON

A new four-stage coil-sprung rebound valve system to control vehicle bounce.

### SUPPLEMENTARY WELDS

On all mounting eyes and pins for maximum shock absorber mount strength.

### STONEGUARD

Protects oil seal and piston rod against stone and dirt damage.

### X5K MICRO-ALLOYED SPRING STEEL

New generation high strength spring steel grade designed to withstand higher operating stresses with superior resistance to sag and improved toughness and corrosion fatigue properties.

## COIL SPRINGS

### SHOT-PEENED

To reduce stress, which greatly enhances spring life.

### DOUBLE-SCRAGGED

To eliminate spring sag.

### VARIABLE AND CONSTANT RATE

Designs used to obtain optimum ride comfort and load-carrying capabilities.

### COIL SPRUNG 9 STAGE VALVING

For optimum performance.

## STEERING STABILISERS

### 35MM PISTON & BORE

Greater oil volume giving better damper performance.

## TWIN TUBE DESIGN

Protects the internal components against stone damage.

## STEEL STONEGUARD

Protects the piston rod against stone damage.

## FOAM CELL

Keeps the oil at the valving to prevent fade.

## ORIGINAL MOUNTS

All mounts are of similar design to original stabilisers for ease of fitment.

## LEAF SPRINGS

### FLAT AXLE SEAT AREA

Lowers spring stress whilst retaining spring-free camber height. Unique to most OME springs.

### ANTI-FRICTION INTERLEAF LINERS

Used where applicable to reduce friction between spring leaves, giving better ride comfort and increased spring life.

### SHOT-PEENED

On the tension side of all leaves to double spring life.

### DRAW-TAPERED & DIAMOND CUT LEAVES

For reduced interleaf friction and improved load distribution in the load-bearing area.

### GRAPHITE-COATED

For further reduced friction.

### MILITARY-WRAPPED

For extra safety (where fitment permits).

### LOOSE-CLAMPED

For smooth and quiet operation.

## URETHANE BUSHES - LEAF SPRING

### PREMIUM GRADE

Not all bushes are the same - OME bushes are precision moulded in captive moulds to ensure exact tolerances for long bush life.

### SPLINES

Ensures the best fit by taking up irregularities in spring eyes.

### UNIQUE OME DESIGN

Clever lip seal and shoulder design prevents dirt penetrating between bush shoulder and shackle face.

## GREASEABLE SHACKLES

### REDUCED WEAR

Greasable shackles reduce shackle pin deterioration, increase bush life, enable easy maintenance and improve ride and handling.

### ANTI-INVERSION FACILITY

Built-in feature on all LandCruiser greaseable shackles.

### SERVICING

Simple and effective.

### WARRANTY

For a copy of ARB's Warranty Policy, ARB Products: Warranty Against Defects, please visit the ARB website.

[www.arb.com.au](http://www.arb.com.au)

# CONTENTS



	<b>PAGE</b>
GUIDE TO SELECTION .....	8
NITROCHARGER SPORT SELECTION .....	9
NITROCHARGERS & STEERING STABILISER APPLICATIONS .....	15
COMPACT AWD - OME SPRING & SHOCK ABSORBER RANGE .....	20
LTR REMOTE CANISTER SELECTION.....	21
ARMOURED APPLICATION.....	
<a href="#"><u>NISSAN PATROL Y62 - 4.5T GVM</u></a> .....	22
<a href="#"><u>TOYOTA LANDCRUISER 200 SERIES - 4.5T GVM</u></a> .....	22
<b>SUSPENSION APPLICATIONS</b>	
CHRYSLER JEEP .....	
<a href="#"><u>COMMANDER XK 2006 To 2010</u></a> .....	26
<a href="#"><u>CHEROKEE XJ WAGON 1984 To 2001</u></a> .....	26
<a href="#"><u>CHEROKEE/LIBERTY KK 2008 To 2013</u></a> .....	27
<a href="#"><u>CHEROKEE/LIBERTY KJ 2002 To 2007</u></a> .....	27
<a href="#"><u>GRAND CHEROKEE WK2 2016 On</u></a> .....	23
<a href="#"><u>GRAND CHEROKEE WK2 2011 To 2015</u></a> .....	24
<a href="#"><u>GRAND CHEROKEE WH/WK 2005 To 2010</u></a> .....	24
<a href="#"><u>GRAND CHEROKEE WJ/WG 1999 To 2004</u></a> .....	25
<a href="#"><u>GRAND CHEROKEE ZJ 1993 To 1998</u></a> .....	25
<a href="#"><u>WRANGLER JL 3.6L PETROL SWB 2018 On</u></a> .....	30
<a href="#"><u>WRANGLER JL 3.6L PETROL &amp; 2.2L DIESEL LWB 2018 On</u></a> .....	32
<a href="#"><u>WRANGLER JL RUBICON &amp; SPORT SWB 2018 On</u></a> .....	31
<a href="#"><u>WRANGLER JL RUBICON &amp; SPORT LWB 2018 On</u></a> .....	33
<a href="#"><u>WRANGLER JK 2 DOOR 2006 To 2017</u></a> .....	34 / 35
<a href="#"><u>WRANGLER JK 4 DOOR 2006 To 2017</u></a> .....	36 / 37
<a href="#"><u>WRANGLER JK - OFF ROAD USE ONLY</u></a> .....	38 / 39
<a href="#"><u>WRANGLER TJ &amp; TJ UNLIMITED 1997 To 2006</u></a> .....	28
<a href="#"><u>WRANGLER YJ 1986 To 1996</u></a> .....	29
<a href="#"><u>DODGE RAM 1500 DS</u></a> .....	40
FORD .....	
<a href="#"><u>COURIER/RANGER 1 TONNE 1985 To 2005 ALL MODELS (not USA manufact. models)</u></a> .....	46
<a href="#"><u>EVEREST MY19 2018 On</u></a> .....	47
<a href="#"><u>EVEREST 2015 To 2018</u></a> .....	47
<a href="#"><u>EXPLORER 1996 To 2001 REAR LEAF SPRING MODELS</u></a> .....	48
<a href="#"><u>F250/F350 2011 To 2017</u></a> .....	48
<a href="#"><u>F250/F350 2008 To 2010</u></a> .....	49
<a href="#"><u>F250/F350 2005 To 2008 ALL MODELS</u></a> .....	50
<a href="#"><u>F250/F350 1999 To 2004 ALL MODELS</u></a> .....	51
<a href="#"><u>RANGER (USA model only)</u></a> .....	41
<a href="#"><u>RANGER RAPTOR 2018 On</u></a> .....	42
<a href="#"><u>RANGER PXIII MY19</u></a> .....	43 / 44
<a href="#"><u>RANGER PX 2011 To 2018</u></a> .....	45
<a href="#"><u>RANGER PJ/PK 12/2006 To 2011 ALL MODELS (not USA manufact. models)</u></a> .....	46
CHEVROLET / GMC / GM / HOLDEN .....	
<a href="#"><u>COLORADO / CANYON 2015 On (USA Model)</u></a> .....	55
<a href="#"><u>COLORADO 2012 On ALL MODELS</u></a> .....	57
<a href="#"><u>COLORADO RC 2008 To 2011 ALL MODELS</u></a> .....	58
<a href="#"><u>COLORADO 7 2013 To 2016/TRAILBLAZER 2017 On ALL MODELS</u></a> .....	54

# CONTENTS



	<b>PAGE</b>
<b>SUSPENSION APPLICATIONS</b> (continued)	
CHEVROLET / GMC / GM / HOLDEN (continued).....	
<a href="#"><u>DROVER ALL MODELS (not USA manufactured model)</u></a>	59
<a href="#"><u>GM FRONTERA 5 DOOR 1999 To 6/2003</u></a>	53
<a href="#"><u>GM FRONTERA 2 &amp; 4 DOOR UT MODELS 1995 To 1998</u></a>	54
<a href="#"><u>JACKAROO/TROOPER &amp; MONTEREY 3/2001 To 2004 SWB &amp; LWB</u></a>	52
<a href="#"><u>JACKAROO/TROOPER &amp; MONTEREY 1992 To 2/2001 SWB &amp; LWB</u></a>	52
<a href="#"><u>JACKAROO 1982 To 3/1992 ALL MODELS</u></a>	53
<a href="#"><u>RODEO RA 2003 To 2011 ALL MODELS (not USA manufactured model)</u></a>	58
<a href="#"><u>RODEO To 2003 ALL MODELS (not USA manufactured model)</u></a>	59
 HUMMER .....	
<a href="#"><u>HUMMER H3</u></a>	60
 HYUNDAI .....	
<a href="#"><u>GALLOPER To 1991 REAR LEAF SPRING MODELS</u></a>	77
<a href="#"><u>GALLOPER 1989 To 1991 REAR COIL SPRING MODELS</u></a>	77
<a href="#"><u>TERRACAN 2001 On</u></a>	61
 ISUZU .....	
<a href="#"><u>DMAX 2021 On ALL MODELS</u></a>	56
<a href="#"><u>DMAX 2012 To 2020 ALL MODELS</u></a>	57
<a href="#"><u>DMAX 2008 To 2011 ALL MODELS</u></a>	58
<a href="#"><u>DMAX To 2003 ALL MODELS (not USA manufactured model)</u></a>	59
<a href="#"><u>MU-X 2013 On ALL MODELS</u></a>	54
<a href="#"><u>RODEO WAGON 1999 To 6/2003 (USA)</u></a>	53
<a href="#"><u>RODEO WAGON 1995 To 1998 (USA)</u></a>	54
<a href="#"><u>TROOPER 1982 To 3/1992 ALL MODELS</u></a>	53
 KIA .....	
<a href="#"><u>SORENTO BL To 2009</u></a>	61
 LADA .....	
<a href="#"><u>NIVA</u></a>	62
 LAND ROVER .....	
<a href="#"><u>90 SERIES</u></a>	69
<a href="#"><u>DEFENDER &amp; COUNTY 110</u></a>	65
<a href="#"><u>DEFENDER 110 LONG TRAVEL</u></a>	66
<a href="#"><u>DEFENDER 110 BP-51 LONG TRAVEL</u></a>	67
<a href="#"><u>DEFENDER 130</u></a>	68
<a href="#"><u>DISCOVERY 3 2005 On ALL COIL MODELS</u></a>	63
<a href="#"><u>DISCOVERY 1999 To 2004 ALL COIL SUSPENSION MODELS</u></a>	63
<a href="#"><u>DISCOVERY To 1998</u></a>	64
<a href="#"><u>RANGE ROVER To 5/1995</u></a>	64
 MAZDA .....	
<a href="#"><u>B SERIES 1 TONNE 1987 To 2006 ALL MODELS</u></a>	72
<a href="#"><u>BT-50 2021 On</u></a>	70
<a href="#"><u>BT-50 2011 To 2020</u></a>	71
<a href="#"><u>BT-50 1 TONNE 12/2006 To 2011 ALL MODELS</u></a>	72

# CONTENTS



	<b>PAGE</b>
<b>SUSPENSION APPLICATIONS</b> (continued)	
MERCEDES .....	
<u><a href="#">G-WAGON G350 BLUETECH/G55 AMG MODELS</a></u>	73
MITSUBISHI .....	
<u><a href="#">CHALLENGER/MONTERO SPORT KH 2010 To 2015</a></u>	81
<u><a href="#">CHALLENGER/MONTERO SPORT 2000 To 2008 LWB COIL REAR MODELS</a></u>	81
<u><a href="#">CHALLENGER V6 1998 To 2000 (REAR LEAF SPRING MODELS)</a></u>	82
<u><a href="#">MONTERO SPORT 1989 To 1991 (USA)</a></u>	77
<u><a href="#">MONTERO SPORT WAGON PA 1998 To 2000 (REAR LEAF SPRING MODELS)</a></u>	82
<u><a href="#">PAJERO SPORT 2015 On MODELS</a></u>	74
<u><a href="#">PAJERO 2007 On ALL LWB MODELS</a></u>	74
<u><a href="#">PAJERO/MONTERO 2000 To 2006 ALL LWB MODELS</a></u>	75
<u><a href="#">PAJERO/MONTERO 2000 On ALL SWB MODELS</a></u>	75
<u><a href="#">PAJERO/MONTERO 1991 To 1999 ALL SWB &amp; LWB REAR LEAF SPRING MODELS</a></u>	76
<u><a href="#">PAJERO/MONTERO 1991 To 1999 ALL LWB REAR COIL SPRING MODELS</a></u>	76
<u><a href="#">PAJERO/MONTERO 1991 To 1999 ALL SWB REAR COIL SPRING MODELS</a></u>	77
<u><a href="#">PAJERO/MONTERO To 1991 REAR LEAF SPRING MODELS</a></u>	77
<u><a href="#">PAJERO CHALLENGER 1989 To 1991 REAR COIL SPRING MODELS</a></u>	77
<u><a href="#">TRITON/MR L200 ALL 4X4 MODELS</a></u>	78
<u><a href="#">TRITON/L200 MQ ALL 4X4 MODELS</a></u>	78
<u><a href="#">TRITON/L200 ML &amp; MN 2006 To 2015 ALL MODELS</a></u>	79
<u><a href="#">TRITON/L200 MK 10/1996 To 2006 ALL MODELS</a></u>	80
<u><a href="#">TRITON/L200 To 1996 ALL MODELS</a></u>	80
NISSAN .....	
<u><a href="#">FRONTIER 2005 On ALL MODELS (USA)</a></u>	96
<u><a href="#">NAVARA D23 NP300 2019 On Series 4 &amp; 5</a></u>	94
<u><a href="#">NAVARA D23 NP300 2015 To 2018 Series 1, 2 &amp; 3</a></u>	95
<u><a href="#">NP300 2008 To 2014 ALL MODELS</a></u>	96
<u><a href="#">NAVARA D40 2005 On ALL MODELS</a></u>	96
<u><a href="#">NAVARA D22 10/2002 On ALL MODELS</a></u>	96
<u><a href="#">NAVARA D21 &amp; D22 To 8/2002 ALL MODELS</a></u>	97
<u><a href="#">PATHFINDER R51 2005 To 2014 (not USA manufactured model)</a></u>	97
<u><a href="#">PATHFINDER R50 1996 To 2005 V6 MODELS</a></u>	98
<u><a href="#">PATHFINDER To Late 1995 ALL MODELS</a></u>	98
<u><a href="#">PATROL Y62 2010 On (non HBMC models)</a></u>	83
<u><a href="#">PATROL GU Y61 ALL LWB MODELS</a></u>	85
<u><a href="#">PATROL Y60 &amp; Y61 LWB - OFF ROAD USE ONLY</a></u>	84
<u><a href="#">PATROL GU Y61 ALL SWB MODELS</a></u>	86
<u><a href="#">PATROL GU Y61 ALL COIL CAB CHASSIS MODELS</a></u>	87
<u><a href="#">PATROL GU Y61 CAB CHASSIS COIL: FRONT/LEAF: REAR</a></u>	88
<u><a href="#">PATROL GQ Y60 ALL SWB &amp; LWB MODELS</a></u>	89
<u><a href="#">PATROL GQ Y60 CAB CHASSIS COIL SPRING MODELS</a></u>	90
<u><a href="#">PATROL GQ Y60 UTE &amp; CAB CHASSIS LEAF SPRING MODELS</a></u>	91
<u><a href="#">PATROL MQ 260 LWB (SPANISH BUILT ALL 2.8TD MODELS)</a></u>	92
<u><a href="#">PATROL MQ M60 ALL MODELS</a></u>	93
<u><a href="#">TERRANO II R20 1996 To 2005</a></u>	98
<u><a href="#">XTERRA 2005 On MODELS</a></u>	99

# CONTENTS



	<b>PAGE</b>
<b>SUSPENSION APPLICATIONS (continued)</b>	
<b>SSANGYONG</b> .....	
<u><a href="#">KORANDO 1995 To 2005</a></u>	100
<u><a href="#">MUSSO 1995 To 2005</a></u>	100
<u><a href="#">SPORT UTILITY 1995 To 2005</a></u>	100
<b>SUZUKI</b> .....	
<u><a href="#">EQUATOR (USA)</a></u>	102
<u><a href="#">GRAND VITARA 8/2005 To 2015</a></u>	100
<u><a href="#">GRAND VITARA To 2005</a></u>	100
<u><a href="#">JIMNY 2018 On (4th Gen)</a></u>	105
<u><a href="#">JIMNY SN413 To 2017</a></u>	105
<u><a href="#">SIERRA/SAMURAI ALL LEAF SPRING MODELS (SJ413)</a></u>	103
<u><a href="#">SANTANA SAMURAI To 2004 SWB &amp; LWB MODELS</a></u>	104
<u><a href="#">VITARA WAGON 1988 To 2005 V6 PETROL ENGINE MODEL</a></u>	101
<u><a href="#">VITARA WAGON 1988 To 2005 4 CYLINDER PETROL ENGINE MODEL</a></u>	101
<u><a href="#">VITARA SWB To 2005</a></u>	101
<b>TOYOTA</b> .....	
<u><a href="#">4 RUNNER 2010 On (USA)</a></u>	146
<u><a href="#">4 RUNNER 2003 To 2010 (USA)</a></u>	147
<u><a href="#">4 RUNNER/SURF 1996 To 2002 (USA)</a></u>	147
<u><a href="#">4 RUNNER 1990 To 1996 (To 1995 in USA) IFS REAR COIL SPRING MODELS</a></u>	148
<u><a href="#">4 RUNNER 1986 To 1990 (To 1989 in USA) IFS REAR LEAF SPRING MODELS</a></u>	148
<u><a href="#">BUNDERA RJ70 11/1984 To 1990</a></u>	133
<u><a href="#">FJ CRUISER 2010 On</a></u>	121
<u><a href="#">FJ CRUISER 2006 To 2010</a></u>	122
<u><a href="#">FORTUNER 2015 On</a></u>	123
<u><a href="#">FORTUNER 2004 To 2015</a></u>	123
<u><a href="#">HILUX 2015 On ALL MODELS</a></u>	140 / 141
<u><a href="#">HILUX/VIGO 2005 To 2015 ALL MODELS</a></u>	142
<u><a href="#">HILUX/TIGER 1997 To 2004 ALL MODELS</a></u>	143
<u><a href="#">HILUX &amp; 4 RUNNER PRE 1997 ALL LEAF SPRING MODELS</a></u>	144
<u><a href="#">HILUX PRE 1997 EXTRA CAB &amp; DUAL CAB SR5 IFS &amp; REAR LEAF MODELS</a></u>	145
<u><a href="#">LANDCRUISER 200 SERIES WAGON (not AHC models)</a></u>	110 / 111
<u><a href="#">LANDCRUISER 100 SERIES INDEPENDENT FRONT SUSPENSION (not AHC models)</a></u>	109
<u><a href="#">LANDCRUISER 105 SERIES WAGON LIVE AXLE FRONT SUSPENSION MODEL</a></u>	107 / 108
<u><a href="#">LANDCRUISER 80 SERIES WAGON LIVE AXLE FRONT SUSPENSION MODEL</a></u>	107 / 108
<u><a href="#">LANDCRUISER 80 SERIES &amp; 105 SERIES - OFF ROAD USE ONLY</a></u>	106
<u><a href="#">LANDCRUISER 79 SERIES SINGLE CAB (not 1GR-FE models)</a></u>	129 / 130
<u><a href="#">LANDCRUISER 78 SERIES (not 1GR-FE models)</a></u>	127 / 128
<u><a href="#">LANDCRUISER 76 SERIES WAGON</a></u>	124
<u><a href="#">LANDCRUISER 75 SERIES (not 1GR-FE models)</a></u>	131
<u><a href="#">LANDCRUISER 74 SERIES SWB &amp; MWB</a></u>	133
<u><a href="#">LANDCRUISER 73 SERIES SWB &amp; MWB</a></u>	133
<u><a href="#">LANDCRUISER 70 SERIES SWB &amp; MWB</a></u>	133
<u><a href="#">LANDCRUISER 70 SERIES DUAL CAB (not 1GR-FE models)</a></u>	125 / 126
<u><a href="#">LANDCRUISER 62 SERIES</a></u>	134
<u><a href="#">LANDCRUISER 61 SERIES</a></u>	134
<u><a href="#">LANDCRUISER 60 SERIES</a></u>	134
<u><a href="#">LANDCRUISER 47 SERIES ALL LWB MODELS</a></u>	135

# CONTENTS



	<b>PAGE</b>
<b>SUSPENSION APPLICATIONS</b> (continued)	
TOYOTA (continued).....	
<a href="#"><u>LANDCRUISER 45 SERIES ALL LWB MODELS</u></a>	135
<a href="#"><u>LANDCRUISER 42 SERIES SWB</u></a>	136
<a href="#"><u>LANDCRUISER 40 SERIES SWB</u></a>	136
<a href="#"><u>LANDCRUISER HZJ71 &amp; HZJ74 To 2007 SWB &amp; MWB MODELS</u></a>	132
<a href="#"><u>LANDCRUISER II WAGON LWB</u></a>	132
<a href="#"><u>PRADO 150 SERIES 10/2017 On LWB COIL SPRUNG MODELS ONLY</u></a>	112 / 113
<a href="#"><u>PRADO 150 SERIES 2009 To 9/2017 LWB COIL SPRUNG MODELS ONLY</u></a>	114 / 115
<a href="#"><u>PRADO 150 SERIES 2009 On SWB COIL SPRUNG MODELS ONLY</u></a>	116
<a href="#"><u>PRADO 120 SERIES 4/2003 To 2009 LWB &amp; SWB (not TEMS model)</u></a>	117 / 118
<a href="#"><u>PRADO 90 SERIES To 10/2002 LWB</u></a>	119
<a href="#"><u>TACOMA 2016 On</u></a>	137
<a href="#"><u>TACOMA V6 2005 To 2015</u></a>	138
<a href="#"><u>TACOMA V6 &amp; 4 CYLINDER 1998 To 2004</u></a>	139
<a href="#"><u>TUNDRA 2007 On</u></a>	120
VOLKSWAGEN .....	
<a href="#"><u>AMAROK 2010 On ALL MODELS</u></a>	149
<b>TECHNICAL SPECIFICATIONS</b>	
SUSPENSION BUSH KIT SELECTION .....	150
DIAGRAM REFERENCE FOR SUSPENSION BUSH KITS .....	157
NUMERICAL SPRING & SHOCK / STRUT BUSH APPLICATIONS .....	159
OLD MAN EMU POLYURETHANE SPRING BUSH DIMENSIONS .....	163
SUSPENSION FITTING KITS .....	165
LEAF SPRING SERVICE PARTS .....	174
REPLACEMENT MAIN OR SECOND LEAF .....	179
REPLACEMENT CENTRE BOLTS .....	182
U BOLTS .....	180
LEAF SPRING CENTRE BOLT SLEEVES .....	178
LEAF SPRING SPECIFICATIONS .....	183
COIL SPRING SPECIFICATIONS .....	187
NITROCHARGER SPORT SPECIFICATIONS .....	195
NITROCHARGER SPECIFICATIONS .....	199
SHOCK ABSORBER MOUNT TYPE .....	204
TORSION BAR SPECIFICATIONS .....	204
STEERING STABILISER SPECIFICATIONS .....	205
RECOMMENDED FITTING TIMES .....	206
FIT TIMES BY VEHICLE .....	207

© ARB Corporation Limited, Old Man Emu Division P.O. Box 105 Kilsyth, Vic. 3137 Australia.

All rights reserved. No part of this catalogue may be reproduced or copied in any form or by any means (graphic, electronic or mechanical, including photocopying, recording, taping or information systems) without the written permission of the publisher.

## Terminologies & Explanations

*Please note most suspension development has been carried out on Australian specification models.*

*Therefore, some differences may exist between the same model in another country. Overseas customers will need to make allowances for these possible differences.*

Supplying all items shown on suspension selection charts will ensure the system can be fitted, however, there will be vehicles which will not require all items, eg. trimming kits, caster kits, all U bolts shown, etc. Actual individual vehicle requirements can only be determined when the suspension system is fitted.

**GVM - GROSS VEHICLE MASS:** Set by the vehicle manufacturer and is determined by brake, axle, differential and tyre specifications. Exceeding GVM ratings can have legal and safety implications and is not recommended.

**LOAD RATING - FRONT:** Weights shown are maximum permissible loads with regard to accessories fitted, eg. Bull bar, winch, dual battery, etc.

**LOAD RATING:** The explanations below indicates the passenger and load weights that will provide optimum ride and handling.

**REAR:**

**LIGHT LOAD:** Full passenger load with luggage weights up to 150kg.

**MEDIUM LOAD:** Full passenger load with luggage weight varying from 200kg to 350kg.

**CONSTANT LOAD:** The minimum constant load shown on selection chart is required for optimum spring performance.

Please note: These loads are approximate only. Refer to individual vehicle selection for load specifications.

**LIFT HEIGHT:** Is shown as a guide only and equates to the amount of lift over the vehicle's original ride height. This amount can vary from vehicle to vehicle.

**OE:** Original Equipment, as supplied by the manufacturer of the vehicle.

**SHOCK ABSORBERS:** Where two part numbers are given for the same application the part with the asterisk (\*) indicates the shock absorber with the firmer ride.

**SPRING BUSH:** OME polyurethane spring eye bushes on installation must only be greased in the bore and on the flange area and regularly thereafter with OME polyurethane grease.

**STEERING STABILISER:** Designed as a larger capacity replacement for the OE part and incorporates 50/50 neutral valving.

**CASTER KIT:** The OMECA77B, CALR1 and CALR2 kits consist of 4 eccentric bushes which are pressed into the leading arms of the vehicle. This will induce positive caster into the front geometry.

**LEAF SPRINGS:** A & B springs can be used to compensate for uneven vehicle weight distribution. Springs marked "A" have a greater camber height than springs marked 'B'. 'A' type springs are generally fitted to the driver's side and 'B' springs to the passenger side.

**COIL SPRINGS:** A & B springs are used to compensate for uneven vehicle weight distribution. 'A' type springs are generally higher in free high than the 'B' spring. Individual coil specifications are listed in the back of this publication.

**GEARBOX PACKER KIT:** Designed to space down the gearbox cross member from the chassis to reduce tail shaft flange angle thereby reducing driveline vibration.

**GREASABLE SHACKLES:** Replacement for original shackles allow easy regular greasing of polyurethane spring eye bushes.

**TRIM PACKERS:** The prime purpose of a trim packer is to correct slight vehicle leaning.

**VEHICLES WITH LEAF SPRINGS UNDER SLUNG:** Trim packer when fitted will reduce suspension height.

**VEHICLES WITH LEAF SPRINGS OVER SLUNG:** Trim packer when fitted will increase suspension height.

**VEHICLES WITH COIL SPRINGS:** Polyurethane trim packer main purpose is to correct slight vehicle trimming problems and will increase ride height when fitted.



# NITROCHARGER SPORT SELECTION

## SELECTION ADVICE

Where there is a choice of part numbers it is important the right selection is made with consideration given to type of spring rates and customer applications.

### Firm Valving

The firm part number should be selected whenever heavy rate springs are fitted, as the valving has been specifically developed to control the higher spring rates. The firmer valving will provide better control when cornering, while also preventing axle bounce over rough roads.

If a softer valved selection is fitted with a heavy rate spring the vehicle's rebound handling will be reduced. This will be evident by axle bounce over rough roads, dipping under braking or cornering and wallowing over undulating roads.

### Soft Valving

Valved specifically for light to medium rate springs. Most suitable for customers wanting a comfortable ride and regularly carry light to medium loads. Under full GVM load a slight amount of body roll during cornering and highway speed manoeuvring can occur.

## A RECOMMENDATION FOR CUSTOMERS BUYING 4 REPLACEMENT SHOCK ABSORBERS

By the time a customer has decided to replace the old and well used original shock absorbers there is every chance that the original springs are also ready for replacement.

It should be explained to the customer that if their springs are sagged and tired that this would cause the shock absorbers to work a lot harder.

Therefore, the life expectancy of the shock absorbers will be considerably shortened and, when loaded, ride and handling qualities will also be reduced.

**REMEMBER: A good set of shock absorbers will not overcome a bad set of springs.**

YEAR	VEHICLE DESCRIPTION	OME NITROCHARGER SPORT SHOCKS & STRUTS		STEERING STABILISERS
		FRONT	REAR	
<b>CHRYSLER JEEP</b>				
	Dodge RAM 1500 DS	90044 <sup>11</sup>	*60165 <sup>39</sup> / 60164 <sup>39</sup>	
2018 on	Grand Cherokee WK2	90035 <sup>5</sup> LHS 90036 <sup>5</sup> RHS	60124 <sup>5</sup> / 60125 <sup>5</sup> / 60152 <sup>5</sup> / 60153 <sup>5</sup>	
2016 to 2017	Grand Cherokee WK2	90035 <sup>5</sup> LHS 90036 <sup>5</sup> RHS	60124 <sup>5</sup> / 60125 <sup>5</sup> / 60126 <sup>5</sup> / 60127 <sup>5</sup>	
2011 to 2015	Grand Cherokee WK2	90026 <sup>5</sup>	60124 <sup>5</sup> / 60125 <sup>5</sup> / 60126 <sup>5</sup> / 60127 <sup>5</sup>	
1999 to 2004	Grand Cherokee WJ & WG	60087	60088	
All	Grand Cherokee ZJ	60092	60093	OMESD40
2008 to 2013	Cherokee/Liberty KK All Models	90009 <sup>11</sup>	60069	
2002 to 2007	Cherokee/Liberty KJ All Models (OME Springs)	90009 <sup>11</sup>	60069	
1984 to 2001	Cherokee XJ - Petrol & Diesel	60052	60053	OMESD40 <sup>9</sup>
2018 on	Wrangler JL SWB 3.6L Petrol Engine Model	*60162 / 60160	*60163 / 60161	
	Wrangler JL LWB 3.6L Petrol & 2.2L Diesel Engines			
	Wrangler JL SWB Sport & Rubicon Models	60150 <sup>34, 35</sup>	60151 <sup>34</sup>	
	Wrangler JL LWB Sport & Rubicon Models	60150 <sup>34, 35</sup>	60151 <sup>34</sup>	
2006 to 2017	Wrangler JK All Models Off Road Use ONLY <sup>32</sup>	60066M (mid Length) / 60066L (long)	60067L	OMESD48
	Wrangler JK - All Models	60066	60067	OMESD48
1997 to 2006	Wrangler TJ	*60047 / 60046	*60049 / 60048 <sup>10</sup>	OMESD40 <sup>9</sup>
1986 to 1996	Wrangler YJ	60098	60099	OMESD40
<b>DAIHATSU</b>				
1992 to 1997	Feroza II F310	60040	N/A	
1988 to 1992	Feroza I F300	60040	N/A	
1993 on	Rocky F78 Wide Track	60031	N/A	OMESD31 <sup>12</sup> '86 on
<b>FORD</b>				
2018 on	Everest MY19	*90039 <sup>17</sup> / 90038 <sup>17</sup>	*60145 <sup>16</sup> / 60144 <sup>16</sup>	
2015 to 2018	Everest	*90020 <sup>17</sup> / 90019 <sup>17</sup>	*60145 <sup>16</sup> / 60144 <sup>16</sup>	
	Ranger (USA model only)	90040 <sup>11</sup>	*60157 / 60156	
2018 on	Ranger PXIII	*90038 <sup>23</sup> / 90039 <sup>23</sup>	*60102 / 60101	
			*60101 / 60023	
2011 to 2018	Ranger PXI & PXII	*90020 <sup>13</sup> / 90019 <sup>13</sup>	*60102 / 60101	
			*60101 / 60023	
12/06 to 2011	Ranger PJ/PK All Models	60022 <sup>26</sup>	*60102 / 60023	
2011 to 2017	F250 & F350 Diesel	60123 / 60121 <sup>15</sup>	60122	

Cont.

# NITROCHARGER SPORT SELECTION

## OME NITROCHARGER SPORT SHOCKS & STRUTS

## STEERING STABILISERS

YEAR	VEHICLE DESCRIPTION	FRONT	REAR	
<b>FORD (continued)</b>				
2008 to 2010	F250 & F350 Diesel	60123 / 60121 <sup>15</sup>	60122	
1985 to 2005	Courier/Ranger Pick Up not USA manufactured model	60022 <sup>4</sup>	60023	
1987 to 1993	Raider Wagon	60022	60023	
All	Maverick Wagon & Hard Top	*60013 / 61012	*60015 <sup>39</sup> / 61014 <sup>39</sup>	To 8/89 OMESD34 9/89 on OMESD36
<b>HOLDEN/GM/ISUZU/CHEVROLET/GMC</b>				
2017 on	Trailblazer	*90023 <sup>17</sup> / 90022 <sup>17</sup>	*60131 <sup>18</sup> / 60130 <sup>18</sup>	
2013 on	MU-X	*90023 <sup>17</sup> / 90022 <sup>17</sup>	*60131 <sup>18</sup> / 60130 <sup>18</sup>	
2013 to 2016	Colorado 7	*90023 <sup>17</sup> / 90022 <sup>17</sup>	*60131 <sup>18</sup> / 60130 <sup>18</sup>	
2015 on	GMC/Colorado / Canyon Gas & Diesel Engines (USA)	*90037 <sup>37</sup>	60148 <sup>37</sup> / 60149 <sup>37</sup>	
2012 on	GM Pick Up Models - Colorado	*90023 <sup>13</sup> / 90022 <sup>13</sup>	*60117 / 60116	
2008 to 2011	GM/Isuzu Pick Up Models Colorado RC / DMAX	60031	*60064 / 60032	
2021 on	Isuzu Pick Up Models - DMAX	*90046 <sup>13</sup> / 90045 <sup>13</sup>	*60168 / 60167	
2012 to 2020	Isuzu Pick Up Models - DMAX	*90023 <sup>13</sup> / 90022 <sup>13</sup>	*60117 / 60116	
2003 to 2011	Rodeo Pick Up RA Models	60031	*60064 / 60032	
7/81 to 2003	Rodeo/Isuzu Pick Up KB4, KBD4 & TFS	60031	60064 / 60032	
1992 to 2004	Jackaroo/Trooper & Monterey (Isuzu Wagon)	60031	60074	
11/86 to 3/92	Jackaroo/Trooper	60031	*60063 <sup>8</sup> / 60009 <sup>8</sup> *60064 / 60032	
1982 to 10/86	Jackaroo/Trooper	60031	*60064 / 60032	
99 to 6/2003	Frontera Wagon	60031	N/A	
1995 to 1998	Frontera UT	60031	60074	
<b>HUMMER</b>				
7/2007 on	H3	90001	60045	
<b>HYUNDAI</b>				
To 4/1991	Galoper (Rear Leaf Springs)	60051	*60036 / 60057	
1989 to 5/91	Galoper (Rear Coil Springs) NF & NG	60051	60056	
2001 on	Terracan V6	60040	60060	
2005 on	Terracan Diesel	60040	60060	
<b>LAND ROVER</b>				
1999 to 2004	Discovery Series II (Not Suitable for Airbag Models)	60024	60025 / 60026	OMESD02
1991 to 1999	Discovery Series I	60037	60039 / 60038 60147 <sup>29</sup> / 60146 <sup>29</sup>	OMESD11
To 5/1995	Range Rover (Not Suitable for Airbag Models)	60037	60039 / 60038 60147 <sup>29</sup> / 60146 <sup>29</sup>	OMESD11
1984 on	Defender 110	60037 <sup>28,29</sup>	60039 / 60038 60147 <sup>33</sup> / 60146 <sup>33</sup>	OMESD32
	90 Series	60037 <sup>28,29</sup>	60039 / 60038 60147 <sup>33</sup> / 60146 <sup>33</sup>	OMESD32
	Defender 130	60037 <sup>28,29</sup>	60039 60147 <sup>33</sup>	OMESD32
	Defender & County 110	*60070 <sup>27,29</sup> / 60018 <sup>27,29</sup>	*60070 <sup>27</sup> / 60018 <sup>27</sup>	OMESD32
<b>MAZDA</b>				
2021 on	Mazda BT50	*90046 <sup>13</sup> / 90045 <sup>13</sup>	*60168 / 60167	
2011 to 2020	Mazda BT50	*90020 <sup>13</sup> / 90019 <sup>13</sup>	*60101 / 60023 *60102 / 60101	
2006 to 2011	Mazda BT50 All Models	60022 <sup>4</sup>	*60102 / 60023	
1987 to 2006	B2600 Pick Up All Models	60022 <sup>4</sup>	60023	
<b>MERCEDES</b>				
	G-Wagon G350 Bluetech / G55 AMG Models	60113	60114	
<b>MITSUBISHI</b>				
2015 on	Pajero Sport All Diesel Models	90008 <sup>19</sup>	*60075 / 60076	
2007 on	Pajero All LWB Models	*90007 <sup>13</sup> / 90006 <sup>13</sup>	60033 / 60019	
2007 on	Pajero All SWB Models	90007 <sup>13</sup> / 90006 <sup>13</sup>	60033 / 60019	
2000 to 10/06	Pajero All LWB Models	*90007 <sup>13</sup> / 90006 <sup>13</sup>	60033 / 60019	
4/00 to 2006	Pajero/Montero NS, NM, NP & NT LWB & SWB	90007 <sup>13</sup> / 90006 <sup>13</sup>	60033 / 60019	
91 to 3/2000	Pajero/Montero (R Coil Springs) NH, NJ, NK, NL (S/LWB)	60040	60041	
	Pajero/Montero (R Leaf Springs) NH, NJ, NK, NL (S/LWB)	60040	*60036 / 60057	
1989 to 5/91	Pajero/Montero Sport (Rear Coil Springs) NF & NG	60051	60056	

Cont.

# NITROCHARGER SPORT SELECTION

## OME NITROCHARGER SPORT SHOCKS & STRUTS

## STEERING STABILISERS

YEAR	VEHICLE DESCRIPTION	FRONT	REAR	
<b>MINI</b>				
<b>MINI (continued)</b>				
To 4/1991	Pajero/Montero (Rear Leaf Springs) NA, NB, NC, ND, NE, NF & NG	60051	*60036 / 60057	
2009 to 2015	Challenger/Montero Sport KH	90008 <sup>13</sup>	*60075 / 60076	
2000 to 2008	Challenger/Montero Sport (Rear Coil Springs) LWB	60040	60059	
1998 to 2000	Challenger V6/Montero Sport (R Leaf Springs) Wagon PA	60040	*60036 / 60057	
2018 on	Triton/L200 MR	90031 <sup>19</sup> / 90033 <sup>19</sup>	*60140 <sup>20</sup> / 60139 *60139 / 60138	
2015 to 2018	Triton/L200 MQ All 4x4 Models	90031 <sup>19</sup> / 90033 <sup>19</sup>	*60140 <sup>20</sup> / 60139 *60139 / 60138	
7/06 to 2015	Triton/L200 ML & MN All Models	90008 <sup>13</sup>	60036	
10/96 to 6/06	Triton/L200 MK All Models	60040	60050	
1993 to 9/96	Triton/L200 MJ All Models	60051	60058	
<b>91 to 8/96</b>	<b>Triton/L200 V6 (OE Springs)</b>	<b>60051</b>	<b>60057</b>	
10/86 to 1993	Triton/L200 (V6 & 4 Cylinder) ME, MF, MG, MH	60051	60058	
To 1986	L200 MA, MB, MC & MD	60051	60058	
To 9/1986	L300 Vans SA, SB, SC & SD	60051	60032	
<b>NISSAN</b>				
2010 on	Patrol Y62 (Non HBMC Models)	*90015 <sup>11</sup> / 90014 <sup>11</sup>	60084	
02/2000 on	Patrol Y61 (GU) SWB & Wagon	60013 / 61012	60015 / 61014 <sup>3</sup>	OMESD01
1997 on	Patrol Y61 (GU) LWB Off Road Use ONLY <sup>31,32</sup>	60013L	60015L	1/00 on OMESD01 pre 1/00 OMESD11
1997 on	Patrol Y61 (GU) CC (Coil Front/Leaf Spring Rear)	60055	60054	OMESD11
	Patrol Y61 (GU) Cab Chassis (All Coil Springs)	60013 / 61012	60015 / 61014 <sup>3</sup>	OMESD11
1997 to 1/00	Patrol Y61 (GU) Wagon & SWB	60013 / 61012	60015 / 61014 <sup>3</sup>	OMESD11
9/1989 on	Patrol Y60 (GQ) Wagon, SWB & Cab Chassis	60013 / 61012	60015 / 61014	OMESD36
To 8/1989	Patrol Y60 (GQ) Wagon & SWB	60013 / 61012	60015 / 61014	OMESD34
9/1989 on	Patrol Y60 (GQ) LWB, SWB & CC Suits LPG Conversion	60013 / 61012	61014	OMESD36
To 8/1989	Patrol Y60 (GQ) Wagon & SWB Suits LPG Conversion	60013 / 61012	61014	OMESD34
From 1988	Patrol Y60 (GQ) LWB Off Road Use ONLY <sup>31,32</sup>	60013L	60015L	8/89 on OMESD36
				Pre 8/89 OMESD34
1988 to 7/97	Patrol Y60 (GQ) Ute & Cab Chassis (Leaf Springs)	60068	60054	OMESD22
2005 to 2014	Pathfinder R51 (not USA manufactured model)	90003 <sup>13</sup>	60016	
1986 to 8/95	Pathfinder/Terrano WD21	60031	*60064 / 60032	OMESD35 <sup>12</sup>
2005 on	Navara D40 / Frontier (USA)	90003 <sup>13</sup>	*60110 / 60017	
2019 on	Navara D23 NP300 (Leaf Spring Rear)	90032 <sup>13</sup>	*60135 / 60134	
Series 4 & 5	Navara D23 NP300 (Coil Spring Rear)	90032 <sup>13</sup>	*60137 <sup>6</sup> / 60136 <sup>6</sup>	
2015 to 2018	Navara D23 NP300 (Leaf Spring Rear)	90032 <sup>13</sup>	*60135 / 60134	
Series 1, 2, 3	Navara D23 NP300 (Coil Spring Rear)	90032 <sup>13</sup>	*60137 <sup>6</sup> / 60136 <sup>6</sup>	
2008 to 2014	NP300 All Models	60034 <sup>2</sup>	60035	
10/2002 on	Navara D22 All Models	60034 <sup>2</sup>	60035	
1/86 to 8/02	Navara D21 & D22 Pick Up	60021 <sup>2</sup>	60035	OMESD35 <sup>12</sup>
1/1986 on	Navara D21 & D22 Pick Up 4x2	60040 <sup>2</sup>	N/A	
1980 to 1985	720 Ute & Cab Chassis	60040 <sup>2</sup>	*60064 / 60032	
1996 to 2005	Terrano II R20	60031 <sup>2</sup>	60058	
1996 to 1999	Terrano II 4x4 (European Models)	60031	60058	
2005 on	Xterra	90003 <sup>13</sup>	60017 <sup>14</sup>	
<b>SSANGYONG</b>				
1995 to 2005	Musso, Sport Utility & Korando Models	60031	N/A	
<b>SUZUKI</b>				
2009 on	Equator (US Market Only)	90003 <sup>13</sup>	60017	
2018 on	Jimny (4th Gen) 4 Cylinder 1.5L Petrol Engine All Models	60154	60155 <sup>38</sup>	
<b>TOYOTA</b>				
2007 on	LandCruiser 200 Series V8 Not AHC Models	91005 <sup>13,40</sup> / 90017 <sup>13,40</sup>	61030 <sup>1</sup> / 61029 <sup>1</sup>	
3/1998 on	LandCruiser 100 Series (IFS) Not AHC Models	*60001 / 60000	*60003 <sup>1</sup> / 60002 <sup>1</sup>	
From 04/90	LandCruiser 105 & 80 Series (Front Live Axle)	*60070 / 60018	60071 <sup>1</sup> / 60020 <sup>1</sup>	OMESD24
	LC 105 & 80 Series (Front Live Axle) LPG conversion	*60070 / 60018	60020 <sup>1</sup>	OMESD24
	LandCruiser 80 & 105 Series Off Road Use ONLY <sup>31,32</sup>	60018L / 60070L	60020L / 60071L	OMESD24
4/90 to 1998	LandCruiser 80 Series	*60070 / 60018	60071 <sup>1</sup> / 60020 <sup>1</sup>	OMESD24
2009 on	Prado 150 Series LWB (Coil Spring Models Only)	90010 <sup>13</sup>	*60081 <sup>1</sup> / 60080 <sup>1</sup>	
	Prado 150 Series SWB (Coil Spring Models Only)	*90010 <sup>13</sup> / 90016 <sup>13</sup>	*60080 <sup>1</sup> / 60086 <sup>1</sup>	

Cont.

# NITROCHARGER SPORT SELECTION

## OME NITROCHARGER SPORT SHOCKS & STRUTS

## STEERING STABILISERS

YEAR	VEHICLE DESCRIPTION	FRONT	REAR	
<b>TOYOTA (continued)</b>				
4/2003 to 09	Prado 120 Series LWB & SWB (Not TEMS/Grande Models)	*90000 <sup>13</sup> / 90021 <sup>13</sup>	*60005 <sup>1</sup> / 60004 <sup>1</sup> *60004 <sup>1</sup> / 60112 <sup>1</sup>	
7/96 to 10/02	Prado 95 & KZJ90 Series	90004	*60027 <sup>1</sup> / 60028 <sup>1</sup>	
2007 on	LandCruiser 78 & 79 Series SC 6 Cyl. Petrol, Diesel & V8 Diesel Models Not 1GR-FE Models	60008	60011 / 60010 / 60109	OMESD47
1999 to 2006	LandCruiser 78 & 79 Series SC - 6 Cylinder Petrol & Diesel Models Not 1GR-FE Models	60008	60011 / 60010 / 60109	OMESD24
2007 on	LandCruiser 76 Series Wagon - V8	60008	*60111 <sup>1</sup> / 60011 <sup>1</sup> / 60010 <sup>1</sup>	OMESD47
1985 to 1999	LandCruiser 75 Series Not 1GR-FE Models	60063 / 60009	60011 / 60010	OMESD24
All	LandCruiser 70 Series Dual Cab Not 1GR-FE Models	60008	60109 / 60010 / 60011	OMESD24 6 Cyl. OMESD47 V8 Dsl.
1985 on	LandCruiser 70, 73 & 74 Series SWB & MWB	60009	60062	OMESD24
To 2007	LandCruiser HZJ71 & HJZ74 Series SWB & MWB	60008	60044	OMESD24
All	LandCruiser II Wagon LWB	60089	60090	
1984 to 1990	Bundera RJ70	60094	60096 RHS	60095 LHS
1986 to 3/90	LandCruiser 60,61 & 62 Series (Rear Lower Pin 19mm)	60063 / 60009	*60065 / 60062	OMESD24
1980 to 1986	LandCruiser 60 Series (Rear Lower Pin 16mm)	60063 / 60009	*60064 / 60032	OMESD24
All	LandCruiser 45 - 47 Series All LWB Models	60097	60064 / 60032	OMESD23
	LandCruiser 40 - 42 Series SWB	60097	*60064 <sup>21</sup> / 60032 <sup>21</sup>	OMESD23
2010 on	FJ Cruiser	*90010 <sup>13</sup> / 90016 <sup>13</sup>	*60081 <sup>1</sup> / 60080 <sup>1</sup> *60080 <sup>1</sup> / 60086 <sup>1</sup>	
2006 to 2010	FJ Cruiser	*90000 <sup>13</sup> / 90021 <sup>13</sup>	*60004 <sup>1</sup> / 60112 <sup>1</sup> 60081 <sup>1</sup>	
2015 on	Fortuner	90028 <sup>13</sup> / 90029 <sup>13</sup>	60141 <sup>22</sup> / 60142 <sup>22</sup>	
2004 to 2015	Fortuner	*90002 <sup>13</sup> / 90011 <sup>13</sup>	60078 / 60077	
2015 on	HiLux All Models	90028 <sup>13</sup> /90029 <sup>13</sup>	*60133 / 60132	
2005 to 2015	HiLux Vigo KUN26R, GGN25R	*90002 <sup>13</sup> /90011 <sup>13</sup>	60007 / 60006	
9/97 to 2004	HiLux Tiger LN172, LN167, KZN165, RZN174 & RZN169 (IFS)	60042	60044 LHS	60043 <sup>7</sup> RHS
9/83 to 8/97	HiLux LN65, YN65, LN106 & RN105 (All Leaf Suspension)	60061	*60065 / 60062	OMESD21
To 8/1983	HiLux LN46 & RN46 (All Leaf) (Rear Lower Pin 16mm)	60061	*60064 / 60032	OMESD21
1988 to 8/97	HiLux/4 Runner LN107, RN105, RN110 & LN111 (IFS)	60072	60065	OMESD33
To 1997	HiLux (IFS) Rear Leaf Springs	60072	60065	OMESD33
2016 on	Tacoma	*90000 <sup>13</sup> / 90021 <sup>13</sup>	60091	
2005 to 2015	Tacoma V6	*90000 <sup>13</sup> / 90021 <sup>13</sup>	60091	
1998 to 2004	Tacoma V6 & 4 Cylinder Models	90004	*60065 / 60062	
2007 on	Tundra	90018 <sup>11</sup>	60100	
2010 on	4 Runner (USA)	90010 <sup>13</sup>	*60081 <sup>1</sup> / 60080 <sup>1</sup>	
2003 to 2010	4 Runner (USA)	90000 <sup>13</sup>	*60005 <sup>1</sup> / 60004 <sup>1</sup>	
1996 to 2002	4 Runner/Surf Front & Rear Coil Springs (USA)	90004	*60027 / 60028	
1990 to 1996	4 Runner (IFS) Front Torsion Bar/Rear Coil Springs	60072	60073	OMESD33
9/83 to 8/97	4 Runner (All Leaf Suspension)	60061	*60065 / 60062	OMESD21
To 8/1983	4 Runner (All Leaf Suspension) (Rear Lower Pin 16mm)	60061	*60064 / 60032	OMESD21
1986 to 1990	4 Runner (IFS) Rear Leaf Springs	60072	60065	OMESD33
<b>VOLKSWAGEN</b>				
2010 on	Amarok 4 Cylinder Diesel	90013 <sup>23,24,30,36</sup> / 90012 <sup>23,24,30,36</sup>	60083 <sup>25</sup> / 60082 <sup>25</sup>	
	Amarok V6 Diesel	90013 <sup>23,24,30,36</sup>	60083 <sup>25</sup> / 60082 <sup>25</sup>	

**NOTES:** \*first part number has firmer valving.

- Shock lower body stone guards are recommended fitment to rear shocks to protect against severe stone peppering encountered on loose road surfaces. OME661 (suits Sorento BL To 09, FJ Criser 06 On, 4 Runner 10 On & 03 to 10 USA models, LandCruiser 76 LWB, 80, 100, 105, 200 Series, Prado 150 09 on coil sprung not Kakadu, 120 Series 10/02 to 09 not TEMS & Prado 90 Series to 10/2002 LWB). OME662 (suits LandCruiser 105 & 80 Series with 34mm diameter Control Arm, 100 Series IFS AHC with 40mm diameter Control Arm). OME660 (suits all other models).
- It may be necessary to slightly increase the clearance in the front wishbone to allow the shock absorber to fit. Do not modify the shock absorber.
- FK18 rear sway bar extension bracket for LWB Models and FK24 for SWB Models are **mandatory** fitments with Nitrochargers to prevent damage to sway bar due to increased wheel drop.
- FK22 support brackets must be installed to upper shock mounting brackets on late 1996 on models manufactured in Thailand.
- Original struts and OME coils cannot be used together. No top mounting bushes and dirt shield supplied, re-use OE bushes and dirt shield.
- Sway Bar/Brake Fitting Kit FK85 is **required** when fitting all OME rear shocks.

Cont.

# NITROCHARGER SPORT SELECTION

**NOTES:** - (cont.) - \*first part number has firmer valving.

7. 60043 is 20mm longer and must only be installed to right hand side.
8. OMEB11 bush kit is required to convert lower 19mm bush to 16mm ID.
9. OMESD40 will only fit left hand drive models.
10. FK16 20mm bump stop spacer kit is a **mandatory** fitment.
11. No top mounting bushes supplied, re-use OE bushes. Where required, re-use OE Top Hat, Dirt Shield and Bump Stop.
12. When remaining stock is exhausted no further product will be available.
13. No top mounting bushes supplied, refer to vehicle specific application to select relevant upper strut bushes. OE bushes may be re-used if in good condition.
14. FK42 is a **mandatory** fitment to space sway bar link away from shock absorber.
15. OME front shock 60121 is not suitable as an OE replacement. When fitting our longer OME shock 60121 you must fit: FK71 brakeline kit to extend/drop the brakelines, FK72 sway bar kit to lower the front swaybar, FK70 radius arm drop bracket kit to 11 to 17 models, FK80 to 08 - 10 models as if not fitted you may over stretch the front brakelines.
16. Re-use rear OE top damper forged bracket, bushes, dirt shield, bumpstops and fasteners for the assembly of the rear shock.
17. No top mounting bushes supplied use OME3133 / OME3134 / OME3135, vehicle specific refer to vehicle selection page. OE bushes may be re-used if in good condition. OME struts can only be installed with OME coils.
18. 60130 and 60131 **cannot** be used as a shock only OE replacement on Colorado 7/Trailblazer Models. Can be used as an OE replacement for Isuzu MU-X.
19. No top mounting bushes supplied use OME3121. OE bushes may be re-used if in good condition. No dirt shield supplied, please re-use OE.
20. Shock absorber 60140 is suited for constant rear loading in excess of 800kgs.
21. 1975 and newer FJ40's may need to use N76 shocks in rear: Pre 1975 shock eye in the top of the axle housing use N89 <sup>1</sup>/<sub>4</sub>/N95 <sup>1</sup>/<sub>4</sub>/60032/60064. Post 1975 lower shock eye is below leaf spring use N76 with OMEB11 Bush Kit.
22. FK29 Rear Driveshaft Spacer is a **mandatory** fitment.
23. Top mount bump stop and bushes not supplied, re-use OE items.
24. For trimming purposes only, maximum 1 packer per strut.
25. OME665 Lower Shock Mount Stone Guard is **mandatory** fitment to rear shocks to protect against severe stone peppering encountered on loose road surfaces.
26. FK22 Front Shock Absorber Upper Mount Support Bracket Kit is a **mandatory** fitment.
27. When fitting 60018 / 60070 it is **mandatory** to fit longer coils 3062 - 3066 for springs to remain trapped with shocks fully extended, fit FK62 to prevent shock damage, fit FK63 for front driveshaft clearance and rear extended travel, fit FK64 which replaces OE upper shock mount when fitting rear shocks and remove any inner helper coils already fitted. **Caution:** Front driveshaft **MUST** be replaced / modified with Double Cardan Joints and checked for Uni bind with OME shocks installed at droop.
28. Caution: Due to altered gearbox mounts on models after 1998 any lift above OE ride height may cause front driveline vibration that can only be rectified by fitment of front Double Cardan Joints.
29. Caster Kit will increase caster angle by 2°. Check manufacturer's specifications to determine if Caster Kit is required. CALR1 suits 38mm wide control arms. CALR2 suits 44mm wide control arms.
30. Volkswagen Service Manual quotes that driveshaft bolts are a one use only. It is recommended to replace bolts. Replacement bolts Volkswagen Part Number N90991102 are to be sourced separately.
31. Suits 75mm and 100mm coils
32. Vehicle specific, refer to vehicle selection page for full details and to review **important** notification regarding modifications for off road use only along with warranty implications.  
JK Wrangler: refer page 39      Patrol GU Y61 & GQ Y60: refer page 84      LandCruiser 80 & 105 Series: refer page 106
33. For high articulation vehicles it is recommended to replace rear upper shock mount with FK64 and matching shock absorbers 60146 or 60147
34. Fitment of FK92 and FK93 are **mandatory**.
35. Fitment of LCAJLFR Front Lower Control Arm is **required** to restore wheel alignment castor settings.
36. To ensure correct 90012 and 90013 strut fitment please refer to fitting instruction part number 3787896 Amarak Strut Fitting Guide.
37. For front fitment reuse OE Top hat and Mounting Bushes. For rear fitment UBolts, Rear Spring Bush Kits and Leaf Spring Bolt Fitting Kit are additional requirements. Extra Leaf, Trim Packer and Centre Bolt are optional. Refer to the vehicle selection page for full details.
38. Headlight Sensor Fitting Kit FK97 is required when fitting all OME extended travel rear shock absorbers.
39. Workshop tool FK102 **recommended** for rear shock fitment.
40. OME coils and struts can only be installed together due to different winding of the lower coil end to suit the OME coil seat. They are not compatible with the OE coil seat. Due to the nature of the KDSS. Models fitted with KDSS may experience a characteristic 10mm to 15mm lean to the front right hand side.

# NITROCHARGER SPORT SELECTION

NITROCHARGER SPORT L SERIES						
Vehicle	Front	Open (mm)	Closed (mm)	Rear	Open (mm)	Closed (mm)
Jeep JK (Middle Front)	60066L	693	404	60067L	706	422
	60066M	646	382	n/a	n/a	n/a
Jeep XJ	60052L	678	392	60053L	622	366
Jeep TJ	60047L	678	392	60049L	622	366
Patrol Y60, Y61	60013L	555	322	60015L	716	426
LandCruiser 80, 100	60070L	667	381	60071L	673	387
	60018L	667	381	60020L	673	387
Discovery I to 99	60037L	593	349	60039L	600	366
Discovery II to 04	60024L	627	388	60025L	627	388
Defender 90, 110, 130	60037L	593	349	60039L	600	366
Range Rover to 5/95 Non Airbag Models	60037L	593	349	60039L	600	366

REPLACEMENT NITROCHARGER SPORT DIRT SHIELDS	PART NUMBER
Nitrocharger Dust Boot - Black	OME512422
Nitrocharger Dust Boot - Yellow	OME412422
Sports Dirt Shield - Strut	141-032-027
Sports Dust Boot - Black	141-032-028
Hard Sport Dirt Shield      170mm long	384006170
Hard Sport Dirt Shield      210mm long	384006210
Hard Sport Dirt Shield      250mm long	384006250
Hard Sport Dirt Shield      290mm long	384006290

Note: The last 3 numbers of the part number indicates the length of the dirt shield.

## Remarks:

Refer to page 195 to 198 of the OME International Application Catalogue for open and closed lengths of equivalent standard Nitrocharger Sport models.

## Warranty Implications

The fitter selling these shocks **must** inform the customer there is **no warranty** due to the severe nature of competition racing. The fitter must also note on the customer's receipt "racing application no warranty applies". This will prevent any future misunderstanding.

# NITROCHARGERS & STEERING STABILISERS

## SHOCK ABSORBER SELECTION ADVICE

Where there is a choice of part numbers it is important the right selection is made with consideration given to type of spring rates and customer applications.

### Firm Valving

The firm part number should be selected whenever heavy rate springs are fitted, as the valving has been specifically developed to control the higher spring rates. The firmer valving will provide better control when cornering, while also preventing axle bounce over rough roads.

If a softer valved selection is fitted with a heavy rate spring the vehicle's rebound handling will be reduced. This will be evident by axle bounce over rough roads, dipping under braking or cornering and wallowing over undulating roads.

### Soft Valving

Valved specifically for light to medium rate springs. Most suitable for customers wanting a comfortable ride and regularly carry light to medium loads. Under full GVM load a slight amount of body roll during cornering and highway speed manoeuvring can occur.

## A CAUTION FOR CUSTOMERS BUYING 4 REPLACEMENT SHOCK ABSORBERS

By the time a customer has decided to replace the old and well used original shock absorbers there is every chance that the original springs are also ready for replacement.

It should be explained to the customer that if their springs are sagged and tired that this would cause the shock absorbers to work a lot harder.

Therefore, the life expectancy of the shock absorbers will be considerably shortened and when loaded ride and handling qualities will also be reduced.

**REMEMBER: A good set of shock absorbers will not overcome a bad set of springs.**

YEAR	VEHICLE DESCRIPTION	OME NITROCHARGERS, STRUTS & CARTRIDGES		STEERING STABILISERS
		FRONT	REAR	
<b>CHRYSLER JEEP</b>				
2006 to 2010	Comander XK	*N219S/N188S	*N220/N190	
2008 to 2013	Cherokee/Liberty KK ALL Models	NS131 <sup>16,18</sup>	N132 <sup>18</sup>	
2002 to 2007	Cherokee/Liberty KJ ALL Models (OME Springs)	*NS131 <sup>16,18</sup> /NS130 <sup>16,18</sup>	N132 <sup>18</sup>	
2006 to 2010	Grand Cherokee WH & WK	*N219S/N188S <sup>16</sup>	*N220/N190	
1998 to 2005	Grand Cherokee WJ & WG	N111 <sup>11,18</sup>	N117 <sup>18</sup>	
1993 to 1998	Grand Cherokee ZJ - 6 cylinder & V8 engines	*N39 <sup>18</sup>	See Sport Selection	OMESD40 <sup>10</sup>
1984 to 2001	Cherokee XJ - Petrol & Diesel	See Sport Selection	See Sport Selection	OMESD40 <sup>10</sup>
To 1986	Cherokee Wagon & J10 Ute (Full Size)	N41 <sup>1,18</sup>	See Sport Selection	
1974 to 1986	Cherokee W10 & J20 Utes and Cab Chassis	N41 <sup>1,18</sup>	N43	
To 1986	CJ5, 6, 7, & 8	*N41 <sup>18</sup> /N81 <sup>1</sup>	-	
2006 to 2017	Wrangler JK - All Models	See Sport Selection	N198 <sup>18</sup>	OMESD48
1997 to 2006	Wrangler TJ	*N66 <sup>18</sup> /N66C <sup>18</sup>	See Sport Selection	OMESD40 <sup>10</sup>
1986 to 1996	Wrangler YJ	N33	See Sport Selection	OMESD40 <sup>10</sup>
<b>DAIHATSU</b>				
1992 to 1997	Feroza II F310	N18 <sup>18</sup>	*N49/N96	
1988 to 1992	Feroza I F300	N18 <sup>18</sup>	N43	
1993 on	Rocky F78 Wide Track	-	N33	OMESD31 <sup>18</sup> '86 on
1984 to 8/93	Rocky F70, F75, F80 & F85 Hard Top with Leaf Springs	OME027 <sup>18</sup>	N43	OMESD31 <sup>18</sup> '86 on
1984 to 1993	Rocky F77 & 78 Tray Top with Leaf Springs	OME027 <sup>18</sup>	*N48/N97	
All	Scat Hard Top	*N41 <sup>18</sup> /N81	*N48/N97	
<b>FORD</b>				
2006 to 2011	Ranger PJ All Models	N194 <sup>6,18</sup> /N187 <sup>6,18</sup>	See Sport Selection	
1985 to 2005	Courier/Ranger 1 Tonne not USA manufactured model	N51 <sup>7,18</sup>	See Sport Selection	
To 2001	Explorer 4x4 Only	N16	N17	
2005 to 2008	Ford F250 & F350	N195	N179	
1999 to 2004	Ford F250 & F350	N178	N179+N180 <sup>9</sup>	
1987 to 1993	Raider Wagon	N51 <sup>18</sup>	-	
All	Maverick Wagon & Hard Top	N23F <sup>18</sup>	See Sport Selection	To 8/89 OMESD34 9/89 on OMESD36
	Maverick Ute & Cab Chassis	See Sport Selection	N25 <sup>18</sup>	OMESD22
1981 to 1989	Bronco (Single I Beam Front End)	-	N42 <sup>3,18</sup>	
	Bronco (Dual I Beam Front End)	-	N42 <sup>3,18</sup>	
	F100 4x4 & 4x2 (Single I Beam)	-	N42 <sup>3,18</sup>	
<b>HOLDEN/ISUZU/CHEVY</b>				
2008 to 2011	GM/Isuzu Pick up - Colorado RC/DMAX Diesel Models	See Sport Selection	*N42 <sup>18</sup> /N89 <sup>18</sup>	

Cont.

# NITROCHARGERS & STEERING STABILISERS

## OME NITROCHARGERS, STRUTS & CARTRIDGES

## STEERING STABILISERS

YEAR	VEHICLE DESCRIPTION	FRONT	REAR	
<b>HOLDEN/ISUZU/CHEVY (continued)</b>				
2008 to 2011	GM/Isuzu Pick up - Colorado V6/DMAX Petrol	See Sport Selection	*N42 <sup>18</sup> /N89 <sup>18</sup>	
2003 to 2011	Rodeo Pick Up - RA Models	See Sport Selection	*N42 <sup>18</sup> /N89 <sup>18</sup>	
2003 to 2008	Rodeo Pick Up - RA & RA7 Models	See Sport Selection	*N42 <sup>18</sup> /N89 <sup>18</sup>	
7/81 to 2003	Rodeo/Isuzu Pick Up KB4, KBD4 & TFS	See Sport Selection	*N42 <sup>18</sup> /N89 <sup>18</sup>	
1992 to 2004	Jackaroo/Trooper & Monterey (Isuzu Wagon)	See Sport Selection	See Sport Selection	
11/86 to 3/92	Jackaroo/Trooper	See Sport Selection	*N42 <sup>18</sup> /N89 <sup>18</sup>	
1982 to 10/86	Jackaroo/Trooper	See Sport Selection	*N42 <sup>18</sup> /N89 <sup>18</sup>	
99 to 6/2003	Frontera Wagon	See Sport Selection	N102	
1995 to 1998	Frontera 2 & 4 Door UT	See Sport Selection	See Sport Selection	
<b>1985 to 1987 Drover QB (OE Springs)</b>		<b>OME025</b>	-	OMESD30
1985 to 1987	Drover QB (OME Springs Fitted)	OME015 <sup>18</sup>	OME013	OMESD30
<b>KIA</b>				
2006 to 2009	Sorento All BL Models	N147S + N148S <sup>16</sup>	N205	
03 to Late 06	Sorento All Models	N147S + N148S <sup>16</sup>	N149	
<b>LAND ROVER</b>				
1999 to 2004	Discovery Series II (Not Suitable for Air Bag Models)	*N107 <sup>18</sup>	N108 <sup>18</sup>	OMESD02
1991 to 1999	Discovery Series I	N45F <sup>18</sup>	See Sport Selection	OMESD11
1994 to 2001	Range Rover MK II P38A Models	N176 <sup>14</sup>	N177 <sup>14</sup>	
To 5/1995	Range Rover (Not Suitable for Air Bag Models)	N45F <sup>18</sup>	See Sport Selection	OMESD11
1984 on	Defender / County 110 & 130	N45F <sup>18</sup>	See Sport Selection	OMESD32
	Defender / County 90	N45F <sup>18</sup>	See Sport Selection	OMESD32
To 1984	Land Rover Series I, II & III (80" & 109")	N78	N69	OMESD11
	Land Rover Series II & III (88" SWB)	N78	N90 <sup>18</sup>	OMESD11
<b>MAHINDRA</b>				
1990 to 1993	Bushranger & Stockman CJ340	*N41 <sup>18</sup> /N81 <sup>1</sup>	*N41 <sup>18</sup> /N81 <sup>1</sup>	
<b>MAZDA</b>				
06 to 2011	Mazda BT50 All Models	*N194 <sup>6,18</sup> /N187 <sup>6,18</sup>	See Sport Selection	
1987 to 2006	B2600 Pick Up All Models	N51 <sup>6,18</sup>	See Sport Selection	
<b>MITSUBISHI</b>				
2015 on	Pajero Sport All Diesel Models	N186S <sup>18,19</sup>	See Sport Selection	
4/2000 on	Pajero/Montero SWB NS, NM, NP & NT (3.2 Diesel)	See Sport Selection	See Sport Selection	
	Pajero/Montero SWB NS, NM, NP & NT Wagon & Hard Top (V6)	See Sport Selection	See Sport Selection	
1991 to 3/00	Pajero/Montero (Rear Coil Springs) NH, NJ, NK & NL	N18 <sup>18</sup>	N64 <sup>18</sup>	
	Pajero/Montero (Rear Leaf Springs) NH, NJ, NK & NL	N18 <sup>18</sup>	See Sport Selection	
1989 to 5/91	Pajero/Montero (Rear Coil Springs) NF & NG	See Sport Selection	See Sport Selection	
To 4/1991	Pajero/Montero (Rear Leaf Springs) NA, NB, NC, ND, NE, NF & NG	See Sport Selection	See Sport Selection	
2009 to 2015	Challenger/Montero Sport KH	N186S <sup>18,19</sup>	See Sport Selection	
2000 to 2008	Challenger/Montero Sport (Rear Coil Springs)	See Sport Selection	See Sport Selection	
1998 to 2000	Challenger/Montero Sport (Rear Leaf Springs)	See Sport Selection	See Sport Selection	
7/06 to 2015	Triton/L200 ML & MN All Models	N186S <sup>18,19</sup>	N59 <sup>18</sup>	
10/96 to 6/06	Triton/L200 MK All Models	N18 <sup>18</sup>	N30E <sup>18</sup>	
<b>1991 to 8/96 Triton/L200 V6 (OE Springs)</b>		<b>See Sport Selection</b>	<b>N30E<sup>18</sup></b>	
1991 to 8/96	Triton/L200 (V6) MH & MJ	See Sport Selection	See Sport Selection	
1986 to 8/96	Triton/L200 (4 Cylinder) ME, MF, MG, MH & MJ	See Sport Selection	See Sport Selection	
To 1986	L200 MA, MB, MC & MD	See Sport Selection	See Sport Selection	
To 9/1986	L300 Vans SA, SB, SC & SD	See Sport Selection	N89 <sup>18</sup>	
<b>NISSAN</b>				
2/2000 on	Patrol Y61 (GU) SWB & Wagon	N19 <sup>18</sup>	See Sport Selection	OMESD01
1997 on	Patrol Y61 (GU) Cab Chassis (Coil Front/Leaf Spring Rear)	N19 <sup>18</sup>	N25 <sup>18</sup>	OMESD11
	Patrol Y61 (GU) Cab Chassis (All Coil Springs)	N19 <sup>18</sup>	See Sport Selection	OMESD11
1997 to 1/00	Patrol Y61 (GU) Wagon & SWB	N19 <sup>18</sup>	See Sport Selection	OMESD11
9/1989 on	Patrol Y60 (GQ) Wagon & SWB	N23F <sup>18</sup>	N22F <sup>18</sup>	OMESD36
	Patrol Y60 (GQ) Cab Chassis (Coil Springs)	N23F <sup>18</sup>	N22F <sup>18</sup>	OMESD36
To 8/1989	Patrol Y60 (GQ) Wagon & SWB	N23F <sup>18</sup>	N22F <sup>18</sup>	OMESD34
1988 to 7/97	Patrol Y60 (GQ) Ute & Cab Chassis (Leaf Springs)	See Sport Selection	N25 <sup>18</sup>	OMESD22
All	Patrol MQ 260 LWB Spanish Built 2.8td Models	N19 <sup>18</sup>	*N42 <sup>18</sup> /N89 <sup>18</sup>	
8/83 to 1988	Patrol MQ Wagon, SWB, Ute & Cab Chassis	N49	N48/N97	OMESD22

Cont.



# NITROCHARGERS & STEERING STABILISERS

## OME NITROCHARGERS, STRUTS & CARTRIDGES

## STEERING STABILISERS

YEAR	VEHICLE DESCRIPTION	FRONT	REAR	
<b>NISSAN (continued)</b>				
1980 to 7/83	Patrol MQ Wagon, SWB, Ute & Cab Chassis	*N47/N96	N48/N97	OMESD22
1967 to 1979	Patrol 60 & G60 Series	N49	N49	OMESD22
2005 to 2014	Pathfinder R51	See Sport Selection	See Sport Selection	
2/99 to 2005	Pathfinder R50 V6 Model	N145S+N146S <sup>16,18,21</sup>	N104	
1996 to 1/99	Pathfinder R50 V6 Model	N145S+N146S <sup>16,18,21</sup>	N61	
1986 to 8/95	Pathfinder/Terrano WD21	See Sport Selection	*N42 <sup>18</sup> /N89 <sup>18</sup>	OMESD35 <sup>18</sup>
2005 on	Navara D40	See Sport Selection	N185 <sup>18</sup>	
10/2002 on	Navara D22	See Sport Selection	N59 <sup>18</sup>	
2008 to 2014	NP300 All Models	See Sport Selection	N59 <sup>18</sup>	
1/1986 on	Navara D21 & D22 Pick Up 4x2	N18 <sup>4,18</sup>	*N41 <sup>18</sup> /N81	
1/86 to 8/02	Navara D21 & D22 Pick Up	See Sport Selection	N59 <sup>18</sup>	OMESD35 <sup>12,18</sup>
<b>1996 to 2005</b>	<b>Terrano II 4x4 (European Models) (OE Springs)</b>	<b>See Sport Selection</b>	<b>See Sport Selection</b>	
2005 on	Xterra	See Sport Selection	N185 <sup>18,20</sup>	
1980 to 1985	720 Ute & Cab Chassis	N18 <sup>18</sup>	*N42 <sup>18</sup> /N89 <sup>18</sup>	
<b>SSANGYONG</b>				
To 2005	Musso, Sport Utility & Korando Models	See Sport Selection	N118	
<b>SUZUKI</b>				
2009 on	Equator (US Market Only)	See Sport Selection	N185 <sup>18</sup>	
2001 to 2005	XL7 Wagon V6	N103S <sup>17</sup>	N105	
8/05 to 2015	Grand Vitara Wagon Models	N217S + N218S	OME036	
1995 to 2005	Grand Vitara petrol 4 & 6 Cylinder & diesel engines	N103S	N105	
7/88 to 2005	Vitara TA01, TD01 & Wagon	N103S	N105	
	Vitara TA012 TD01 SWB	N103S <sup>22</sup>	N32 <sup>23</sup>	
<b>To 2017</b>	<b>Jimny SN413 (OE Springs)</b>	<b>OME028</b>	<b>OME030<sup>17,18</sup></b>	
To 2017	Jimny SN413 (OME Springs)	OME028	OME029	
To 2004	Santana Samurai All Models	OME034	OME035	OMESD30 <sup>13</sup>
1982 to 1995	Sierra SJ410 & SJ413 Ute MG410 / WT1000cc (OME Springs)	OME015 <sup>18</sup>	OME013	OMESD30 <sup>13</sup>
1988 to 1996	Sierra SJ70, SJ71, SJ413, MG410 / WT1300cc (OME Springs)	OME025	OME013	OMESD30 <sup>13</sup>
<b>1978 to 12/81</b>	<b>LJ80 &amp; LJ80V SWB (OE Springs)</b>	<b>OME025</b>	-	OMESD30 <sup>13,14</sup>
1978 to 12/81	LJ80 & LJ80V SWB (OME Springs)	OME015 <sup>18</sup>	N43	OMESD30 <sup>13</sup>
	LJ80 Ute (OME Springs)	OME015 <sup>18</sup>	OME013	OMESD30 <sup>13</sup>
1974 to 12/81	540, LJ10, LJ20 & LJ50 (OME Springs)	OME015 <sup>18</sup>	OME013	OMESD30 <sup>13</sup>
<b>TOYOTA</b>				
2007 on	LandCruiser 200 Series V8 Not AHC	N208S <sup>8,18</sup>	N209 <sup>18</sup>	
3/1998 on	LandCruiser 100 Series (IFS) Not AHC	*N199 <sup>18</sup> /N133 <sup>18</sup> /N100 <sup>18</sup>	N101 <sup>1,18</sup>	
	LandCruiser 100 & 105 Series (Front Live Axle)	N73 <sup>18</sup>	See Sport Selection	OMESD24
4/90 to 1998	LandCruiser 80 Series	N73 <sup>18</sup>	See Sport Selection	OMESD24
4/2003 to 09	Prado 120 Series (Except TEMS/Grande Models)	*N201S <sup>18,19</sup> / N140S <sup>18,19</sup> / N139S <sup>13,18</sup>	N202 <sup>2,18</sup> /N141 <sup>2,18</sup>	
7/96 to 10/02	Prado 95 & KZJ90 Series	N91SC <sup>18</sup>	N86 <sup>2,18</sup>	
2007 on	LandCruiser 78 & 79 Series V8 Diesel Model	N106 <sup>18</sup>	See Sport Selection	OMESD47
	LandCruiser 78 & 79 Series 6 Cyl. Petrol & Diesel Models	See Sport Selection	See Sport Selection	OMESD47
1999 to 2006	LandCruiser 78 & 79 Series - 6 Cylinder Models	N106 <sup>18</sup>	See Sport Selection	OMESD24
2007 on	LandCruiser 76 Series Wagon - V8	N106 <sup>18</sup>	See Sport Selection	OMESD47
1985 to 1999	LandCruiser 75 Series	*N50/N92 <sup>18</sup>	See Sport Selection	OMESD24
All	LandCruiser II LJ/RJ70, LJ/KZJ71 & LJ/KZJ78 Models	N77 <sup>18</sup>	N79 <sup>18</sup>	OMESD24
1984 to 1990	LandCruiser Bundera, SWB, LJ70 & RJ70 Series	N114 <sup>18</sup>	N113 <sup>18</sup> RHS	
All	LandCruiser 70 Series Dual Cab	N181 <sup>15</sup>	See Sport Selection	OMESD24
1985 on	LandCruiser 70,73 & 74 Series SWB & MWB	*N50/N92 <sup>18</sup>	*N85 <sup>18</sup> /N94 <sup>18</sup>	OMESD24
To 2007	LandCruiser HZJ71 & HJZ74 Series	N106 <sup>18</sup>	See Sport Selection	OMESD24
1986 to 3/90	LandCruiser 60,61 & 62 Series (Rear Lower Pin 19mm)	*N50/N92 <sup>18</sup>	*N90 <sup>18</sup> /N85 <sup>18</sup> /N94 <sup>18</sup>	OMESD24
1980 to 1986	LandCruiser 60 Series (Rear Lower Pin 16mm)	*N50/N92 <sup>18</sup>	*N42 <sup>18</sup> /N89 <sup>18</sup>	OMESD24
<b>1980 to 1986</b>	<b>LandCruiser 60 Series (OE Springs)</b>	<b>N50</b>	<b>N42<sup>18</sup></b>	OMESD24
<b>1986 to 3/90</b>	<b>LandCruiser 60 Series (OE Springs)</b>	<b>N50</b>	<b>N90<sup>18</sup>/N85<sup>18</sup></b>	OMESD24
To 11/1980	LandCruiser FJ55	N43	N42 <sup>18</sup>	
To 12/1984	LandCruiser 45 & 47 Series All LWB Models	*N41 <sup>18</sup> /N81	*N42 <sup>18</sup> /N89 <sup>18</sup>	OMESD23
	LandCruiser BJ, FJ & HJ 40 & 42 Series SWB	*N41 <sup>18</sup> /N81	N89 <sup>18,24</sup>	OMESD23
<b>To 12/1984</b>	<b>LandCruiser BJ, FJ &amp; HJ 40 &amp; 42 Series All Models (OE Springs)</b>	<b>N41<sup>18</sup></b>	<b>N42<sup>18</sup></b>	OMESD23
2004 to 2015	Fortuner	N166S <sup>18,19</sup>	See Sport Selection	
2006 to 2010	FJ Cruiser	N140S <sup>18,19</sup>	N141 <sup>2,18</sup>	

Cont.

# NITROCHARGERS & STEERING STABILISERS

## OME NITROCHARGERS, STRUTS & CARTRIDGES

## STEERING STABILISERS

YEAR	VEHICLE DESCRIPTION	FRONT	REAR	
<b>TOYOTA (continued)</b>				
2005 to 2015	HiLux Vigo KUN26R, GGN25R	N166S <sup>18,19</sup>	N168 <sup>18</sup>	
9/97 to 2004	HiLux Tiger LN172, LN167, KZN 165, RZN174 & RZN169 (IFS)	See Sport Selection	N75 <sup>18</sup>	OMESD33
9/83 to 8/97	HiLux LN65, YN65, LN106 & RN105 (All Leaf Suspension)	See Sport Selection	*N85 <sup>18</sup> /N94 <sup>18</sup>	OMESD21
To 8/1983	HiLux LN46 & RN46 (All Leaf) (Rear Lower Pin 16mm)	See Sport Selection	N89 <sup>18</sup>	OMESD21
To 8/1983	HiLux LN46 & RN46 (All Leaf) (Rear Lower Pin 16mm) (OE Springs)	See Sport Selection	*N42 <sup>18</sup> /N89 <sup>18</sup>	OMESD21
9/83 to 8/97	HiLux LN65, YN65, LN106 & RN105 (OE Springs)	See Sport Selection	*N90 <sup>18</sup> /N85 <sup>18</sup>	OMESD21
1988 to 8/97	HiLux/4 Runner LN107, RN105, RN110 & LN111 (IFS)	See Sport Selection	*N85 <sup>18</sup> /N94 <sup>18</sup>	OMESD33
1988 to 8/97	HiLux/4 Runner LN107, RN105, RN110 & LN111(IFS)(OE Springs)	See Sport Selection	*N90 <sup>18</sup> /N85 <sup>18</sup>	OMESD33
2003 to 2012	4 Runner (USA)	N140S <sup>18,19</sup>	N141 <sup>18</sup>	
1996 to 2002	4 Runner/Surf Front & Rear Coil Springs (USA)	N91SC <sup>18</sup>	N86 <sup>18</sup>	
1990 to 1996	4 Runner (IFS) Front Torsion Bar/Rear Coil Springs	See Sport Selection	N72F <sup>18</sup>	OMESD33
1986 to 1990	4 Runner (IFS) Rear Leaf Springs (OE Springs)	See Sport Selection	N85 <sup>18</sup> /N94 <sup>18</sup>	OMESD33
1986 to 1990	4 Runner (IFS) Rear Leaf Springs	See Sport Selection	*N85 <sup>18</sup> /N94 <sup>18</sup>	OMESD33
1984 to 1986	4 Runner (Front Live Axle) (OE Springs)	See Sport Selection	N90 <sup>18</sup> /N85 <sup>18</sup>	OMESD21
1984 to 1986	4 Runner (Front Live Axle)	See Sport Selection	N85 <sup>18</sup> /N94 <sup>18</sup>	OMESD21
1982 to 1983	Blizzard	*N41 <sup>18</sup> /N81	N48	
1997 to 2003	Kijang (4th Gen.)	N128 <sup>18</sup>	-	
2005 to 2015	Tacoma V6	N140S <sup>18,19</sup>	N182 <sup>18</sup>	
To 2004	Tacoma V6 & 4 Cylinder Models	N91SC <sup>18</sup>	N85 <sup>18</sup>	
2007 on	Tundra	N192S <sup>16</sup>	N193	
<b>VOLKSWAGEN</b>				
1985 to 1990	Syncro 4x4	N38S	N37	

### Remarks:

Refer to page 199 to 203 of the OME International Application Catalogue for open and closed lengths of equivalent standard Nitrocharger models.

**NOTES:** \*first part number has firmer valving.

- 1983 and on wide track CJ Jeeps require bush kit OMEB27 for the front lower mount and all Cherokee wagons and Mahindra lower front and rear mounts.
- Shock lower body stone guards are recommended fitment to rear shocks to protect against severe stone peppering encountered on loose road surfaces. OME661 (suits Sorento BL To 09, FJ Criser 06 On, 4 Runner 10 On, LandCruiser 76 LWB, 200 Series, Prado 150 09 on coil sprung not Kakadu, 120 Series 10/02 to 09 not TEMS & Prado 90 Series to 10/2002 LWB). OME662 (suits LandCruiser 105 & 80 Series with 34mm diameter Control Arm, 100 Series IFS not AHC with 40mm diameter Control Arm). OME660 (all other models).
- 1981 on F100 and Bronco require bush kit OMEB27 on bottom rear mount.
- It may be necessary to slightly increase the clearance in the front wishbone to allow the shock absorber to fit. Do not modify the shock absorber.
- FK18 rear sway bar extension bracket for LWB models and FK24 for SWB models are **mandatory** fitment with Nitrochargers to prevent damage to sway bar due to increased wheel droop.
- FK22 Front Shock Absorber Upper Mount Support Bracket Kit is a mandatory fitment.
- FK22 support brackets must be installed to upper shock mounting brackets on late 1996 on models manufactured in Thailand.
- N208S<sup>18</sup> can only be installed with OME Coil Springs. No top mounting bushes supplied. re-use OE bushes.
- N179 suits models with single rear shock set up. Models with twin rear shocks require N179 fitment rear of axle, N180 front of axle, also fitment of OME660 stone shields are recommended on the N180.
- OMESD40 will only fit left hand drive models.
- To obtain maximum ride quality improvement it is recommended that an OME replacement stabiliser bar (OMESTAB1) be fitted.
- OMESD35<sup>18</sup> will suit D21 models only.
- Only suitable for models equipped with original steering damper.
- Shocks are the same length as OE.
- OME030<sup>18</sup> is shorter than OME029 and must be used with OE coils to ensure coils remain entrapped.
- No top mounting bushes supplied, re-use OE bushes.
- FK28<sup>18</sup> Bump Stop Spacer Kit is a mandatory fitment with N103S Struts.
- When remaining stock is exhausted no further product will be available.
- No top mounting bushes supplied, refer to vehicle specific application to select relevant upper strut bushes. OE bushes may be re-used if in good condition.
- FK42 is a **mandatory** fitment to space sway bar link away from shock absorber.
- Vehicles with ABS will require ABS Bracket Kit SMP638.
- Front strut has 40mm longer travel than original equipment.
- Rear shock has 50mm longer travel than original equipment.

Cont.

# NITROCHARGERS & STEERING STABILISERS

## Remarks - (cont.):

24. 1975 and newer FJ40's may need to use N76 shocks in rear: Pre 1975 shock eye in the top of the axle housing use N89<sup>19</sup>/N95<sup>19</sup>/60032/60064. Post 1975 lower shock eye is below leaf spring use N76 with OMEB11 Bush Kit.

**Note: Replacement dust boot part numbers Nitrocharger: OME412422 - Small**  
**Replacement dust boot part numbers Nitrocharger: OME512422 - Large**

# COMPACT AWD - OME SPRING & SHOCK ABSORBER

YEAR	VEHICLE DESCRIPTION	LIFT		UNIT PRICE		UNIT PRICE
		F/R (mm)	FRONT	REAR		
<b>DAIHATSU</b>						
97 to 2006	Terios J100 J102	20/20	2531 <sup>1</sup>		No Longer Available	
<b>FORD</b>						
To 06/2006	Escape BA ZA AB	30/30	2904		No Longer Available	
04 to 10/2007	Territory SX SY AWD (4WD)	20/30	2533 <sup>1</sup>		2534 <sup>1</sup>	
<b>GM / OPEL</b>						
2006 on	Captiva, Antara - V6 (3.2) & Diesel	20/30	2529 <sup>1</sup>		2530 <sup>1</sup>	
<b>HONDA</b>						
01/2007 on	CRV	20/20	No Longer Available		2536	
12/01 to 01/07	CRV MY 2002 MY 2005	-/20	CANNOT LIFT		2538	
10/97 to 11/01	CRV RD	30/30	2797		2798	
<b>HYUNDAI</b>						
05/06 to 8/08	Santa Fe CM V6 (2.7) & Diesel	20/30	2527 <sup>1</sup>		2528 <sup>1</sup>	
2000 to 2005	Santa Fe	10/20	2907 <sup>1</sup>		2908 <sup>1</sup>	
<b>KIA</b>						
2005 to 2009	Sportage V6 & Diesel KM Models	20/20	No Longer Available		2526 <sup>1</sup>	
1997 to 2003	Sportage JA MY02 MY03 - V6	20/30	No Longer Available		2524 <sup>1</sup>	
<b>LAND ROVER</b>						
11/00 to 1/04	Freelander V6 & 2Ltr Diesel DOHC - Wagon	10/20	No Longer Available		No Longer Available	
To 10/2000	Freelander 4 Cylinder Petrol Wagon	10/20	2504 <sup>1</sup>		2505 <sup>1</sup>	
	OME Cartridge to Suit OME Springs		No Longer Available		No Longer Available	
	Freelander V6 & 2Ltr Diesel DOHC	10/20	2500 <sup>1</sup>		No Longer Available	
	OME Cartridge to Suit OME Springs		No Longer Available		No Longer Available	
<b>LEXUS</b>						
2003 on	RX-330 4WD MCU38R MY05 - V6	20/30	2509 <sup>1</sup>		2510 <sup>1</sup>	
<b>MAZDA</b>						
To 06/2006	Tribute YU MY03 MY04	30/30	2904		2905	
<b>NISSAN</b>						
2007 to 2011	X-Trail Petrol	25/25	No Longer Available		2512 <sup>1</sup>	
	X-Trail Diesel	25/25	No Longer Available		2512 <sup>1</sup>	
01 to 10/2006	X-Trail Petrol	20/20	2506 <sup>1</sup>		No Longer Available	
	X-Trail Diesel	30/30	No Longer Available		Available	
	OME Strut to Suit OME Springs		N213S+N214S		N215S+N216S	
<b>SUBARU</b>						
7/02 to 2005	Forester MY03 MY04 MY05	20/20	No Longer Available		2520 <sup>1</sup>	
9/03 to 2006	Outback 4th Gen MY04 MY05 MY06 4Cyl	20/20	2516 <sup>1</sup>		2518 <sup>1</sup>	
	Outback 4th Gen MY04 MY05 MY06 6Cyl	20/20	2517 <sup>1</sup>		2518 <sup>1</sup>	
<b>TOYOTA</b>						
03 to 04/2007	Kluger / Highlander MCU20R - V6	20/20	2509 <sup>1</sup>		2510 <sup>1</sup>	
01/2006 on	Rav 4 LWB ACA33R - 4 Cylinder	30/30	No Longer Available		No Longer Available	
07/00 to 08/05	Rav 4 SWB & LWB ACA20R ACA21R - Diesel	40/40	No Longer Available		2795	
	Rav 4 SWB & LWB ACA20R ACA21R - Petrol	40/40	2793 <sup>2</sup>		2795	
	OME Struts / Gas Shocks to Suit OME Springs		No Longer Available		OME031	
	Rav 4 LWB SXA11R MY98 MY99 - Petrol	25/25	2793 <sup>2</sup>		2794	
To 2000	OME Struts / Gas Shocks to Suit OME Springs		No Longer Available		OME031	
	Rav 4 SWB SXA11R MY98 MY99 - Petrol	25/25	2793		No Longer Available	
	OME Struts / Gas Shocks to Suit OME Springs		No Longer Available		OME031	

## NOTES:

1. When remaining stock is exhausted no further product will be available.
2. Suits OE strut.

# LTR REMOTE CANISTERS

Note: Replacement dust boot part numbers LTR: OME512422 - Large Black  
Replacement dust boot part numbers LTR: OME412422 - Small Yellow

## GASSING REMOTE CANISTER SHOCK ABSORBERS

The only recommended gas to use in LTR shock absorbers is Nitrogen. A Schrader valve, part number 2755, from Schrader Automotive Inc is required to guarantee correct pressure is reached. When using a Schrader valve to gas your LTR Shock absorber first set the pressure gauge to the required pressure. Attach the Schrader valve to the air fitting at the end of the remote canister. Gas the canister until the shock absorber shaft is fully extended, hold gas pressure for 30 seconds, release Schrader valve and remove.

Note: This can be done for you by your Old Man Emu Stockist.

Important: Gassing of your LTR shock absorber should be carried out before fitment to the vehicle. If LTRs are already fitted the vehicle's suspension should be at full extension before gassing.

## MINIMUM/MAXIMUM GAS PRESSURE

On Road/Off Road 40-80psi (2.8 - 5.5 BAR)

Competition 80-100psi (5.5 - 6.9 BAR)

An increase in gas pressure firms up ride quality but will not alter ride height.

## MAINTENANCE

The following checks need to be carried out as part of regular vehicle maintenance.

To ensure maximum cooling of your LTR shock absorber inspect the shock absorber body and canister for any mud and debris build up and clean if necessary.

Check that the polyurethane boot is securely fastened in place and that it is not damaged. If the boot is found to be detached thoroughly clean the shock absorber shaft and inside the boot before reattaching it.

Ensure all polyurethane bushes, locating washers and nuts are in good condition and securely fastened.

To ensure maximum shock absorber performance check gas pressure every 20,000km.

# ARMoured APPLICATIONS - 4.5T GVM

## TOYOTA LANDCRUISER 200 SERIES - 4.5T GVM

FRONT	PART NUMBER	QTY	UNIT PRICE \$	COMMENTS
<b>COILS</b>				
FRONT COILS	2701	1		
<b>SHOCKS</b>				
NITROCHARGER SPORT	90024	2		
<b>COMPONENTS</b>				
FRONT SWAY BAR	OMESTAB4	1		
STRUT TOP HAT KIT	OMETH003	1		Replaces OE top hat if worn
COIL SPRING TRIM PACKER	OME95PF5			
REAR	PART NUMBER	QTY	UNIT PRICE \$	COMMENTS
<b>COILS</b>				
REAR COILS	3067	1		
<b>SHOCKS</b>				
NITROCHARGER SPORT	60119	2		
<b>COMPONENTS</b>				
REAR SWAY BAR	OMESTAB6	1		
REAR SWAY BAR FITTING KIT	FK75	1		
STONE GUARD KIT	OME661	2		Recommended fitment
COIL SPRING TRIM PACKER	OME80PR10			

## NISSAN PATROL Y62 - 4.5T GVM

FRONT	PART NUMBER	QTY	UNIT PRICE \$	COMMENTS
<b>COILS</b>				
FRONT COILS	2978	1		
<b>SHOCKS</b>				
NITROCHARGER SPORT	90025	2		
<b>COMPONENTS</b>				
FRONT SWAY BAR	OMESTAB7	1		
REAR	PART NUMBER	QTY	UNIT PRICE \$	COMMENTS
<b>COILS</b>				
REAR COILS	3069 <sup>1</sup>	1		
<b>SHOCKS</b>				
NITROCHARGER SPORT	60120	2		
<b>COMPONENTS</b>				
REAR SWAY BAR	OMESTAB8	1		

### REMARKS:

<sup>1</sup> When remaining stock of 3069 is exhausted no further product will be available.

### NOTES ON ARMoured SUSPENSION SELECTION & FITMENT:

The above suspension systems have been designed and tested to suit a vehicle weight range of 3.9 - 4.5T, for vehicle weights outside this range please contact ARB.

Components have been designed to operate as a complete replacement system, it is not recommended to fit these products individually.

LC200 Armoured Suspension System was designed for and tested on non-KDSS equipped vehicles.

Y62 Armoured Suspension System was designed for and tested on non-HBMC equipped vehicles.

OME661 Lower Shock Stone Guards are recommended fitment for protection against stone damage on LC200.

All fitting kits, components and replacement bushes are included with the above products where required.

## JEEP GRAND CHEROKEE WK2 2016 ON

FRONT		V6 PETROL ENGINE			V8 & 3.2L DIESEL ENGINE		
<i>Estimated Lift: 40mm</i>		PART NUMBER	QTY	UNIT PRICE \$	PART NUMBER	QTY	UNIT PRICE \$
<b>SPRING: No Bar</b>		<b>3118</b>			<b>3119</b>		
STRUT - SPORT	LHS	90035 <span style="border: 1px solid black; padding: 0 2px;">1</span>	1		90035 <span style="border: 1px solid black; padding: 0 2px;">1</span>	1	
	RHS	90036		90036			
<b>SPRING: Bar</b>		<b>3119</b>			<b>3120</b>		
STRUT - SPORT	LHS	90035 <span style="border: 1px solid black; padding: 0 2px;">1</span>	1		90035 <span style="border: 1px solid black; padding: 0 2px;">1</span>	1	
	RHS	90036		90036			
<b>SPRING: Bar / Winch</b>		<b>3120</b>			<b>3121</b>		
STRUT - SPORT	LHS	90035 <span style="border: 1px solid black; padding: 0 2px;">1</span>	1		90035 <span style="border: 1px solid black; padding: 0 2px;">1</span>	1	
	RHS	90036		90036			
TRIM PACKER		FK79			FK79		

REAR		ALL MODELS (EXCLUDES TOW PACK OPTION)			TOW PACK MID 2017 ON <span style="border: 1px solid black; padding: 0 2px;">2</span>		
<i>Estimated Lift: 40mm</i>		PART NUMBER	QTY	UNIT PRICE \$	PART NUMBER	QTY	UNIT PRICE \$
<b>SPRING: MEDIUM LOAD</b>		<b>3074</b>	1		<b>3074</b>	1	
NITROCHARGER SPORT		60124 <span style="border: 1px solid black; padding: 0 2px;">1</span>	2		60152 <span style="border: 1px solid black; padding: 0 2px;">1</span>	2	
<b>SPRING: CONSTANT 200 KGS</b>		<b>3060</b>	1		<b>3060</b>	1	
NITROCHARGER SPORT		60125 <span style="border: 1px solid black; padding: 0 2px;">1</span>	2		60153 <span style="border: 1px solid black; padding: 0 2px;">1</span>	2	

REAR		ALL MODELS (EXCLUDES TOW PACK OPTION)			TOW PACK 2016 TO 2017 <span style="border: 1px solid black; padding: 0 2px;">2</span>		
<i>Estimated Lift: 40mm</i>		PART NUMBER	QTY	UNIT PRICE \$	PART NUMBER	QTY	UNIT PRICE \$
<b>SPRING: MEDIUM LOAD</b>		<b>3074</b>	1		<b>3074</b>	1	
NITROCHARGER SPORT		60124 <span style="border: 1px solid black; padding: 0 2px;">1</span>	2		60126	2	
<b>SPRING: CONSTANT 200 KGS</b>		<b>3060</b>	1		<b>3060</b>	1	
NITROCHARGER SPORT		60125 <span style="border: 1px solid black; padding: 0 2px;">1</span>	2		60127	2	

**REMARKS:**

**1** No top mounting bushes and dirt shield supplied, re-use OE bushes and dirt shield. Original struts and OME coils cannot be used together.

**2** Tow Pack option uses a Nivomat (self leveling) shock absorber and requires a specific design.

**Please note:** when replacing Nivomat shocks, you **must** fit the appropriate OME spring.

To identify whether a vehicle has the standard fitment rear shock or Nivomat shock, the outer body diameter will need to be measured:

Standard:                51mm

Nivomat:                63mm

**Fitting Time:** Due to the complexity of installation allow 4 hours for complete install.

## JEEP GRAND CHEROKEE WK2 2011 TO 2015

FRONT <i>Estimated Lift: 40mm</i>	V6 PETROL ENGINE			V8 & 3.2L DIESEL ENGINE		
	PART NUMBER	QTY	UNIT PRICE \$	PART NUMBER	QTY	UNIT PRICE \$
<b>SPRING: No Bar</b>	3118	1		3119	1	
STRUT - SPORT	90026 <input type="checkbox"/>	2		90026 <input type="checkbox"/>	2	
<b>SPRING: Bar</b>	3119	1		3120	1	
STRUT - SPORT	90026 <input type="checkbox"/>	2		90026 <input type="checkbox"/>	2	
<b>SPRING: Bar / Winch</b>	3120	1		3121	1	
STRUT - SPORT	90026 <input type="checkbox"/>	2		90026 <input type="checkbox"/>	2	
TRIM PACKER	FK79			FK79		

REAR <i>Estimated Lift: 40mm</i>	ALL MODELS (EXCLUDES TOW PACK OPTION)			TOW PACK <input type="checkbox"/>		
	PART NUMBER	QTY	UNIT PRICE \$	PART NUMBER	QTY	UNIT PRICE \$
<b>SPRING: MEDIUM LOAD</b>	3074	1		3074	1	
NITROCHARGER SPORT	60124 <input type="checkbox"/>	2		60126	2	
<b>SPRING: CONSTANT 200 KGS</b>	3060	1		3060	1	
NITROCHARGER SPORT	60125 <input type="checkbox"/>	2		60127	2	

### REMARKS:

- No top mounting bushes and dirt shield supplied, re-use OE bushes and dirt shield. Original struts and OME coils cannot be used together.
- Tow Pack option uses a Nivomat (self leveling) shock absorber and requires a specific design.  
**Please note:** when replacing Nivomat shocks, you **must** fit the appropriate OME spring.  
 To identify whether a vehicle has the standard fitment rear shock or Nivomat shock, the outer body diameter will need to be measured:  
 Standard: 51mm  
 Nivomat: 63mm

**Fitting Time:** Due to the complexity of installation allow 4 hours for complete install.

## JEEP GRAND CHEROKEE WH & WK 2005 TO 2010

FRONT <i>Estimated Lift: 50mm</i>	V8 PETROL & DIESEL		
	PART NUMBER	QTY	UNIT PRICE \$
<b>SPRING: TO 40 KGS</b>	2990	1	
STRUT	*N219S / N188S <input type="checkbox"/>	2	
<b>SPRING: 41 TO 100 KGS</b>	2991	1	
STRUT	*N219S / N188S <input type="checkbox"/>	2	

REAR <i>Estimated Lift: 55mm</i>	ALL MODELS		
	PART NUMBER	QTY	UNIT PRICE \$
<b>SPRING: MEDIUM LOAD</b>	2992	1	
NITROCHARGER	*N220 / N190	2	
<b>SPRING: HEAVY LOAD</b>	2993	1	
NITROCHARGER	*N220 / N190	2	

### REMARKS:

- No top mounting bushes supplied, re-use OE bushes.



## JEEP GRAND CHEROKEE WJ & WG 1999 TO 2004

FRONT <i>Estimated Lift: 40mm</i> 3	V6 & V8 PETROL ENGINES			DIESEL ENGINE		
	PART NUMBER	QTY	UNIT PRICE \$	PART NUMBER	QTY	UNIT PRICE \$
<b>SPRING: TO 40 KGS</b>	<b>2935</b>	1		<b>2936</b>	1	
NITROCHARGER SPORT	60087	2		60087	2	
<b>SPRING: 41 TO 90 KGS</b>	<b>2936</b>	1		<b>2936</b> 2	1	
NITROCHARGER SPORT	60087	2		60087	2	
TRIM PACKER	OMEWJPF10			OMEWJPF10 2		
STABILISER BAR	OMESTAB1 1	1		- 1	-	

REAR <i>Estimated Lift: 40mm</i>	ALL MODELS		
	PART NUMBER	QTY	UNIT PRICE \$
<b>SPRING: MEDIUM LOAD</b>	<b>2944</b>	1	
NITROCHARGER SPORT	60088		
NITROCHARGER	N117 3	2	
<b>SPRING: HEAVY LOAD</b>	<b>2945</b>	1	
NITROCHARGER SPORT	60088		
NITROCHARGER	N117 3	2	
TRIM PACKER	OMEWTJPR10		

### REMARKS:

- 1 OMESTAB1 is a lighter rate OME replacement stabiliser bar which is a recommended fitment so maximum ride quality improvement can be obtained. (OMESTAB1 does not suit 2.7 Diesel Models).
- 2 Add 1 only OMEWJPF10 Trim Packer to increase ride height for vehicles with bull bar and winch.
- 3 When remaining stock of N111 and N117 is exhausted no further product will be available.

## JEEP GRAND CHEROKEE ZJ 1993 TO 1998

FRONT <i>Estimated Lift: 20 - 25mm</i>	6 CYLINDER & V8 ENGINES		
	PART NUMBER	QTY	UNIT PRICE \$
<b>SPRING: TO 40 KGS</b>	<b>2931</b> 1	1	
	<b>2934</b>		
NITROCHARGER SPORT	60092	2	
NITROCHARGER	N39 3		
<b>SPRING: 41 TO 90 KGS</b>	<b>2930</b> 1	1	
	<b>2934</b>		
NITROCHARGER SPORT	60092	2	
NITROCHARGER	N39 3		
STEERING DAMPER	OMESD40 2	1	
COIL PACKER	OMEJGF10		

### REMARKS:

- 1 2931 and 2930 suit 6 cylinder Models. 2934 suits V8 Models.
- 2 OMESD40 will only fit left hand drive Models.
- 3 When existing stock of N39 is exhausted no further product will be available.

REAR <i>Estimated Lift: 20 - 25mm</i>	ALL MODELS		
	PART NUMBER	QTY	UNIT PRICE \$
<b>SPRING: MEDIUM LOAD</b>	<b>2940</b>	1	
NITROCHARGER SPORT	60093	2	
<b>SPRING: CONSTANT 100 KGS</b>	<b>2943</b>	1	
NITROCHARGER SPORT	60093	2	
COIL PACKER	OMEJGR10		

## JEEP COMMANDER XK 2006 TO 2010

FRONT <i>Estimated Lift: 50mm</i>	V8 PETROL & DIESEL		
	PART NUMBER	QTY	UNIT PRICE \$
<b>SPRING: TO 40 KGS</b>	<b>2990</b>	1	
STRUT	*N219S / N188S <sup>1</sup>	2	
<b>SPRING: 41 TO 100 KGS</b>	<b>2991</b>	1	
STRUT	*N219S / N188S <sup>1</sup>	2	

REAR <i>Estimated Lift: 55mm</i>	ALL MODELS		
	PART NUMBER	QTY	UNIT PRICE \$
<b>SPRING: LIGHT LOAD</b>	<b>2992</b>	1	
NITROCHARGER	*N220 / N190	2	
<b>SPRING: MEDIUM LOAD</b>	<b>2993</b>	1	
NITROCHARGER	*N220 / N190	2	

### REMARKS:

- No top mounting bushes supplied, re-use OE bushes.

## JEEP CHEROKEE XJ WAGON 1984 TO 2001

FRONT <i>Estimated Lift: 35 - 45mm</i>	PETROL & DIESEL ENGINES			Warning: XJ Models fitted with a 3 bolt engine exhaust pipe flange, can experience a clearance problem with the tail shaft, when suspension is under full deflection. Fitment of an adjustable front panhard rod or a change to the smaller 2 bolt flange will provide the required clearance.
	PART NUMBER	QTY	UNIT PRICE \$	
<b>SPRING:</b>	<b>2930</b> <sup>3</sup>	1		
NITROCHARGER SPORT	60052	2		
TRIM PACKER	OMEJGF10 <sup>3</sup>			
STEERING DAMPER	OMESD40 <sup>5</sup>	1		

REAR <i>Estimated Lift: 50mm</i>	ALL MODELS			REMARKS:
	PART NUMBER	QTY	UNIT PRICE \$	
<b>SPRING: LIGHT LOAD</b>	<b>CS034RA / B</b> <sup>2</sup>	1 + 1		<b>1</b> OMEU60 suits Dana 35 type differential - Australian Models. OMEU57 suits AMC 8 1/4 type differential.
NITROCHARGER SPORT	60053	2		
<b>SPRING: MEDIUM LOAD</b>	<b>CS035RA / B</b> <sup>2</sup>	1 + 1		<b>2</b> Trimming requirement greater than 10mm use A/A fitment. Where near level rake is desired B/B fitment should be used. D22XL extra leaf can be fitted to CS034RA/B and CS035RA/B for heavier constant load carrying ability. <b>NB:</b> Models fitted with OE Up Country Suspension Pack will only be raised by 20mm.
NITROCHARGER SPORT	60053	2		
SPRING BUSH KIT	OE			<b>3</b> OMEJGF10 front coil packer can be used for trimming or extra lift purposes, using no more than 1 packer.
U BOLTS	OMEU60 <sup>1</sup>	4		
GEARBOX PACKER KIT	XJGK01 <sup>4</sup>	1		<b>4</b> Fit XJGK01 Gearbox Packer Kit should a driveline vibration occur.
EXTRA LEAF	D22XL	2		
CENTRE BOLT	UCB8			<b>5</b> OMESD40 will only fit left hand drive Models.

## JEEP CHEROKEE/LIBERTY KK 2008 TO 2013

FRONT <i>Estimated Lift: 30 - 40mm</i> <span style="border: 1px solid black; padding: 0 2px;">1</span>	V6 3.7L PETROL ENGINE			2.8 CRD DIESEL ENGINE		
	PART NUMBER	QTY	UNIT PRICE \$	PART NUMBER	QTY	UNIT PRICE \$
<b>SPRING: TO 50 KGS</b>	<b>2926</b>	1		<b>2927</b>	1	
STRUT - SPORT	90009 <span style="border: 1px solid black; padding: 0 2px;">2</span>	2		90009 <span style="border: 1px solid black; padding: 0 2px;">2</span>	2	
<b>SPRING: 51 TO 100 KGS</b>	<b>2927</b>	1		<b>2790</b>	1	
STRUT - SPORT	90009 <span style="border: 1px solid black; padding: 0 2px;">2</span>	2		90009 <span style="border: 1px solid black; padding: 0 2px;">2</span>	2	

REAR <i>Estimated Lift: 40mm</i>	ALL MODELS		
	PART NUMBER	QTY	UNIT PRICE \$
<b>SPRING: MEDIUM LOAD</b>	<b>2730</b>	1	
NITROCHARGER SPORT	60069	2	
NITROCHARGER	N132 <span style="border: 1px solid black; padding: 0 2px;">3</span>	2	
<b>SPRING: CONSTANT 100 KGS</b>	<b>2731</b>	1	
NITROCHARGER SPORT	60069	2	
NITROCHARGER	N132 <span style="border: 1px solid black; padding: 0 2px;">3</span>	2	

**REMARKS:**

- 1 Due to varying OE ride heights, some KK Models may only achieve a 20mm lift.
- 2 No top mounting bushes supplied, re-use OE bushes.
- 3 When existing stock of NS131 and N132 is exhausted no further product will be available.

## JEEP CHEROKEE/LIBERTY KJ 2002 TO 2007

FRONT <i>Estimated Lift: 30 - 40mm</i> <span style="border: 1px solid black; padding: 0 2px;">1</span>	PETROL ENGINE			DIESEL ENGINE		
	PART NUMBER	QTY	UNIT PRICE \$	PART NUMBER	QTY	UNIT PRICE \$
<b>SPRING: NO ACCESSORIES</b>	<b>2925</b>	1		<b>2926</b>	1	
STRUT - SPORT	90009 <span style="border: 1px solid black; padding: 0 2px;">2</span>	2		90009 <span style="border: 1px solid black; padding: 0 2px;">2</span>	2	
STRUT	NS130 <span style="border: 1px solid black; padding: 0 2px;">3</span>	2		NS130 <span style="border: 1px solid black; padding: 0 2px;">3</span>	2	
<b>SPRING: TO 50 KGS</b>	<b>2926</b>	1		<b>2927</b>	1	
STRUT - SPORT	90009 <span style="border: 1px solid black; padding: 0 2px;">2</span>	2		90009 <span style="border: 1px solid black; padding: 0 2px;">2</span>	2	
<b>SPRING: 51 TO 100 KGS</b>	<b>2927</b>	1		<b>2790</b>	1	
STRUT - SPORT	90009 <span style="border: 1px solid black; padding: 0 2px;">2</span>	2		90009 <span style="border: 1px solid black; padding: 0 2px;">2</span>	2	

REAR <i>Estimated Lift: 40mm</i>	ALL MODELS		
	PART NUMBER	QTY	UNIT PRICE \$
<b>SPRING: LIGHT LOAD</b>	<b>2947</b>	1	
NITROCHARGER SPORT	60069	2	
NITROCHARGER	N132 <span style="border: 1px solid black; padding: 0 2px;">3</span>	2	
<b>SPRING: MEDIUM LOAD</b>	<b>2948</b>	1	
NITROCHARGER SPORT	60069	2	
NITROCHARGER	N132 <span style="border: 1px solid black; padding: 0 2px;">3</span>	2	

**REMARKS:**

- 1 Due to varying OE ride heights, some KJ Models may only achieve a 20mm lift.
- 2 No top mounting bushes supplied, re-use OE bushes.
- 3 When existing stock of NS130, NS131 and N132 is exhausted no further product will be available.

## JEEP WRANGLER TJ & TJ UNLIMITED 1997 TO 2006

FRONT <i>Estimated Lift: 50mm</i>	6 CYLINDER ENGINE		
	PART NUMBER	QTY	UNIT PRICE \$
<b>SPRING: TO 40 KGS</b>	<b>2932</b> <span style="border: 1px solid black; padding: 0 2px;">1</span>	1	
NITROCHARGER SPORT	*60047 / 60046 <span style="border: 1px solid black; padding: 0 2px;">6</span>	2	
NITROCHARGER	N66 <span style="border: 1px solid black; padding: 0 2px;">7</span>		
<b>SPRING: 41 TO 80 KGS</b>	<b>2933</b> <span style="border: 1px solid black; padding: 0 2px;">1</span>	1	
NITROCHARGER SPORT	*60047 / 60046 <span style="border: 1px solid black; padding: 0 2px;">6</span>	2	
NITROCHARGER	N66 <span style="border: 1px solid black; padding: 0 2px;">7</span>		
TRIM PACKER	OMEJGF10		
STEERING DAMPER	OMESD40 <span style="border: 1px solid black; padding: 0 2px;">5</span>	1	

REAR <i>Estimated Lift: 50mm</i>	2 DOOR			4 DOOR		
	PART NUMBER	QTY	UNIT PRICE \$	PART NUMBER	QTY	UNIT PRICE \$
<b>SPRING: SOFT TOP</b>	<b>2941</b> <span style="border: 1px solid black; padding: 0 2px;">1</span>	1		<b>2949</b> <span style="border: 1px solid black; padding: 0 2px;">6</span>	1	
NITROCHARGER SPORT	60048	2		60049	2	
<b>SPRING: HARD TOP</b>	<b>2941</b> <span style="border: 1px solid black; padding: 0 2px;">1</span>	1		<b>2949</b> <span style="border: 1px solid black; padding: 0 2px;">6</span>	1	
NITROCHARGER SPORT	60048	2		60049	2	
<b>SPRING: CONSTANT 100 KGS</b>	<b>2942</b> <span style="border: 1px solid black; padding: 0 2px;">1</span>	1		-		
NITROCHARGER SPORT	60048	2		-		
<b>SPRING: CONSTANT 200 KGS</b>	<b>2949</b> <span style="border: 1px solid black; padding: 0 2px;">6</span>	1		<b>2996</b>	1	
NITROCHARGER SPORT	60049	2		60049	2	
PANHARD ROD BRACKET KIT	FKWTJ01 <span style="border: 1px solid black; padding: 0 2px;">2</span>	1		FKWTJ01 <span style="border: 1px solid black; padding: 0 2px;">2</span>	1	
	FKWTJ02			FKWTJ02		
TRIM PACKER	OMEWTJPR10			OMEWTJPR10		
GEARBOX PACKER KIT	JWGK01 <span style="border: 1px solid black; padding: 0 2px;">3</span>	1		JWGK01 <span style="border: 1px solid black; padding: 0 2px;">3</span>	1	
	JWGK02 <span style="border: 1px solid black; padding: 0 2px;">3</span>			JWGK02 <span style="border: 1px solid black; padding: 0 2px;">3</span>		
	JWGK03 <span style="border: 1px solid black; padding: 0 2px;">3</span>			JWGK03 <span style="border: 1px solid black; padding: 0 2px;">3</span>		
BUMPER STOP SPACER KIT	FK16 <span style="border: 1px solid black; padding: 0 2px;">4</span>			FK16 <span style="border: 1px solid black; padding: 0 2px;">4</span>		

**REMARKS:**

- 1** For ride height and trim adjustment use - Front: OMEJGF10 Rear: OMEWTJPR10
- 2** FKWTJ01 Panhard Rod Extension Bracket Kit fitment to right hand drive or FKWTJ02 to left hand drive Models is **mandatory** to ensure correct rear axle tracking.
- 3** A Gear Box Packer Kit is **mandatory** fitment to prevent driveline vibration.  
JWGK01 suits all Models to 2003.  
JWGK02 suits manual Models from 2003.  
JWGK03 suits auto Models from 2003.
- 4** FK16: **Mandatory** fitment 20mm Bump Stop Spacer Kit to prevent coil springs becoming solid on full compression.
- 5** OMESD40 only suitable for fitment to left hand drive Models.
- 6** To achieve optimal vehicle balance front to rear when Rear Spring 2949 is fitted, it is recommended that only 60047 is fitted to the front.
- 7** When existing stock of N66 and N66C is exhausted no further product will be available.

## JEEP WRANGLER YJ 1986 TO 1996

FRONT <i>Estimated Lift: 40 - 50mm</i>	PETROL ENGINE		
	PART NUMBER	QTY	UNIT PRICE \$
<b>SPRING: TO 35 KGS: 50mm</b>	<b>CS014F</b> <sup>4</sup>	2	
NITROCHARGER SPORT	60098		
NITROCHARGER	N33		
<b>SPRING: TO 95 KGS: 40mm</b>	<b>CS014F</b> <sup>4</sup>	2	
NITROCHARGER SPORT	60098		
NITROCHARGER	N33		
SPRING BUSH KIT	OMESB57	2	
	OMESB87		
GEAR BOX PACKER KIT	JWVK01 <sup>1</sup>	1	
GREASABLE SHACKLE KIT	OMEGS11 <sup>2</sup>		
GREASABLE PIN KIT	OMEGP9		
STEERING DAMPER	OMESD40 <sup>3</sup>		
EXTRA LEAF	D23XL	2	
CENTRE BOLT	UCB09		

REAR <i>Estimated Lift: 50mm</i>	ALL MODELS		
	PART NUMBER	QTY	UNIT PRICE \$
<b>SPRING: HARD TOP MEDIUM LOAD TO 200 KGS</b>	<b>CS036R</b> <sup>4</sup>	2	
NITROCHARGER SPORT	60099		
<b>SPRING: SOFT TOP LIGHT LOAD</b>	<b>CS037R</b> <sup>4</sup>	2	
NITROCHARGER SPORT	60099		
SPRING BUSH KIT	OMESB57	2	
	OMESB87		
GREASABLE SHACKLE KIT	OMEGS11 <sup>2</sup>	1	
GREASABLE PIN KIT	OMEGP9		
EXTRA LEAF	D24XL	2	
CENTRE BOLT	UCB09		

### REMARKS:

- 1** JWVK01 fitment reduces driveline vibration.
- 2** Use OMESB57 with original shackles. OMESB87 with OMEGS11 greasable shackles.
- 3** OMESD40 will only fit left hand drive Models.
- 4** Please re-use original U-Bolts.

## JEEP WRANGLER JL SWB 2018 ON

FRONT <i>Estimated Lift: 50mm</i>	3.6L PETROL ENGINE		
	PART NUMBER	QTY	UNIT PRICE \$
<b>SPRING: NO BAR</b>	<b>3160</b>	1	
NITROCHARGER SPORT	60160	2	
<b>SPRING: BAR</b>	<b>3160</b> <span style="border: 1px solid black; padding: 0 2px;">1</span>	1	
NITROCHARGER SPORT	*60162 / 60160	2	
<b>SPRING: BAR AND WINCH</b>	<b>3153</b>	1	
NITROCHARGER SPORT	60162	2	
FRONT LOWER CONTROL ARM - ADJUSTABLE	LCAJLFR <span style="border: 1px solid black; padding: 0 2px;">2</span>	1	
TRIM PACKER	OMEJKPF10 <span style="border: 1px solid black; padding: 0 2px;">4</span>		

REAR <i>Estimated Lift: 50mm</i>	3.6L PETROL ENGINE		
	PART NUMBER	QTY	UNIT PRICE \$
<b>SPRING: MEDIUM LOAD</b>	<b>3161</b>	1	
NITROCHARGER SPORT	60161	2	
<b>SPRING: CONSTANT 150 KGS</b>	<b>3157</b>	1	
NITROCHARGER SPORT	*60163 / 60161	2	
BUMP STOP KIT	FK100 <span style="border: 1px solid black; padding: 0 2px;">3</span>	1	
TRIM PACKER	OMEJLPR10 <span style="border: 1px solid black; padding: 0 2px;">4</span>		

### REMARKS:

- 1** Use OMEJKPF10 to achieve lift with bar only. Do not fit more than one (1) packer per coil spring.
- 2** Fitment of LCAJLFR Front Lower Control Arm is recommended to restore wheel alignment castor settings. LCAJLFR should be set at 5mm longer than OE prior to wheel alignment.
- 3** Fitment of FK100 is mandatory. FK100 Bump Stop Kit prevents springs from going solid.
- 4** For trim adjustment use - Front: OMEJKPF10 Rear: OMEJLPR10. Do not fit more than one (1) packer per coil spring.

## JEEP WRANGLER JL SWB 2018 ON

<b>FRONT</b>		<b>PETROL ENGINE</b>		
<i>Estimated Lift: SPORT 3.5" (90mm)</i>				
<i>RUBICON 2.5" (65mm)</i>	PART NUMBER	QTY	UNIT PRICE \$	
<b>SPRING: NO BAR</b>	<b>3133</b> <input type="checkbox"/>	1		
NITROCHARGER SPORT	60150 <input type="checkbox"/>	2		
<b>SPRING: BAR AND WINCH</b>	<b>3134</b> <input type="checkbox"/>	1		
NITROCHARGER SPORT	60150 <input type="checkbox"/>	2		
<b>BP-51 SELECTION</b>				
BP SHOCK WRANGLER JL FRONT	BP5160033	2		
BP KIT WRANGLER JL FRONT	VM80010038	1		
FRONT LOWER CONTROL ARM - ADJUSTABLE	LCAJLFR <input type="checkbox"/>	1		
BUMP STOP KIT	FK92 <input type="checkbox"/>			
SWAY BAR LINK KIT	FK93 <input type="checkbox"/>			
FRONT UPPER CONTROL ARM - ADJUSTABLE (PAIR)	UCAJLFR <input type="checkbox"/>			
FRONT ADJUSTABLE PANHARD ROD - LHD ONLY (SINGLE)	PANRJL001 <input type="checkbox"/>			
TRIM PACKER	OMEJKPF10 <input type="checkbox"/>			
<b>REAR</b>		<b>SWB MODELS</b>		
<i>Estimated Lift: SPORT 3.5" (90mm)</i>				
<i>RUBICON 2.5" (65mm)</i>	PART NUMBER	QTY	UNIT PRICE \$	
<b>SPRING: MEDIUM LOAD</b>	<b>3136</b> <input type="checkbox"/>	1		
NITROCHARGER SPORT	60151 <input type="checkbox"/>	2		
<b>SPRING: CONSTANT 150 KGS</b>	<b>3137</b> <input type="checkbox"/>	1		
NITROCHARGER SPORT	60151 <input type="checkbox"/>	2		
<b>SPRING: CONSTANT 300 KGS</b>	<b>N/A</b>			
NITROCHARGER SPORT	60151 <input type="checkbox"/>	2		
<b>BP-51 SELECTION</b>				
BP SHOCK WRANGLER JL REAR RH	BP5160034R	1		
BP SHOCK WRANGLER JL REAR LH	BP5160034L	1		
BP KIT WRANGLER JL REAR	VM80010039	1		
REAR LOWER CONTROL ARM - ADJUSTABLE (PAIR)	LCAJKRR <input type="checkbox"/>			
REAR UPPER CONTROL ARM - ADJUSTABLE (PAIR)	UCAJKRR <input type="checkbox"/>			
REAR ADJUSTABLE PANHARD ROD - LHD ONLY (SINGLE)	PANRJL002 <input type="checkbox"/>			
TRIM PACKER	OMEJLPR10 <input type="checkbox"/>			

**Notification Modifications for off road use only.**  
The products listed in this selection chart are deemed by Old Man Emu to be suitable for off road use and their legality for public road use should be certified by the relevant Registration Authority. An Off Road Use Only Disclaimer must be signed by the customer.  
Modifications and replacement of other associated components will be required.

**Lift increase is approximate and will depend on vehicles weights.**

- REMARKS:**
- For trim adjustment use - Front: OMEJKPF10 Rear: OMEJLPR10. Do not fit more than one (1) packer per coil spring.
  - Fitment of LCAJLFR Front Lower Control Arm is required to restore wheel alignment castor settings.
  - Fitment of FK92 is mandatory. FK92 Bump Stop Kit prevents shock absorbers from going solid and fitment of larger tyres. Fitment of FK93 is mandatory. FK93 allows the shocks to extend freely without limit or contact.
  - Fitment not mandatory, however fitment will allow for fine tuning vehicle geometry.
  - Not suitable for models with headlight adjustment, no provision for adjustment link.

## JEEP WRANGLER JL LWB 2018 ON

<b>FRONT</b> <i>Estimated Lift: 50mm</i>	3.6L PETROL ENGINE			2.2L DIESEL ENGINE		
	PART NUMBER	QTY	UNIT PRICE \$	PART NUMBER	QTY	UNIT PRICE \$
<b>SPRING: NO BAR</b>	<b>3153</b>	1		<b>3155</b>	1	
NITROCHARGER SPORT	60160	2		60160	2	
<b>SPRING: BAR</b>	<b>3153</b> <span style="border: 1px solid black; padding: 0 2px;">1</span>	1		<b>3155</b> <span style="border: 1px solid black; padding: 0 2px;">1</span>	1	
NITROCHARGER SPORT	*60162 / 60160	2		*60162 / 60160	2	
<b>SPRING: BAR AND WINCH</b>	<b>3154</b>	1		<b>3156</b>	1	
NITROCHARGER SPORT	60162	2		60162	2	
FRONT LOWER CONTROL ARM - ADJUSTABLE	LCAJLFR <span style="border: 1px solid black; padding: 0 2px;">2</span>	1		LCAJLFR <span style="border: 1px solid black; padding: 0 2px;">2</span>	1	
TRIM PACKER	OMEJKPF10 <span style="border: 1px solid black; padding: 0 2px;">4</span>			OMEJKPF10 <span style="border: 1px solid black; padding: 0 2px;">4</span>		

<b>REAR</b> <i>Estimated Lift: 50mm</i>	3.6L PETROL ENGINE			2.2L DIESEL ENGINE		
	PART NUMBER	QTY	UNIT PRICE \$	PART NUMBER	QTY	UNIT PRICE \$
<b>SPRING: MEDIUM LOAD</b>	<b>3157</b>	1		<b>3137</b>	1	
NITROCHARGER SPORT	60161	2		60161	2	
<b>SPRING: CONSTANT 150 KGS</b>	<b>3158</b>	1		<b>3138</b>	1	
NITROCHARGER SPORT	*60163 / 60161	2		*60163 / 60161	2	
<b>SPRING: CONSTANT 300 KGS</b>	<b>3159</b>	1		<b>3139</b>	1	
NITROCHARGER SPORT	60163	2		60163	2	
BUMP STOP KIT	FK100 <span style="border: 1px solid black; padding: 0 2px;">3</span>	1		FK100 <span style="border: 1px solid black; padding: 0 2px;">3</span>	1	
TRIM PACKER	OMEJLPR10 <span style="border: 1px solid black; padding: 0 2px;">4</span>			OMEJLPR10 <span style="border: 1px solid black; padding: 0 2px;">4</span>		

**REMARKS:**

- 1 Use OMEJKPF10 to achieve lift with bar only. Do not fit more than one (1) packer per coil spring.
- 2 Fitment of LCAJLFR Front Lower Control Arm is recommended to restore wheel alignment castor settings. LCAJLFR should be set at 5mm longer than OE prior to wheel alignment.
- 3 Fitment of FK100 is mandatory. FK100 Bump Stop Kit prevents springs from going solid.
- 4 For trim adjustment use - Front: OMEJKPF10 Rear: OMEJLPR10. Do not fit more than one (1) packer per coil spring.



## JEEP WRANGLER JL LWB 2018 ON

FRONT	PETROL ENGINE			DIESEL ENGINE		
<i>Estimated Lift: SPORT 3.5" (90mm)</i>						
<i>RUBICON 2.5" (65mm)</i>	PART NUMBER	QTY	UNIT PRICE \$	PART NUMBER	QTY	UNIT PRICE \$
<b>SPRING: NO BAR</b>	<b>3134</b> <span style="border: 1px solid black; padding: 0 2px;">1</span>	1		<b>3175</b> <span style="border: 1px solid black; padding: 0 2px;">1</span>	1	
NITROCHARGER SPORT	60150 <span style="border: 1px solid black; padding: 0 2px;">3</span>	2		60150 <span style="border: 1px solid black; padding: 0 2px;">3</span>	2	
<b>SPRING: BAR AND WINCH</b>	<b>3135</b> <span style="border: 1px solid black; padding: 0 2px;">1</span>	1		<b>3162</b> <span style="border: 1px solid black; padding: 0 2px;">1</span>	1	
NITROCHARGER SPORT	60150 <span style="border: 1px solid black; padding: 0 2px;">3</span>	2		60150 <span style="border: 1px solid black; padding: 0 2px;">3</span>	2	
<b>BP-51 SELECTION</b>			<b>BP-51 SELECTION</b>			
BP SHOCK WRANGLER JL FRONT	BP5160033	2		BP5160033	2	
BP KIT WRANGLER JL FRONT	VM80010038	1		VM80010038	1	
FRONT LOWER CONTROL ARM - ADJUSTABLE	LCAJLFR <span style="border: 1px solid black; padding: 0 2px;">2</span>	1		LCAJLFR <span style="border: 1px solid black; padding: 0 2px;">2</span>	1	
BUMP STOP KIT	FK92 <span style="border: 1px solid black; padding: 0 2px;">3</span>			FK92 <span style="border: 1px solid black; padding: 0 2px;">3</span>		
SWAY BAR LINK KIT	FK93			FK93		
FRONT UPPER CONTROL ARM - ADJUSTABLE (PAIR)	UCAJLFR <span style="border: 1px solid black; padding: 0 2px;">4</span>			UCAJLFR <span style="border: 1px solid black; padding: 0 2px;">4</span>		
FRONT ADJUSTABLE PANHARD ROD - LHD ONLY (SINGLE)	PANRJL001 <span style="border: 1px solid black; padding: 0 2px;">4</span>			PANRJL001 <span style="border: 1px solid black; padding: 0 2px;">4</span>		
TRIM PACKER	OMEJKPF10 <span style="border: 1px solid black; padding: 0 2px;">1</span>			OMEJKPF10 <span style="border: 1px solid black; padding: 0 2px;">1</span>		

REAR	LWB MODELS			Notification Modifications for off road use only. The products listed in this selection chart are deemed by Old Man Emu to be suitable for off road use and their legality for public road use should be certified by the relevant Registration Authority. An Off Road Use Only Disclaimer must be signed by the customer. Modifications and replacement of other associated components will be required.		
<i>Estimated Lift: SPORT 3.5" (90mm) RUBICON 2.5" (65mm)</i>	PART NUMBER	QTY	UNIT PRICE \$			
<b>SPRING: MEDIUM LOAD</b>	<b>3137</b> <span style="border: 1px solid black; padding: 0 2px;">1</span>			5 Not suitable for models with headlight adjustment, no provision for adjustment link.		
NITROCHARGER SPORT	60151 <span style="border: 1px solid black; padding: 0 2px;">3</span>	2				
<b>SPRING: CONSTANT 150 KGS</b>	<b>3138</b> <span style="border: 1px solid black; padding: 0 2px;">1</span>	1		5 Not suitable for models with headlight adjustment, no provision for adjustment link.		
NITROCHARGER SPORT	60151 <span style="border: 1px solid black; padding: 0 2px;">3</span>	2				
<b>SPRING: CONSTANT 300 KGS</b>	<b>3139</b> <span style="border: 1px solid black; padding: 0 2px;">1</span>	1		5 Not suitable for models with headlight adjustment, no provision for adjustment link.		
NITROCHARGER SPORT	60151 <span style="border: 1px solid black; padding: 0 2px;">3</span>	2				
<b>BP-51 SELECTION</b>			<b>BP-51 SELECTION</b>			
BP SHOCK WRANGLER JL REAR RH	BP5160034R	1		5 Not suitable for models with headlight adjustment, no provision for adjustment link.		
BP SHOCK WRANGLER JL REAR LH	BP5160034L	1				
BP KIT WRANGLER JL REAR	VM80010039	1		5 Not suitable for models with headlight adjustment, no provision for adjustment link.		
REAR LOWER CONTROL ARM - ADJUSTABLE (PAIR)	LCAJKRR <span style="border: 1px solid black; padding: 0 2px;">4</span>					
REAR UPPER CONTROL ARM - ADJUSTABLE (PAIR)	UCAJKRR <span style="border: 1px solid black; padding: 0 2px;">4</span> <span style="border: 1px solid black; padding: 0 2px;">5</span>			5 Not suitable for models with headlight adjustment, no provision for adjustment link.		
REAR ADJUSTABLE PANHARD ROD - LHD ONLY (SINGLE)	PANRJL002 <span style="border: 1px solid black; padding: 0 2px;">4</span>					
TRIM PACKER	OMEJLPR10 <span style="border: 1px solid black; padding: 0 2px;">1</span>			5 Not suitable for models with headlight adjustment, no provision for adjustment link.		

**REMARKS:**

- 1 For trim adjustment use - Front: OMEJKPF10 Rear: OMEJLPR10. Do not fit more than one (1) packer per coil spring.
- 2 Fitment of LCAJLFR Front Lower Control Arm is required to restore wheel alignment castor settings.
- 3 Fitment of FK92 is **mandatory**. FK92 Bump Stop Kit prevents shock absorbers from going solid and fitment of larger tyres.  
Fitment of FK93 is mandatory. FK93 allows the shocks to extend freely without limit or contact.
- 4 Fitment not mandatory, however fitment will allow for fine tuning vehicle geometry.

## JEEP WRANGLER JK 2 DOOR 2006 TO 2017

FRONT SELECTION						
<b>FRONT</b> <i>Estimated Lift: 50mm</i>	V6 PETROL ENGINE			2.8 DIESEL ENGINE		
	PART NUMBER	QTY	UNIT PRICE \$	PART NUMBER	QTY	UNIT PRICE \$
<b>SPRING: NO BAR</b>	<b>2626</b> <span style="border: 1px solid black; padding: 0 2px;">1</span>	1		<b>2627</b> <span style="border: 1px solid black; padding: 0 2px;">1</span>	1	
<b>SPRING: BAR</b>	<b>2615</b> <span style="border: 1px solid black; padding: 0 2px;">1</span>			<b>2616</b> <span style="border: 1px solid black; padding: 0 2px;">1</span>		
<b>SPRING: BAR AND WINCH</b>	<b>2627</b> <span style="border: 1px solid black; padding: 0 2px;">1</span>	1		<b>2628</b> <span style="border: 1px solid black; padding: 0 2px;">1</span>	1	
NITROCHARGER SPORT	<b>60066</b>	2		<b>60066</b>	2	
STEERING DAMPER	OMESD48			OMESD48		
STEERING STABILISER MOUNT KIT - LHD	FK50	1		FK50	1	
TRIM PACKER	OMEJKPF10			OMEJKPF10		
CASTER CORRECTION KIT	FK53	1		FK53	1	
<b>BP-51 SELECTION</b>						
SHOCK WRANGLER JK FRONT 2"	<b>BP5160031</b>	2		<b>BP5160031</b>	2	
BP KIT WRANGLER JK FRONT +2"/+4 "	<b>VM80010014</b>	1		<b>VM80010014</b>	1	

**REMARKS:**

- 1** For trim adjustment use - Front: OMEJKPF10 Rear: OMEJKPR10. Do not fit more than 1 packer per coil spring.
- 2** FK50 is a mandatory fitment for 2006 To 2008 Models when fitting OMESD48. Left hand drive only.
- 3** FK53 Caster Kit will increase caster angle by 2°. Check manufacturer's specification if Caster Kit is required.

## JEEP WRANGLER JK 2 DOOR 2006 TO 2017

REAR SELECTION			
REAR <i>Estimated Lift: 50mm</i>	ALL MODELS		
	PART NUMBER	QTY	UNIT PRICE \$
<b>SPRING: MEDIUM LOAD</b>	<b>2630</b> <sup>1</sup>	1	
<b>SPRING: CONSTANT 150 KGS</b>	<b>2617</b> <sup>1</sup>	1	
NITROCHARGER SPORT	<b>60067</b>	2	
NITROCHARGER	N198 <sup>3</sup>		
PANHARD ROD EXTENSION BKT KIT - LHD	FK37 <sup>2</sup>	1	
PANHARD ROD EXTENSION BKT KIT - RHD	FK39		
TRIM PACKER	OMEJKPR10		
<b>BP-51 SELECTION</b>			
SHOCK WRANGLER JK REAR 2"	BP5160032	2	
BP KIT WRANGLER JK REAR 2"	VM80010024	1	

SUSPENSION KIT <i>Estimated Lift: 100mm</i>	PETROL ENGINE RHD MODELS <sup>4</sup>			PETROL ENGINE LHD MODELS <sup>4</sup>		
	PART NUMBER	QTY	UNIT PRICE \$	PART NUMBER	QTY	UNIT PRICE \$
<b>4" COMPLETE LIFT KIT</b>	<b>OMEJK4RHD</b> <sup>5</sup>	1		<b>OMEJK4</b> <sup>5</sup>	1	
<i>Estimated Lift: 100mm</i>	DIESEL ENGINE RHD MODELS <sup>4</sup>			DIESEL ENGINE LHD MODELS <sup>4</sup>		
<b>4" COMPLETE LIFT KIT</b>	<b>OMEJK4RHDD</b> <sup>5</sup>	1		<b>OMEJK4D</b> <sup>5</sup>	1	

### REMARKS:

- 1** For trim adjustment use - Front: OMEJKPF10 Rear: OMEJKPR10. Do not fit more than 1 packer per coil spring.
- 2** Fitment of Panhard Rod Extension Bracket Kit is not mandatory, but fitment will improve the ride feel by locating the panhard rod to its original position.
- 3** When existing stock of N198 is exhausted no further product will be available.
- 4** 2012 Models with 3.6L engine will require exhaust or driveshaft modification to avoid contact of driveshaft and exhaust at full droop. When fitting larger than original diameter tyres, it is a requirement to fit aftermarket wheels (rims) that have a greater offset (less backspacing) to ensure that sufficient clearance is given between the tyre to sway bar, sway bar links and control arms.
- 5** Kit includes: 2 x Front Shocks, 2 x Rear Shocks, 1 x (pair) Front Coils, 1 x (pair) Rear Coils, 1 x Steering Damper, 1 x Front Forged Panhard, 1 x Bump Stop Kit, 1 x Brakeline Relocation Kit, 1 x Rear Panhard Bracket Kit, 1 x Sway Bar Link Dis-connect Kit, 1 x Caster & Driveline Kit, 1 x Steering Damper Relocation Kit for LHD Models (not applicable for RHD Models), 2 x Front Trim Packer, 2 x Rear Trim Packer, 1 x Display Carton.

See page 39 for kit breakdown.

# CHRYSLER JEEP

## JEEP WRANGLER JK 4 DOOR 2006 TO 2017

FRONT SELECTION						
FRONT <i>Estimated Lift: 50mm</i>	V6 PETROL ENGINE			2.8 DIESEL ENGINE		
	PART NUMBER	QTY	UNIT PRICE \$	PART NUMBER	QTY	UNIT PRICE \$
<b>SPRING: NO BAR</b>	<b>2627</b> <sup>1</sup>	1		<b>2628</b> <sup>1</sup>	1	
<b>SPRING: BAR</b>	<b>2616</b>			<b>2619</b>		
<b>SPRING: BAR AND WINCH</b>	<b>2628</b> <sup>1</sup>	1		<b>2629</b> <sup>1</sup>	1	
NITROCHARGER SPORT	<b>60066</b>	2		<b>60066</b>	2	
STEERING DAMPER	OMESD48			OMESD48		
STEERING STABILIZER MOUNT KIT - LHD	FK50	1		FK50	1	
TRIM PACKER	OMEJKPF10			OMEJKPF10		
CASTER CORRECTION KIT	FK53 <sup>4</sup>	1		FK53 <sup>4</sup>	1	
<b>BP-51 SELECTION</b>						
SHOCK WRANGLER JK FRONT 2"	<b>BP5160031</b>	2		<b>BP5160031</b>	2	
BP KIT WRANGLER JK FRONT +2"/+4 "	<b>VM80010014</b>	1		<b>VM80010014</b>	1	

### REMARKS:

- 1** For trim adjustment use - Front: OMEJKPF10 Rear: OMEJKPR10 Do not fit more than 1 packer per coil spring.
- 2** FK50 is a mandatory fitment for 2006 To 2008 Models when fitting OMESD48. Left hand drive only.
- 3** FK53 Caster Kit will increase caster angel by 2°. Check manufacturer's specification if Caster Kit is required.

## JEEP WRANGLER JK 4 DOOR 2006 TO 2017

REAR SELECTION			
REAR <i>Estimated Lift: 50mm</i>	ALL MODELS		
	PART NUMBER	QTY	UNIT PRICE \$
<b>SPRING: MEDIUM LOAD</b>	<b>2617</b> <sup>1</sup>	1	
<b>SPRING: CONSTANT 150 KGS</b>	<b>2618</b>		
<b>SPRING: CONSTANT 300 KGS</b>	<b>2620</b> <sup>1</sup>	1	
NITROCHARGER SPORT	<b>60067</b>	2	
NITROCHARGER	N198 <sup>3</sup>		
PANHARD ROD EXTENSION BKT KIT - LHD	FK37 <sup>2</sup>	1	
PANHARD ROD EXTENSION BKT KIT - RHD	FK39		
TRIM PACKER	OMEJKPR10		
<b>BP-51 SELECTION</b>			
SHOCK WRANGLER JK REAR 2"	BP5160032	2	
BP KIT WRANGLER JK REAR 2"	VM80010024	1	

SUSPENSION KIT <i>Estimated Lift: 100mm</i>	PETROL ENGINE RHD MODELS <sup>4</sup>			PETROL ENGINE LHD MODELS <sup>4</sup>		
	PART NUMBER	QTY	UNIT PRICE \$	PART NUMBER	QTY	UNIT PRICE \$
<b>4" COMPLETE LIFT KIT</b>	<b>OMEJK4RHD</b> <sup>2</sup>	1		<b>OMEJK4</b> <sup>2</sup>	1	
<i>Estimated Lift: 100mm</i>	DIESEL ENGINE RHD MODELS <sup>4</sup>			DIESEL ENGINE LHD MODELS <sup>4</sup>		
	<b>4" COMPLETE LIFT KIT</b>	<b>OMEJK4RHDD</b> <sup>2</sup>	1		<b>OMEJK4D</b> <sup>2</sup>	1

### REMARKS:

- 1** For trim adjustment use - Front: OMEJKPF10 Rear: OMEJKPR10 Do not fit more than 1 packer per coil spring.
- 2** Fitment of Panhard Rod Extension Bracket Kit is not mandatory, but fitment will improve the ride feel by locating the panhard rod to its original position.
- 3** When existing stock of N198 is exhausted no further product will be available.
- 4** 2012 Models with 3.6L engine will require exhaust or driveshaft modification to avoid contact of driveshaft and exhaust at full droop. When fitting larger than original diameter tyres, it is a requirement to fit aftermarket wheels (rims) that have a greater offset (less backspacing) to ensure that sufficient clearance is given between the tyre to sway bar, sway bar links and control arms.
- 5** Kit includes: 2 x Front Shocks, 2 x Rear Shocks, 1 x (pair) Front Coils, 1 x (pair) Rear Coils, 1 x Steering Damper, 1 x Front Forged Panhard, 1 x Bump Stop Kit, 1 x Brakeline Relocation Kit, 1 x Rear Panhard Bracket Kit, 1 x Sway Bar Link Dis-connect Kit, 1 x Caster & Driveline Kit, 1 x Steering Damper Relocation Kit for LHD Models (not applicable for RHD Models), 2 x Front Trim Packer, 2 x Rear Trim Packer, 1 x Display Carton.

See page 39 for kit breakdown.

# OFF ROAD USE ONLY - CHRYSLER

## JEEP WRANGLER JK

FRONT SELECTION				
FRONT	PART NUMBER	QTY	UNIT PRICE \$	COMMENTS
<b>COILS</b>				
100mm LIFT - PETROL	2642	1		
100mm LIFT - DIESEL	3047			
<b>SHOCKS</b>				
NITROCHARGER SPORT - MID LENGTH	60066M	2		
NITROCHARGER SPORT - LONG	60066L			
<b>BP-51 SELECTION</b>				
SHOCK: JEEP 4+ FRONT 633	BP5160021	2		Suitable for OMEJK4 Kits
SHOCK: JEEP 4+ FRONT 683	BP5160022			Longer travel front shock (other modifications required)
KIT: JEEP 4+ FRONT	VM80010014	1		
<b>STEERING DAMPER</b>				
STABILISER	OMESD48	1		
<b>COMPONENTS</b>				
CASTER KIT	FK53	1		Front caster only, increases caster by 2°
CASTER & DRIVELINE KIT	FK49			Adjust front caster and rear pinion angle
BRAKELINE RELOCATION KIT (F&R)	FK46			
SWAY BAR LINK DIS-CONNECT KIT (F&R)	FK48			Suits 100mm lift
FRONT SWAY BAR LINK	3460010SP	2		Link only, suits 100mm lift
SWAY BAR LINK BUSH SET	OMESB3023			Suits Front Sway Bar Link 3460010
FRONT LOWER CONTROL ARM	LCAJKFR	1		Suits SWB and Unlimited Models (1 pair)
FRONT UPPER CONTROL ARM	UCAJKFR			Suits SWB and Unlimited Models (1 pair)
ADJUSTABLE FRONT PANHARD ROD	PANRJK002			LHD, Fabricated, suits LHD only
	PANRJK003		RHD	
BUMP STOP EXTENSION KIT (F&R)	FK40			
TRIM PACKER	OMEJKPF10			10mm

### Notification: Modifications for off - road use only

The products listed in this selection chart are deemed by Old Man Emu to be suitable for off road use and their legality for public road use should be certified by the relevant Registration Authority. An Off Road Use Only Disclaimer must be signed by the customer.

Modifications and replacement of other associated components will be required.

**Lift increase is approximate and will depend on vehicle weights. SWB Models may achieve more than estimated 4 inches of lift.**

### Warranty Implications

The fitter selling these shocks **must** inform the customer there is **no warranty** due to the severe nature of competition racing.

The fitter must also note on the customer's receipt "racing application no warranty applies". This will prevent any future misunderstanding.

2012 Models with 3.6L engine will require exhaust or driveshaft modification to avoid contact of driveshaft and exhaust at full droop.

When fitting larger than original diameter tyres, it is a requirement to fit aftermarket wheels (rims) that have a greater offset (less backspacing) to ensure that sufficient clearance is given between the tyre to sway bar, sway bar links and control arms.

# OFF ROAD USE ONLY - CHRYSLER

## JEEP WRANGLER JK

REAR SELECTION				
REAR	PART NUMBER	QTY	UNIT PRICE \$	COMMENTS
<b>COILS</b>				
100mm LIFT - MEDIUM	2643	1		
100mm LIFT - CONSTANT 300KG	3046			
<b>SHOCKS</b>				
NITROCHARGER SPORT - LONG	60067L	2		
<b>BP-51 SELECTION</b>				
SHOCK: JEEP 4+ REAR 685	BP5160030	2		
KIT: JEEP 4+ REAR	VM80010015	1		
<b>COMPONENTS</b>				
REAR PANHARD BRACKET KIT	FK47	1		LHD, suits 100mm lift
	FK47RHD			RHD, suits 100mm lift
REAR SWAY BAR LINK	3460011SP	2		Link only, suits 100mm lift
REAR LOWER CONTROL ARM	LCAJKRR	1		Suits SWB & Unlimited Models (1 pair)
REAR UPPER CONTROL ARM	UCAJKRR			Suits SWB & Unlimited Models (1 pair)
TRIM PACKER	OMEJKPR10			
<b>COMPLETE KIT</b>				
100mm (4 Inch) LIFT KIT	OMEJK4RHD	1		PETROL ENGINE RHD MODELS
100mm (4 Inch) LIFT KIT	OMEJK4			PETROL ENGINE LHD MODELS
100mm (4 Inch) LIFT KIT	OMEJK4RHDD			DIESEL ENGINE RHD MODELS
100mm (4 Inch) LIFT KIT	OMEJK4D			DIESEL ENGINE LHD MODELS

### KIT INCLUDES:

2 x Front Shocks, 2 x Rear Shocks, 1 x (pair) Front Coils, 1 x (pair) Rear Coils, 1 x Steering Damper, 1 x Front Forged Panhard, 1 x Bump Stop Kit, 1 x Brakeline Relocation Kit, 1 x Rear Panhard Bracket Kit, 1 x Sway Bar Link Dis-Connect Kit, 1 x Caster & Driveline Kit, 2 x Front Trim Packer, 2 x Rear Trim Packer, 1 x Display Carton.

### Notification: Modifications for off - road use only

The products listed in this selection chart are deemed by Old Man Emu to be suitable for off road use and their legality for public road use should be certified by the relevant Registration Authority. An Off Road Use Only Disclaimer must be signed by the customer.

Modifications and replacement of other associated components will be required.

**Lift increase is approximate and will depend on vehicle weights. SWB Models may achieve more than estimated 4 inches of lift.**

### Warranty Implications

The fitter selling these shocks **must** inform the customer there is **no warranty** due to the severe nature of competition racing.

The fitter must also note on the customer's receipt "racing application no warranty applies". This will prevent any future misunderstanding.

2012 Models with 3.6L engine will require exhaust or driveshaft modification to avoid contact of driveshaft and exhaust at full droop.

When fitting larger than original diameter tyres, it is a requirement to fit aftermarket wheels (rims) that have a greater offset (less backspacing) to ensure that sufficient clearance is given between the tyre to sway bar, sway bar links and control arms.

## DODGE RAM 1500 DS

FRONT <i>Estimated Lift: 40 - 45mm</i>	5.7L PETROL & 3.0L DIESEL ENGINES		
	PART NUMBER	QTY	UNIT PRICE \$
<b>SPRING: NO BAR</b>	<b>3163</b> <span style="border: 1px solid black; padding: 0 2px;">2</span>	1	
NITROCHARGER SPORT	90044 <span style="border: 1px solid black; padding: 0 2px;">1</span> <span style="border: 1px solid black; padding: 0 2px;">4</span>	2	
<b>SPRING: BAR</b>	<b>3164</b> <span style="border: 1px solid black; padding: 0 2px;">2</span>	1	
NITROCHARGER SPORT	90044 <span style="border: 1px solid black; padding: 0 2px;">1</span> <span style="border: 1px solid black; padding: 0 2px;">4</span>	2	
<b>SPRING: BAR AND WINCH</b>	<b>3165</b> <span style="border: 1px solid black; padding: 0 2px;">2</span>	1	
NITROCHARGER SPORT	90044 <span style="border: 1px solid black; padding: 0 2px;">1</span> <span style="border: 1px solid black; padding: 0 2px;">4</span>	2	
TRIM PACKER	OME95PF5 <span style="border: 1px solid black; padding: 0 2px;">2</span>	1	

REAR <i>Estimated Lift: 40 - 45mm</i>	5.7L PETROL & 3.0L DIESEL ENGINES		
	PART NUMBER	QTY	UNIT PRICE \$
<b>SPRING: MEDIUM LOAD</b>	<b>3167</b>	1	
NITROCHARGER SPORT	60164 <span style="border: 1px solid black; padding: 0 2px;">3</span>	2	
<b>SPRING: CONSTANT 300 KGS</b>	<b>3168</b>	1	
NITROCHARGER SPORT	*60165 / 60164 <span style="border: 1px solid black; padding: 0 2px;">3</span>	2	
<b>SPRING: CONSTANT 600 KGS</b>	<b>3169</b>	1	
NITROCHARGER SPORT	60165 <span style="border: 1px solid black; padding: 0 2px;">3</span>	2	
REAR SHOCK TOOL	FK102 <span style="border: 1px solid black; padding: 0 2px;">3</span>	1	

### REMARKS:

- 1 No top mounting bushes supplied. Re-use OE Top Hat, Dirt Shield and Bump Stop.
- 2 Trim packer OME95PF5 provides approximately 10mm lift at wheel. Do not fit more than one (1) packer per coil spring.
- 3 Workshop tool FK102 recommended for rear shock fitment.
- 4 OME coils and struts must be fitted together due to different winding of the lower coil seat.



## RANGER (USA MODEL ONLY)

FRONT <i>Estimated Lift: 60mm</i>	PETROL ENGINE		
	PART NUMBER	QTY	UNIT PRICE \$
<b>SPRING: No Bar</b>	<b>3140</b>	1	
STRUT SPORT	90040 <sup>1</sup>	2	
<b>SPRING: Bar</b>	<b>3140</b> <sup>7</sup>	1	
STRUT SPORT	90040 <sup>1</sup>	2	
<b>SPRING: Bar / Winch</b>	<b>3141</b>	1	
STRUT SPORT	90040 <sup>1</sup>	2	
TRIM PACKER	FK94 <sup>7</sup>		

REAR <i>Estimated Lift: 40mm</i>	ALL MODELS		
	PART NUMBER	QTY	UNIT PRICE \$
<b>SPRING: MEDIUM LOAD</b>	<b>EL120R</b> <sup>3</sup>	2	
NITROCHARGER SPORT	60156		
<b>SPRING: CONSTANT 600 LBS</b>	<b>EL121R</b> <sup>3</sup>	2	
NITROCHARGER SPORT	*60157 / 60156		
<b>SPRING: CONSTANT 1200 LBS</b>	<b>EL128R</b> <sup>3</sup>	2	
NITROCHARGER SPORT	60157		
GREASABLE SHACKLE KIT	OMEGS20	1	
GREASABLE PIN KIT	OMEGP10		
SPRING BUSH KIT	OMESB117 <sup>2</sup>	2	
	OMESB118		
U BOLTS	OMEU81 <sup>3</sup>	4	
	OMEU82 <sup>3</sup>		
	OMEU83 <sup>3</sup>		
EXTRA LEAF	EL34XL <sup>4</sup>	2	
LEAF SPRING FRONT EYE BOLT KIT (optional)	FK95 <sup>6</sup>		

### REMARKS:

- 1** No top mounting bushes supplied, re-use OE Top Hat, Dirt Shield and Bump Stop.
- 2** OMESB117 suits OE Shackle.  
OMESB118 Bush Kit suits OME Greasable Shackle OMEGS20.
- 3** Use OMEU81 when fitting EL120R.  
Use OMEU82 when fitting EL121R.  
Use OMEU83 when fitting EL128R.
- 4** EL34XL will give approximately 30mm extra lift or increase loading capacity at design height by approximately 600lbs.
- 5** Trim Packer FK94 provides 10mm lift at the wheel.
- 6** FK95 is a recommended fitment if original leaf spring fixed eye nut bolts are in poor condition. Ensure correct torque specifications are used in supplied fitting instruction.
- 7** FK94 Trim Packer required to achieve estimated lift.

## FORD RANGER RAPTOR 2018 ON

<b>FRONT</b>	<b>DIESEL ENGINE</b>		
<i>Estimated Lift: 25mm</i>	PART NUMBER	QTY	UNIT PRICE \$
<b>SPRING: NO BAR / ARB BAR</b>	3181	1	
STRUT	USE OE <input type="checkbox"/>		

<b>REAR</b>	<b>ALL MODELS</b>		
<i>Estimated Lift: 25mm</i> <input type="checkbox"/>	PART NUMBER	QTY	UNIT PRICE \$
<b>SPRING: MEDIUM LOAD</b>	<b>3182</b> <input type="checkbox"/>	1	
SHOCK	USE OE <input type="checkbox"/>		
<b>SPRING: CONSTANT 200KG</b>	<b>3183</b> <input type="checkbox"/>	1	
SHOCK	USE OE <input type="checkbox"/>		

**REMARKS:**

- 1** Coils only to be fitted to OE struts and shocks.
- 2** Coils are designed to give 25mm lift at designated carrying capacity (medium or constant 200kg). OE ride height will be achieved with extra 200kg over nominated weight (200kg or 400kg).

## RANGER PXIII MY19 2018 ON

<b>FRONT SELECTION</b>			
<b>FRONT</b> <i>Estimated Lift: 45mm</i>	<b>DIESEL ENGINE</b>		
	PART NUMBER	QTY	UNIT PRICE \$
<b>SPRING: No Bar</b>	<b>3141</b>	1	
STRUT SPORT	90038 <span style="border: 1px solid black; padding: 0 2px;">1</span>	2	
<b>SPRING: Bar</b>	<b>3142</b>	1	
STRUT SPORT	*90039 / 90038 <span style="border: 1px solid black; padding: 0 2px;">1</span>	2	
<b>SPRING: Bar / Winch</b>	<b>3143</b>	1	
STRUT SPORT	90039 <span style="border: 1px solid black; padding: 0 2px;">1</span>	2	
<b>SPRING: No Bar: 30mm LIFT</b>	<b>3140</b>	1	
STRUT SPORT	90038 <span style="border: 1px solid black; padding: 0 2px;">1</span>	2	
<b>BP-51 SELECTION: Not PXIII With 2.0 Bi-Turbo Engine</b>			
BP-51 COIL OVER FRONT RH	BP5190011R	1	
BP-51 COIL OVER FRONT LH	BP5190011L		
BP FIT KIT FRONT	VM80010027		
<b>BP-51 SELECTION: PXIII With 2.0 Bi-Turbo Engine</b>			
BP-51 COIL OVER FRONT RH	BP5190012R	1	
BP-51 COIL OVER FRONT LH	BP5190012L		
BP FIT KIT FRONT	VM80010040		
UPPER CONTROL ARM	UCA0002 <span style="border: 1px solid black; padding: 0 2px;">4</span>		
TRIM PACKER	FK94 <span style="border: 1px solid black; padding: 0 2px;">2</span>		
STRUT TOP HAT KIT	OMETH009 <span style="border: 1px solid black; padding: 0 2px;">3</span>		

**REMARKS:**

- 1** No top mounting bushes supplied, re-use OE Top Hat, Dirt Shield and Bump Stop.
- 2** Trim Packer FK94 provides 10mm lift at the wheel.
- 3** Strut Top Hat Kit may be required if original equipment is worn.
- 4** The OME Upper Control Arm will provide an increase between +2.5 and +3.5 degrees of caster and up to 1.5 degrees of negative camber increase (figures based off an approximate 50mm lift). Please note after fitment of Upper Control Arm a vehicle wheel alignment will be required.

## RANGER PXIII MY19 2018 ON

REAR SELECTION					
REAR <i>Estimated Lift: 50mm</i>	ALL MODELS				
	PART NUMBER	QTY	UNIT PRICE \$		
<b>SPRING: MEDIUM LOAD</b>	<b>EL126R</b> <span style="border: 1px solid black; padding: 0 2px;">2</span>	2			
NITROCHARGER SPORT	*60101 / 60023				
<b>SPRING: CONSTANT 300 KGS</b>	<b>EL127R</b> <span style="border: 1px solid black; padding: 0 2px;">2</span>	2			
NITROCHARGER SPORT	*60102 / 60101				
<b>SPRING: CONSTANT 600 KGS</b>	<b>EL128R</b> <span style="border: 1px solid black; padding: 0 2px;">2</span>	2			
NITROCHARGER SPORT	60102				
<b>BP-51 SELECTION</b>					
BP-51 SHOCK REAR RH	*BP5160037R / BP5160027R	1			
BP-51 SHOCK REAR LH	*BP5160037L / BP5160027L				
BP FIT KIT REAR	VM80010012				
GREASABLE SHACKLE KIT	OMEGS20	1			
GREASABLE PIN KIT	<sup>7</sup> EL102R/EL103R/EL126R/EL127R/EL128R			1	
	<sup>7</sup> EL049R/EL068R				
SPRING BUSH KITS	<sup>7</sup> EL102R/EL103R/EL126R/EL127R/EL128R	2			
	OMESB117 <span style="border: 1px solid black; padding: 0 2px;">1</span>				
	OMESB118	1			
	<sup>7</sup> EL049R/EL068R				
U BOLTS	OMESB102 <span style="border: 1px solid black; padding: 0 2px;">1</span>	4			
	OMESB103				
	OMEU66 <span style="border: 1px solid black; padding: 0 2px;">2</span>				
	OMEU66A <span style="border: 1px solid black; padding: 0 2px;">2</span>				
	OMEU66B				
DRIVELINE SPACER KIT	FK57 <span style="border: 1px solid black; padding: 0 2px;">3</span> <span style="border: 1px solid black; padding: 0 2px;">5</span>	1			
EXTRA LEAF	EL34XL <span style="border: 1px solid black; padding: 0 2px;">4</span>	2			
TRIM PACKER	ELSK05				
EXTRA LEAF SPACER KIT	ELSK12	2			
LEAF SPRING FRONT EYE BOLT KIT (optional)	FK95 <span style="border: 1px solid black; padding: 0 2px;">6</span>				
CENTRE BOLT	REFER TO LEAF SPRING SERVICE PARTS page 174				

### REMARKS:

- 1** OMESB117 suits OE Shackle - <sup>7</sup>EL102R/<sup>7</sup>EL103R/EL126R/EL127R/EL128R.  
OMESB102 suits OE Shackle - EL049R/<sup>7</sup>EL068R  
OMESB118 Bush Kit suits OME Greasable Shackle OMEGS20 - <sup>7</sup>EL102R/<sup>7</sup>EL103R/EL126R/EL127R/EL128R.  
OMESB103 suits OME Greasable Shackle OMEGS20 - EL049R/<sup>7</sup>EL068R
- 2** Use OMEU66 when fitting <sup>7</sup>EL102R/EL126R.  
Use OMEU66A when fitting <sup>7</sup>EL103R/EL127R/EL128R.  
Use OMEU66B when fitting EL128R with EL34XL.
- 3** Fitment of Driveline Spacer Kit FK57 is recommended to re-align driveline.
- 4** EL34XL will give approximately 30mm extra lift or increase loading capacity at design height by approximately 300kg.
- 5** If a TAD110 Frontier tank is installed in the vehicle, when fitting the FK57 spacer kit, the tank will need to be lowered to allow removal of the centre bearing bolts.
- 6** FK95 is a recommended fitment if original leaf spring fixed eye nut bolts are in poor condition. Ensure correct torque specifications are used in supplied fitting instruction.
- 7** When remaining stock of EL068R, EL102R and EL103R is exhausted no further product will be available.

## RANGER PX 2011 TO 2018<sup>9</sup>

FRONT <i>Estimated Lift: 50mm</i>		DIESEL ENGINE		
		PART NUMBER	QTY	UNIT PRICE \$
<b>SPRING: No Bar</b>		<b>2997</b>	1	
STRUT SPORT		90019 <span style="border: 1px solid black; padding: 0 2px;">1</span>	2	
<b>SPRING: Bar</b>		<b>2998</b>	1	
STRUT SPORT		*90020 / 90019 <span style="border: 1px solid black; padding: 0 2px;">1</span>	2	
<b>SPRING: Bar / Winch</b>		<b>2999</b>	1	
STRUT SPORT		90020 <span style="border: 1px solid black; padding: 0 2px;">1</span>	2	
<b>SPRING: No Bar: 30mm LIFT</b>		<b>3048</b>	1	
STRUT SPORT		90019 <span style="border: 1px solid black; padding: 0 2px;">1</span>	2	
<b>BP-51 SELECTION: Estimated Lift: 30 - 40mm</b>				
BP-51 COIL OVER FRONT RH		BP5190005R	1	
BP-51 COIL OVER FRONT LH		BP5190005L		
BP FIT KIT FRONT		VM80010011		
UPPER CONTROL ARM		UCA0002 <span style="border: 1px solid black; padding: 0 2px;">10</span>		
TRIM PACKER		FK56 <span style="border: 1px solid black; padding: 0 2px;">2</span>		
UPPER STRUT BUSHES		OME3135 <span style="border: 1px solid black; padding: 0 2px;">1</span>	2	
STRUT TOP HAT KIT		OMETH006 <span style="border: 1px solid black; padding: 0 2px;">7</span>		
REAR <i>Estimated Lift: 50mm</i>		ALL MODELS		
		PART NUMBER	QTY	UNIT PRICE \$
<b>SPRING: MEDIUM LOAD</b>		<b>EL126R</b> <span style="border: 1px solid black; padding: 0 2px;">4</span>	2	
NITROCHARGER SPORT		*60101 / 60023		
<b>SPRING: CONSTANT 300 KGS</b>		<b>EL127R</b> <span style="border: 1px solid black; padding: 0 2px;">4</span>	2	
NITROCHARGER SPORT		*60102 / 60101		
<b>SPRING: CONSTANT 600 KGS</b>		<b>EL128R</b> <span style="border: 1px solid black; padding: 0 2px;">4</span>	2	
NITROCHARGER SPORT		60102		
<b>BP-51 SELECTION</b>				
BP-51 SHOCK REAR RH		*BP5160037R / BP5160027R	1	
BP-51 SHOCK REAR LH		*BP5160037L / BP5160027L		
BP FIT KIT REAR		VM80010012		
GREASABLE SHACKLE KIT		OMEGB20		
GREASABLE PIN KIT	<sup>11</sup> EL102R/EL103R/EL126R/EL127R/EL128R	OMEGP10	1	
	<sup>11</sup> EL049R/EL068R	OMEGP9		
SPRING BUSH KITS	<sup>11</sup> EL102R/EL103R/EL126R/EL127R/EL128R	OMESB117 <span style="border: 1px solid black; padding: 0 2px;">3</span>	2	
		OMESB118		
	<sup>11</sup> EL049R/EL068R	OMESB102 <span style="border: 1px solid black; padding: 0 2px;">3</span>		
		OMESB103		
U BOLTS		OMEU66 <span style="border: 1px solid black; padding: 0 2px;">4</span>	4	
		OMEU66A <span style="border: 1px solid black; padding: 0 2px;">4</span>		
		OMEU66B <span style="border: 1px solid black; padding: 0 2px;">4</span>		
DRIVELINE SPACER KIT		FK57 <span style="border: 1px solid black; padding: 0 2px;">5</span> <span style="border: 1px solid black; padding: 0 2px;">8</span>	1	
EXTRA LEAF		EL34XL <span style="border: 1px solid black; padding: 0 2px;">6</span>	2	
TRIM PACKER		ELSK05		
EXTRA LEAF SPACER KIT		ELSK12	2	
CENTRE BOLT		REFER TO LEAF SPRING SERVICE PARTS page 174		

### REMARKS:

- 1** No top mounting bushes supplied, use OME3135. OE bushes may be re-used if in good condition.
- 2** Trim Packer FK56 provides 10mm lift at the wheel.
- 3** OMESB117 suits OE Shackle - <sup>11</sup>EL102R/<sup>11</sup>EL103R/EL126R/EL127R/EL128R.  
OMESB102 suits OE Shackle - EL049R/<sup>11</sup>EL068R.  
OMESB118 Bush Kit suits OME Greasable Shackle OMEGB20 - <sup>11</sup>EL102R/<sup>11</sup>EL103R/EL126R/EL127R/EL128R.  
OMESB103 suits OME Greasable Shackle OMEGB20 - EL049R/<sup>11</sup>EL068R.
- 4** Use OMEU66 when fitting <sup>11</sup>EL102R/EL126R.  
Use OMEU66A when fitting <sup>11</sup>EL103R/EL127R/EL128R.  
Use OMEU66B when fitting EL128R with EL34XL.
- 5** Fitment of Driveline Spacer Kit FK57 is recommended to re-align driveline.
- 6** EL34XL will give approximately 30mm extra lift or increase loading capacity at design height by approximately 300kg.
- 7** Strut Top Hat Kit may be required if original equipment is worn.
- 8** If a TAD110 Frontier tank is installed in the vehicle, when fitting the FK57 spacer kit, the tank will need to be lowered to allow removal of the centre bearing bolts.
- 9** **Important:** Please refer to TSB003.
- 10** The OME Upper Control Arm will provide an increase between +2.5 and +3.5 degrees of caster and up to 1.5 degrees of negative camber increase (figures based off an approximate 50mm lift). Please note after fitment of Upper Control Arm a vehicle wheel alignment will be required.
- 11** When remaining stock of EL068R, EL102R and EL103R is exhausted no further product will be available.

## RANGER PJ/PK 12/2006 TO 2011 ALL MODELS

(NOT USA MANUFACTURED MODEL)

FRONT	PETROL & DIESEL ENGINES		
	PART NUMBER	QTY	UNIT PRICE \$
TORSION BARS: OVER 60 KGS	303013 <sup>4</sup>	1	
TORSION BARS	303005		
NITROCHARGER SPORT	60022	2	
NITROCHARGER	N194 <sup>1</sup> <sub>5</sub>		
FITTING KIT	FK22 <sup>1</sup>	1	

### REMARKS:

Note: Some South American Models, built in Argentina, use torsion bars with hexagonal ends. Above OME suspension is not suitable for these Models.

**1** FK22 Front Shock Absorber Upper Mount Support Bracket Kit is a **mandatory** fitment.

**2** Include tray weight in constant load calculation.

**3** Use OMEU66 when fitting CS056R and EL049R. Use OMEU66A when fitting CS060R.

**4** For Models with 2.5TD engine measure length of Torsion Bar to determine correct fitment.

303005 - 925mm.  
303013 - 1024mm.

**5** When remaining stock of N187 and N194 is exhausted no further product will be available.

**6** D34XL and UCB19 suits CS056R and CS060R.  
EL34XL suits EL049R.

REAR <i>Estimated Lift: 20mm</i>	ALL MODELS		
	PART NUMBER	QTY	UNIT PRICE \$
<b>SPRING: MEDIUM LOAD</b>	CS056R <sup>2</sup> <sub>3</sub> <sub>6</sub>	2	
NITROCHARGER SPORT	60023		
<b>SPRING: CONSTANT 200 KGS</b>	EL049R <sup>2</sup> <sub>3</sub> <sub>6</sub>	2	
NITROCHARGER SPORT	60023		
<b>SPRING: CONSTANT 400 KGS</b>	CS060R <sup>2</sup> <sub>3</sub> <sub>6</sub>	2	
NITROCHARGER SPORT	*60102 / 60023		
GREASABLE SHACKLE KIT	OMEGS18	1	
GREASABLE PIN KIT	OMEGP14		
U BOLTS	OMEU66 <sup>3</sup>	4	
	OMEU66A		
SPRING BUSH KIT	OMESB97		
EXTRA LEAF	D34XL / EL34XL <sup>6</sup>	2	
CENTRE BOLT	UCB19		

## COURIER/RANGER 1 TONNE

1985 TO 2005 ALL MODELS (NOT USA MANUFACTURED MODEL)

FRONT	PETROL & DIESEL ENGINES		
	PART NUMBER	QTY	UNIT PRICE \$
TORSION BARS: OVER 60 KGS	303005	1	
NITROCHARGER SPORT	60022	2	
NITROCHARGER	N51 <sup>1</sup> <sub>3</sub>		
FITTING KIT	FK22 <sup>1</sup>	1	

### REMARKS:

**1** FK22 Support Brackets **must** be installed to upper front shock mounting brackets on late 1996 On Models manufactured in Thailand.

**2** Include tray weight in constant load calculation.

**3** When remaining stock of N51 is exhausted no further product will be available.

REAR <i>Estimated Lift: 20mm</i>	ALL MODELS		
	PART NUMBER	QTY	UNIT PRICE \$
<b>SPRING: MEDIUM LOAD</b>	CS026R <sup>2</sup>	2	
NITROCHARGER SPORT	60023		
<b>SPRING: CONSTANT 200 KGS</b>	CS027R <sup>2</sup>	2	
NITROCHARGER SPORT	60023		
U BOLTS	OMEU65	4	
GREASABLE SHACKLE KIT	OMEGS18	1	
SPRING BUSH KIT	OMESB82		
EXTRA LEAF	D9XL	2	
CENTRE BOLT	UCB17		

## EVEREST MY19 2018 ON

FRONT <i>Estimated Lift: 30mm</i>	DIESEL ENGINE		
	PART NUMBER	QTY	UNIT PRICE \$
<b>SPRING: No Bar</b>	<b>3140</b>	1	
STRUT SPORT	90038 <span style="border: 1px solid black; padding: 0 2px;">1</span>	2	
<b>SPRING: Bar</b>	<b>3141</b>	1	
STRUT SPORT	*90039 / 90038 <span style="border: 1px solid black; padding: 0 2px;">1</span>	2	
<b>SPRING: Bar / Winch</b>	<b>3142</b>	1	
STRUT SPORT	90039 <span style="border: 1px solid black; padding: 0 2px;">1</span>	2	
TRIM PACKER	FK94 <span style="border: 1px solid black; padding: 0 2px;">2</span>		
STRUT TOP HAT KIT	OMETH009 <span style="border: 1px solid black; padding: 0 2px;">4</span>		

REAR <i>Estimated Lift: 30-40mm</i>	ALL MODELS		
	PART NUMBER	QTY	UNIT PRICE \$
<b>SPRING: MEDIUM LOAD</b>	<b>3106</b>	1	
NITROCHARGER SPORT	60144 <span style="border: 1px solid black; padding: 0 2px;">3</span>	2	
<b>SPRING: CONSTANT 300 KGS</b>	<b>3107</b>	1	
NITROCHARGER SPORT	*60145 / 60144 <span style="border: 1px solid black; padding: 0 2px;">3</span>	2	

### REMARKS:

- 1** No top mounting bushes supplied re use OE Top Hat, Dirt Shield and Bump Stop.
- 2** Trim Packer FK94 provides 10mm lift at the wheel.
- 3** Re-use rear OE Top Damper Forged Bracket, Bushes, Dirt Shield, Bump Stops and Fasteners for the assembly of the rear shock.
- 4** Strut Top Hat Kit may be required if original equipment is worn.

## EVEREST 2015 TO 2018

FRONT <i>Estimated Lift: 40mm</i>	DIESEL ENGINE		
	PART NUMBER	QTY	UNIT PRICE \$
<b>SPRING: No Bar</b>	<b>3048</b>	1	
STRUT SPORT	90019 <span style="border: 1px solid black; padding: 0 2px;">1</span>	2	
<b>SPRING: Bar</b>	<b>2997</b>	1	
STRUT SPORT	*90020 / 90019 <span style="border: 1px solid black; padding: 0 2px;">1</span>	2	
<b>SPRING: Bar / Winch</b>	<b>2998</b>	1	
STRUT SPORT	90020 <span style="border: 1px solid black; padding: 0 2px;">1</span>	2	
TRIM PACKER	FK56 <span style="border: 1px solid black; padding: 0 2px;">2</span>		
UPPER STRUT BUSHES	OME3135 <span style="border: 1px solid black; padding: 0 2px;">1</span>	2	
STRUT TOP HAT KIT	OMETH006 <span style="border: 1px solid black; padding: 0 2px;">3</span>		

REAR <i>Estimated Lift: 40mm</i>	ALL MODELS		
	PART NUMBER	QTY	UNIT PRICE \$
<b>SPRING: MEDIUM LOAD</b>	<b>3106</b>	1	
NITROCHARGER SPORT	60144 <span style="border: 1px solid black; padding: 0 2px;">4</span>	2	
<b>SPRING: CONSTANT 300 KGS</b>	<b>3107</b>	1	
NITROCHARGER SPORT	*60145 / 60144 <span style="border: 1px solid black; padding: 0 2px;">4</span>	2	

### REMARKS:

- 1** No top mounting bushes supplied, use OME3135. OE bushes may be re-used if in good condition.
- 2** Trim Packer FK56 provides 10mm lift at the wheel.
- 3** Strut Top Hat Kit may be required if original equipment is worn. This kit includes rubber bushing.
- 4** Re-use rear OE top damper forged bracket, bushes, dirt shield, bumpstops and fasteners for the assembly of the rear shock.

## FORD EXPLORER 1996 TO 2001 REAR LEAF SPRING MODELS

FRONT	V6 PETROL ENGINE		
	PART NUMBER	QTY	UNIT PRICE \$
TORSION BARS	- <sup>1</sup>		
NITROCHARGER	N16	2	

REAR <i>Estimated Lift: 40mm</i>	V6 PETROL ENGINE		
	PART NUMBER	QTY	UNIT PRICE \$
<b>SPRING: MEDIUM LOAD</b>	<b>CS042R</b> <sup>2</sup>	2	
NITROCHARGER	N17		
EXTRA LEAF	D10XL	2	
CENTRE BOLT	UCB5		

### REMARKS:

**1** Raise or lower front end clearance and trim vehicle by adjusting front torsion bars. **Important:** A minimum of 60mm of droop **must** be maintained.

**2** OE spring bushes are required to fit CS042R springs. D10XL extra leaf should be fitted when a constant 200kg plus load is carried.

## FORD F250 & F350 2011 TO 2017

FRONT <i>Estimated Lift: 45mm (2 inch)</i>	DIESEL ENGINE		
	PART NUMBER	QTY	UNIT PRICE \$
<b>SPRING: 45MM</b>	<b>2768</b>	1	
NITROCHARGER SPORT	60123	2	
CASTER CORRECTION KIT	FK81 <sup>6</sup>	1	

### REMARKS:

**1** When fitting either 3075 or 3076 it is **mandatory** to fit Bump Spacer Kit FK73 to prevent the coil from being over stressed.

**2** OME front shock 60121 is not suitable as an OE replacement. When fitting our longer OME shock 60121 you must fit:

- FK71 Brakeline Kit to extend / drop the brakelines

- FK72 Swaybar Kit to lower the front swaybar

- FK70 Radius Arm Drop Bracket Kit, if not fitted you may over stretch the front brakelines

**3** When bull bar and / or winch are fitted use FK74 on both coils to restore nominal lift height.

**4** Where the OE rear leaf spring has an overload leaf fitted, this overload leaf is to be fitted to the OME leaf, EL077R is to have its centre bolt replaced with a longer bolt UCB21 and OE spacer blocks are to be reused.

FRONT <i>Estimated Lift: 75 - 100mm (3 inch to 4 inch)</i>	DIESEL ENGINE		
	PART NUMBER	QTY	UNIT PRICE \$
<b>SPRING: 75MM</b>	<b>3075</b> <sup>1</sup>	1	
NITROCHARGER SPORT	60121 <sup>2</sup>	2	
<b>SPRING: 100MM</b>	<b>3076</b> <sup>1</sup>	1	
NITROCHARGER SPORT	60121 <sup>2</sup>	2	
PANHARD BRACKET	FK69	1	
RADIUS ARM DROP BRACKET KIT	FK70		
BRAKELINE BRACKET KIT	FK71		
SWAYBAR BRACKET KIT	FK72		
BUMP SPACER KIT	FK73		
TRIM PACKET (10mm)	FK74 <sup>3</sup>		

**4** Where the OE rear leaf spring has an overload leaf fitted, this overload leaf is to be fitted to the OME leaf, EL077R is to have its centre bolt replaced with a longer bolt UCB21 and OE spacer blocks are to be reused.

REAR <i>Estimated Lift: 75mm (3 inch)</i>	ALL MODELS		
	PART NUMBER	QTY	UNIT PRICE \$
<b>SPRING: MEDIUM LOAD</b>	<b>EL077R</b> <sup>4</sup>	2	
<b>SPRING: CONSTANT 450 KGS</b>	<b>EL077R + EL40XL</b>	2 + 2	
NITROCHARGER SPORT	60122	2	
SPRING BUSH KIT	OMESB109	2	
U BOLTS - NO OVERLOAD LEAF	OMEU77 <sup>5</sup>	4	
U BOLTS - WITH OVERLOAD LEAF	OMEU78		
EXTRA LEAF	EL40XL	2	
CENTRE BOLT- OVERLOAD ONLY	UCB21 <sup>4</sup>		

**5** Use OMEU77 when fitting to a vehicle without an overload leaf.

Use OMEU78 when fitting to a vehicle with an overload leaf.

**6** Fitment of a FK81 Caster Correction Kit will provide approximately 3.5 to 4.0 degrees of extra caster. It is advisable to have a front end alignment carried out to determine if a FK81 kit is required.



## FORD F250 & F350 2008 TO 2010

FRONT <i>Estimated Lift: 45mm (2 inch)</i>	DIESEL ENGINE		
	PART NUMBER	QTY	UNIT PRICE \$
<b>SPRING: 45MM</b>	<b>2768</b>	1	
NITROCHARGER SPORT	<b>60123</b>	2	
CASTER CORRECTION KIT	FK81 <span style="border: 1px solid black; padding: 0 2px;">6</span>	1	

FRONT <i>Estimated Lift: 75 - 100mm (3 inch to 4 inch)</i>	DIESEL ENGINE		
	PART NUMBER	QTY	UNIT PRICE \$
<b>SPRING: 75MM</b>	<b>3075</b> <span style="border: 1px solid black; padding: 0 2px;">1</span>	1	
NITROCHARGER SPORT	<b>60121</b> <span style="border: 1px solid black; padding: 0 2px;">2</span>	2	
<b>SPRING: 100MM</b>	<b>3076</b> <span style="border: 1px solid black; padding: 0 2px;">1</span>	1	
NITROCHARGER SPORT	<b>60121</b> <span style="border: 1px solid black; padding: 0 2px;">2</span>	2	
PANHARD BRACKET	FK69	1	
RADIUS ARM DROP BRACKET KIT	FK80		
BRAKELINE BRACKET KIT	FK71		
SWAYBAR BRACKET KIT	FK72		
BUMP SPACER KIT	FK73		
TRIM PACKET (10mm)	FK74 <span style="border: 1px solid black; padding: 0 2px;">3</span>		

REAR <i>Estimated Lift: 75mm (3 inch)</i>	ALL MODELS		
	PART NUMBER	QTY	UNIT PRICE \$
<b>SPRING: MEDIUM LOAD</b>	<b>EL077R</b> <span style="border: 1px solid black; padding: 0 2px;">4</span>	2	
<b>SPRING: CONSTANT 450KGS</b>	<b>EL077R + EL40XL</b>	2 + 2	
NITROCHARGER SPORT	<b>60122</b>	2	
SPRING BUSH KIT	OMESB109	2	
U BOLTS - NO OVERLOAD LEAF	OMEU79	4	
U BOLTS - WITH OVERLOAD LEAF	OMEU80 <span style="border: 1px solid black; padding: 0 2px;">5</span>		
EXTRA LEAF	EL40XL	2	
CENTRE BOLT - OVERLOAD ONLY	UCB21 <span style="border: 1px solid black; padding: 0 2px;">4</span>		

### REMARKS:

- 1** When fitting either 3075 or 3076 it is **mandatory** to fit Bump Spacer Kit FK73 to prevent the coil from being over stressed.
- 2** OME front shock 60121 is not suitable as an OE replacement. When fitting our longer OME shock 60121 you must fit:
  - FK71 Brakeline Kit to extend / drop the brakelines
  - FK72 Swaybar Kit to lower the front swaybar
  - FK80 Radius Arm Drop Bracket Kit, if not fitted you may over stretch the front brakelines
- 3** When bull bar and / or winch are fitted use FK74 on both coils to restore nominal lift height.
- 4** Where the OE rear leaf spring has an overload leaf fitted, this overload leaf is to be fitted to the OME leaf, EL077R is to have its centre bolt replaced with a longer bolt UCB21 and OE spacer blocks are to be reused.
- 5** Use OMEU79 when fitting to a vehicle without an overload leaf.  
Use OMEU80 when fitting to a vehicle with an overload leaf.
- 6** Fitment of a FK81 Caster Correction Kit will provide approximately 3.5 to 4.0 degrees of extra caster. It is advisable to have a front end alignment carried out to determine if a FK81 kit is required.

## FORD F250 & F350 2005 TO 2008 ALL MODELS

<b>FRONT</b> <i>Estimated Lift: 45mm</i>	<b>V8 DIESEL: COIL SPRING</b>		
	<b>PART NUMBER</b>	<b>QTY</b>	<b>UNIT PRICE \$</b>
<b>SPRING: TO 100 KGS</b>	<b>2768</b>	1	
NITROCHARGER	N195	2	
CASTER CORRECTION KIT	FK36	4	1

<b>REAR</b> <i>Estimated Lift: 50mm</i>	<b>ALL MODELS LEAF SPRING</b>		
	<b>PART NUMBER</b>	<b>QTY</b>	<b>UNIT PRICE \$</b>
<b>SPRING: MEDIUM LOAD</b>	<b>CS048R</b> 1	2	
<b>THIRD STAGE</b>	<b>TSXL01</b> 1		
<b>SPRING: CONSTANT 600+KGS</b>	<b>CS048R</b> 1	2	
<b>XL LEAF</b>	<b>D27XL</b> 2		
CENTRE BOLT	UCB10 1		
NITROCHARGER	N179		
U BOLTS - NO OVERLOAD LEAF	OMEU68	4	
U BOLTS - WITH OVERLOAD LEAF	OMEU67 1		
FITTING KIT	FK31 3	1	
	FK35		
SPACER KIT	OMESK1 3		

### REMARKS:

- 1** Springs are supplied with bushes fitted. Where the OE spring has an overload leaf fitted, it must be replaced with a TSXL01 and the CS048R original centre bolt replaced by a UCB10, the original spacing block must also be re-fitted using U Bolts OMEU67.
- 2** To maintain 50mm lift for loads over constant 600kgs add one (1) D27XL Extra Leaf.
- 3** Fitment of Driveline Spacer Kit FK31 for Crew Cab or FK35 for Xtra Cab is recommended to reduce possible driveline vibration. If required, additional spacing down of the centre bearing can be achieved by using an OMESK1 Spacer Kit.
- 4** Fitment of a FK36 Caster Correction Kit will provide approximately 3.5 to 4.0 degrees of extra caster. It is advisable to have a Front End Alignment carried out to determine if an FK36 kit is required.

## FORD F250 & F350 1999 TO 2004 ALL MODELS<sup>7</sup>

FRONT <i>Estimated Lift: 50mm</i>	F250 PETROL & DIESEL			F350 PETROL & DIESEL		
	PART NUMBER	QTY	UNIT PRICE \$	PART NUMBER	QTY	UNIT PRICE \$
<b>SPRING: TO 150 KGS</b>	<b>CS018F</b> <span style="border: 1px solid black; padding: 0 2px;">1</span> <span style="border: 1px solid black; padding: 0 2px;">6</span>	2		<b>CS018F</b> <span style="border: 1px solid black; padding: 0 2px;">1</span> <span style="border: 1px solid black; padding: 0 2px;">6</span>	2	
NITROCHARGER	N178			N178		
ADJUSTABLE PANHARD ROD	APRF250 <span style="border: 1px solid black; padding: 0 2px;">1</span>	1		APRF250 <span style="border: 1px solid black; padding: 0 2px;">1</span>	1	
U BOLTS - USA MODELS	OMEU69	2		OMEU69	4	
	OMEU69A					
U BOLTS - BRAZIL MODELS	OMEU70			-		
	OMEU70A			-		

REAR <i>Estimated Lift: 50mm</i>	F250 ALL MODELS			F350 ALL MODELS		
	PART NUMBER	QTY	UNIT PRICE \$	PART NUMBER	QTY	UNIT PRICE \$
<b>SPRING: TO 600 KGS</b>	<b>CS048R</b>	2		<b>CS048R</b>	2	
<b>THIRD STAGE</b>	-			<b>TSXL01</b> <span style="border: 1px solid black; padding: 0 2px;">5</span>		
NITROCHARGER - SINGLE FITMENT	N179	2		N179		
NITROCHARGER - DUAL FITMENT	N179 + N180 <span style="border: 1px solid black; padding: 0 2px;">2</span>	2 + 2		-		
<b>SPRING: CONSTANT 600KGS</b>	<b>CS048R</b> <span style="border: 1px solid black; padding: 0 2px;">3</span>	2		<b>CS048R</b> <span style="border: 1px solid black; padding: 0 2px;">5</span> <span style="border: 1px solid black; padding: 0 2px;">3</span>	2	
<b>XL LEAF</b>	<b>D27XL</b>			<b>D27XL</b> <span style="border: 1px solid black; padding: 0 2px;">3</span>		
<b>THIRD STAGE</b>	-			<b>TSXL01</b> <span style="border: 1px solid black; padding: 0 2px;">5</span>		
NITROCHARGER - SINGLE FITMENT	N179	2		N179		
NITROCHARGER - DUAL FITMENT	N179 + N180 <span style="border: 1px solid black; padding: 0 2px;">2</span>	2 + 2		-		
U BOLTS	OMEU68	4		OMEU67	4	
CENTRE BOLT	UCB10	2		UCB10	2	
FITTING KIT	FK31 <span style="border: 1px solid black; padding: 0 2px;">4</span>	1		FK31 <span style="border: 1px solid black; padding: 0 2px;">4</span>	1	
	FK35			FK35 <span style="border: 1px solid black; padding: 0 2px;">4</span>		
STONE GUARD KIT	OME660 <span style="border: 1px solid black; padding: 0 2px;">2</span>			OME660 <span style="border: 1px solid black; padding: 0 2px;">2</span>		

**REMARKS:**

- 1 APRF250 Adjustable Panhard Rod **must** be fitted to allow original axle location to be restored, bushes are supplied in rod.
- 2 For F250 Models with dual shock fitment N179 **must** be fitted rear of the axle, as it is longer than the N180. For both F250 and F350 Models OME660 Stone Shields are also a recommended fitment to the rear shocks.
- 3 To help maintain 50mm lift, add one D27XL Extra Leaf for every 400kgs carried over 600kgs.
- 4 Fitment of FK31 to Crew Cab or FK35 to Xtra Cab Models is recommended to reduce possible driveline vibration.
- 5 As the CS048R has a different spring camber, compared to the original spring, the overload leaf **must** be replaced with a TSXL01. The Original spacing block **must** be refitted. Springs are supplied with bushing.
- 6 Springs are supplied with bushing.
- 7 Incompatible with F350 Dual Axle Model.

## JACKAROO/TROOPER & MONTEREY 3/2001 TO 2004 SWB & LWB

FRONT			
	PART NUMBER	QTY	UNIT PRICE \$
TORSION BARS	-	1	
NITROCHARGER SPORT	60031	2	

REAR			
<i>Estimated Lift: 20mm</i>			
	PART NUMBER	QTY	UNIT PRICE \$
<b>SPRING: MEDIUM LOAD</b>	2919	1	
NITROCHARGER SPORT	60074	2	
<b>SPRING: CONSTANT 100 KGS</b>	2929	1	
NITROCHARGER SPORT	60074	2	

**REMARKS:**

- 1** Raise or lower front end clearance and trim vehicle by adjusting front torsion bars. **Important:** A minimum of 60mm of droop **must** be maintained.
- 2** Coil **must** be installed with progressive rate to the top.

## JACKAROO/TROOPER & MONTEREY 1992 TO 2/2001 SWB & LWB

FRONT			
	PART NUMBER	QTY	UNIT PRICE \$
TORSION BARS	-	1	
NITROCHARGER SPORT	60031	2	

REAR			
<i>Estimated Lift: 25mm</i>			
	PART NUMBER	QTY	UNIT PRICE \$
<b>SPRING: MEDIUM LOAD</b>	2912	1	
NITROCHARGER SPORT	60074	2	
<b>SPRING: CONSTANT 100 KGS</b>	2919	1	
NITROCHARGER SPORT	60074	2	

**REMARKS:**

- 1** Raise or lower front end clearance and trim vehicle by adjusting front torsion bars. **Important:** A minimum of 60mm of droop **must** be maintained.
- 2** Coil **must** be installed with progressive rate to the top.

## JACKAROO/ISUZU TROOPER 1982 TO 3/1992 ALL MODELS

<b>FRONT</b>			
	PART NUMBER	QTY	UNIT PRICE \$
TORSION BARS: OVER 50 KGS	303004 <span style="border: 1px solid black; padding: 0 2px;">1</span>	1	
NITROCHARGER SPORT	60031	2	
<b>REAR</b>	<b>ALL MODELS</b>		
<i>Estimated Lift: 20mm</i>	PART NUMBER	QTY	UNIT PRICE \$
<b>SPRING: MEDIUM LOAD</b>	<b>CS028R</b>		
NITROCHARGER SPORT	60009 <span style="border: 1px solid black; padding: 0 2px;">2</span>	2	
NITROCHARGER	60032		
NITROCHARGER	*N42 / N89 <span style="border: 1px solid black; padding: 0 2px;">2</span> <span style="border: 1px solid black; padding: 0 2px;">5</span>		
<b>SPRING: CONSTANT 200 KGS</b>	<b>CS029R</b>		
NITROCHARGER SPORT	*60063 / 60009 <span style="border: 1px solid black; padding: 0 2px;">2</span>	2	
NITROCHARGER	*60064 / 60032		
NITROCHARGER	N42 <span style="border: 1px solid black; padding: 0 2px;">2</span> <span style="border: 1px solid black; padding: 0 2px;">5</span>		
SHOCK BUSH KIT CONVERTER	OMEB11		
SPRING BUSH KITS	OMESB80	2	
U BOLTS	OMEU59A <span style="border: 1px solid black; padding: 0 2px;">3</span>	4	
ANTI INVERSION KIT	FK14 <span style="border: 1px solid black; padding: 0 2px;">4</span>	1	
GREASABLE SHACKLE KIT	OMEGS13		
EXTRA LEAF	D19XL	2	
CENTRE BOLT	UCB16		

**REMARKS:**

- 1 Raise or lower front end clearance and trim vehicle by adjusting front torsion bars. Torsion Bar 303004 suit Models from 8/88 To 3/92 only.  
**Important:** A minimum of 60mm of droop **must** be maintained.
- 2 60009 / 60063: Suits 11/86 To 3/92 Models and requires OMEB11 Bush Kit to convert lower bush from 19mm to 16mm ID.  
60064 / 60032 / N42<sup>5</sup> / N89<sup>5</sup>: Suits Models '82 To 10/86 (no bush kit required).
- 3 Where the OE spring has 4 leaves OMEU59A U Bolts are required.
- 4 FK14 Anti Inversion Kit **must** be fitted if greasable shackles are not fitted.
- 5 When remaining stock of N42 and N89 is exhausted no further product will be available.

## GM FRONTERA 5 DOOR 1999 TO 6/2003 (USA - ISUZU RODEO WAGON)

<b>FRONT</b>			
	PART NUMBER	QTY	UNIT PRICE \$
TORSION BARS	-		
NITROCHARGER SPORT	60031	2	
<b>REAR</b>	<b>ALL MODELS</b>		
<i>Estimated Lift: 20mm</i>	PART NUMBER	QTY	UNIT PRICE \$
<b>SPRING: MEDIUM LOAD</b>	<b>2913</b>	1	
NITROCHARGER	N102	2	

## GM FRONTERA 1995 TO 1998 (USA - ISUZU RODEO WAGON) 2 & 4 DOOR UT MODELS

FRONT	ALL MODELS		
	PART NUMBER	QTY	UNIT PRICE \$
TORSION BARS	-		
NITROCHARGER SPORT	60031	2	

REAR	ALL MODELS		
	PART NUMBER	QTY	UNIT PRICE \$
<i>Estimated Lift: 40mm</i>			
<b>SPRING: MEDIUM LOAD</b>	2912	1	
NITROCHARGER SPORT	60074	2	

## TRAILBLAZER 2017 ON COLORADO 7 2013 TO 2016 ALL MODELS MU-X 2013 ON ALL MODELS

FRONT	DIESEL ENGINE		
	PART NUMBER	QTY	UNIT PRICE \$
<i>Estimated Lift: 30mm</i>			
<b>SPRING: No Bar</b>	3057	1	
STRUT - SPORT	90022 <sup>1</sup>	2	
<b>SPRING: Bar</b>	2883	1	
STRUT - SPORT	*90023 / 90022 <sup>1</sup>	2	
<b>SPRING: Bar / Winch</b>	2869	1	
STRUT - SPORT	90023 <sup>1</sup>	2	
TRIM PACKER	OME95PF5		
UPPER STRUT BUSHES	OME3134 <sup>1</sup>		
COIL ISOLATER	OMESB3014 <sup>2</sup>	2	
STRUT TOP HAT KIT	OMETH004 <sup>3</sup>		

REAR	MU-X			COLORADO 7 & TRAILBLAZER		
	PART NUMBER	QTY	UNIT PRICE \$	PART NUMBER	QTY	UNIT PRICE \$
<i>Estimated Lift: 40mm</i>						
<b>SPRING: MEDIUM LOAD</b>	3088	1		3091	1	
NITROCHARGER SPORT	60130	2		60130 <sup>4</sup>	2	
<b>SPRING: CONSTANT 200 KGS</b>	3089	1		3092	1	
NITROCHARGER SPORT	*60131 / 60130	2		*60131 / 60130 <sup>4</sup>	2	
<b>SPRING: CONSTANT 400 KGS</b>	3090	1		3093	1	
NITROCHARGER SPORT	60131	2		60131 <sup>4</sup>	2	

**REMARKS:**

- 1** No top mounting bushes supplied, use OME3134. OE bushes may be re-used if in good condition. OME struts can only be installed with OME coils.
- 2** Colorado 04/13 To 2016, due to change in top hat OMESB3014 will be required for fitment of OME coils. Please note: Only needed for up to 2015 Models. Not required for Trailblazer 2017 On Models or Isuzu MU-X.
- 3** Strut Top Hat Kit may be required if original equipment is worn.
- 4** 60130 and 60131 **cannot** be used as a shock only OE replacement on Colorado 7/Trailblazer Models. Can be used as an OE replacement for Isuzu MU-X.

## COLORADO / CANYON 2015 ON (USA MODEL)

FRONT <i>Estimated Lift: 30mm</i>	GAS ENGINE			DIESEL ENGINE		
	PART NUMBER	QTY	UNIT PRICE \$	PART NUMBER	QTY	UNIT PRICE \$
<b>SPRING: Stock/ Light Load (No ARB Bumper)</b>	3057	1		2883	1	
NITROCHARGER SPORT STRUT	90037 <sup>1</sup>	2		90037 <sup>1</sup>	2	
<b>SPRING: Medium Load (With ARB Bumper)</b>	3058	1		3114	1	
NITROCHARGER SPORT STRUT	90037 <sup>1</sup>	2		90037 <sup>1</sup>	2	
<b>SPRING: Heavy Load (With ARB Bumper and Winch)</b>	2869	1		2884	1	
NITROCHARGER SPORT STRUT	90037 <sup>1</sup>	2		90037 <sup>1</sup>	2	
TRIM PACKER	OME95PF5 <sup>2</sup>	1		OME95PF5 <sup>2</sup>	1	

REAR <i>Estimated Lift: 30mm</i>	ALL MODELS		
	PART NUMBER	QTY	UNIT PRICE \$
<b>SPRING: MEDIUM LOAD</b>	<b>EL100R</b>	2	
NITROCHARGER SPORT SHOCK	60148		
U BOLTS (Required)	OMEU81	4	
REAR SPRING BUSH KIT (Required)	OMESB116	2	
LEAF SPRING BOLT FITTING KIT (Required)	FK91 <sup>3</sup>	1	
<b>SPRING: HEAVY LOAD CONSTANT 660LB</b>	<b>EL101R</b>	2	
NITROCHARGER SPORT SHOCK	60149		
U BOLTS (Required)	OMEU81	4	
REAR SPRING BUSH KIT (Required)	OMESB116	2	
LEAF SPRING BOLT FITTING KIT (Required)	FK91 <sup>3</sup>	1	
EXTRA LEAF	EL47XL	2	
TRIM PACKER	ELSK05 <sup>4</sup>	1	
CENTRE BOLT	UCB17	1	

### REMARKS:

- 1** Reuse OE top hat and mounting bushes.
- 2** 5mm trim packer (OME95PF5 is one (1) packer, maximum two (2) per side).
- 3** For leaf spring fitment it is easier to cut OE bolt than to remove the fuel tank.
- 4** 10mm trim packer (ELSK05 is one (1) packer, maximum one (1) per side).

## DMAX 2021 ON ALL MODELS 6

FRONT <i>Estimated Lift: 40mm</i>	DIESEL ENGINE		
	PART NUMBER	QTY	UNIT PRICE \$
<b>SPRING: No Bar</b>	<b>2883</b>	1	
STRUT SPORT	90045 <span style="border: 1px solid black; padding: 0 2px;">1</span>	2	
<b>SPRING: Bar Only</b>	<b>3114</b>	1	
STRUT SPORT	*90046 / 90045 <span style="border: 1px solid black; padding: 0 2px;">1</span>	2	
<b>SPRING: Bar / Winch</b>	<b>2884</b>	1	
STRUT SPORT	90046 <span style="border: 1px solid black; padding: 0 2px;">1</span>	2	
<b>SPRING: Bar, Winch &amp; Accessories</b>	<b>2885</b>	1	
STRUT SPORT	90046 <span style="border: 1px solid black; padding: 0 2px;">1</span>	2	
<b>BP-51 SELECTION</b>			
BP-51 COIL OVER FRONT RH	BP5190014R	1	
BP-51 COIL OVER FRONT LH	BP5190014L		
BP FIT KIT FRONT	VM80010044		
TRIM PACKER	OME95PF5		
UPPER STRUT BUSHES	OME3134 <span style="border: 1px solid black; padding: 0 2px;">1</span>		
STRUT TOP HAT KIT	OMETH004 <span style="border: 1px solid black; padding: 0 2px;">5</span>		
REAR <i>Estimated Lift: 40mm</i> <span style="border: 1px solid black; padding: 0 2px;">6</span>	ALL MODELS		
	PART NUMBER	QTY	UNIT PRICE \$
<b>SPRING: MEDIUM LOAD</b>	<b>EL123R</b>	2	
NITROCHARGER SPORT	60167		
<b>SPRING: CONSTANT 300 KGS</b>	<b>EL124R</b>	2	
NITROCHARGER SPORT	*60168 / 60167		
<b>SPRING: CONSTANT 600 KGS</b>	<b>EL125R</b>	2	
NITROCHARGER SPORT	60168		
<b>BP-51 SELECTION</b>			
BP-51 SHOCK REAR	BP5160050	2	
BP FIT KIT REAR	VM80010045	1	
SPRING BUSH KIT	OMESB119 <span style="border: 1px solid black; padding: 0 2px;">2</span>	2	
	OMESB120		
U BOLTS	OMEU53A	4	
	OMEU53B <span style="border: 1px solid black; padding: 0 2px;">3</span>		
GREASABLE SHACKLE KIT	OMEGS26	1	
GREASABLE PIN KIT	OMEGP9		
EXTRA LEAF	EL39XL <span style="border: 1px solid black; padding: 0 2px;">3</span>	2	
TRIM PACKER	ELSK05		
EXTRA LEAF SPACER KIT	ELSK12	2	
HANDBRAKE RELOCATION BRACKET	FK66 <span style="border: 1px solid black; padding: 0 2px;">4</span>	1	
CENTRE BOLT	REFER TO LEAF SPRING SERVICE PARTS page 174		

### REMARKS:

- 1** No top mounting bushes supplied, use OME3134. OE bushes may be re-used if in good condition. OME struts can only be installed with OME coils.
- 2** OMESB119 Bush Kit suits OME Greasable Shackle, OMEGS26. OMESB120 Bush Kit suits OE Shackle.
- 3** If fitting extra leaf to EL125R, use U Bolt OMEU53B.
- 4** Handbrake Relocation Bracket FK66 is required fitment.
- 5** Strut Top Hat Kit may be required if original equipment is worn. Note: Remove plastic isolator from OMEMH004, not required for fitment.
- 6** LS-M Ute & SX XT Cab Chassis models are fitted with heavy duty leaf springs. Lift results may vary.



## DMAX 2012 TO 2020 ALL MODELS COLORADO 2012 ON ALL MODELS

<b>FRONT</b> <i>Estimated Lift: 30mm</i>	<b>DIESEL ENGINE</b>		
	PART NUMBER	QTY	UNIT PRICE \$
<b>SPRING: No Bar</b>	<b>3057</b>	1	
STRUT SPORT	90022 <span style="border: 1px solid black; padding: 0 2px;">1</span>	2	
<b>SPRING: Bar</b>	<b>2883</b>	1	
STRUT SPORT	*90023 / 90022 <span style="border: 1px solid black; padding: 0 2px;">1</span>	2	
<b>SPRING: Bar / Winch</b>	<b>2869</b>	1	
STRUT SPORT	90023 <span style="border: 1px solid black; padding: 0 2px;">1</span>	2	
<b>SPRING: Bar, Winch &amp; Accessories</b>	<b>3114</b>	1	
STRUT SPORT	90023 <span style="border: 1px solid black; padding: 0 2px;">1</span>	2	
<b>BP-51 SELECTION</b>			
BP-51 COIL OVER FRONT RH	BP5190009R	1	
BP-51 COIL OVER FRONT LH	BP5190009L	1	
BP FIT KIT FRONT	VM80010030	1	
TRIM PACKER	OME95PF5		
UPPER STRUT BUSHES	OME3134 <span style="border: 1px solid black; padding: 0 2px;">1</span>	2	
COIL ISOLATOR	OMESB3014 <span style="border: 1px solid black; padding: 0 2px;">6</span>	2	
STRUT TOP HAT KIT	OMETH004 <span style="border: 1px solid black; padding: 0 2px;">5</span>		
<b>REAR</b> <i>Estimated Lift: 30mm</i>			
	<b>ALL MODELS</b>		
	PART NUMBER	QTY	UNIT PRICE \$
<b>SPRING: MEDIUM LOAD</b>	<b>EL108R</b>	2	
NITROCHARGER SPORT	60116	2	
<b>SPRING: CONSTANT 300 KGS</b>	<b>EL109R</b>	2	
NITROCHARGER SPORT	*60117 / 60116	2	
<b>SPRING: CONSTANT 600 KGS</b>	<b>EL110R</b> <span style="border: 1px solid black; padding: 0 2px;">3</span>	2	
NITROCHARGER SPORT	60117	2	
<b>BP-51 SELECTION: DMAX ONLY</b>			
BP-51 SHOCK REAR	BP5160016	2	
BP FIT KIT REAR	VM80010031 <span style="border: 1px solid black; padding: 0 2px;">7</span>	1	
<b>BP-51 SELECTION: COLORADO ONLY</b>			
BP-51 SHOCK REAR	BP5160016	1	
	BP5160048	1	
BP FIT KIT REAR	VM80010031 <span style="border: 1px solid black; padding: 0 2px;">7</span>	1	
GREASABLE SHACKLE KIT	OMEGS14	1	
GREASABLE PIN KIT	OMEGP9	1	
SPRING BUSH KIT	OMESB98 <span style="border: 1px solid black; padding: 0 2px;">2</span>	2	
	OMESB107	2	
U BOLTS	OMEU53A	4	
	OMEU53B <span style="border: 1px solid black; padding: 0 2px;">7</span>	4	
	OMEU53B <span style="border: 1px solid black; padding: 0 2px;">3</span>	4	
EXTRA LEAF	EL39XL	2	
TRIM PACKER	ELSK05	2	
EXTRA LEAF SPACER KIT	ELSK12	2	
HANDBRAKE CABLE FIT KIT	FK66 <span style="border: 1px solid black; padding: 0 2px;">4</span>	1	
	FK87	1	
CENTRE BOLT	REFER TO LEAF SPRING SERVICE PARTS page 174		

**REMARKS:**

- 1** No top mounting bushes supplied, use OME3134. OE bushes may be re-used if in good condition. OME struts can only be installed with OME coils.
- 2** OMESB98 Bush Kit suits OME Greasable Shackle, OMEGS14. OMESB107 Bush Kit suits OE Shackle.
- 3** If fitting extra leaf to EL110R, use U Bolt OMEU53B.
- 4** Handbrake Cable Fit Kit FK66 required for Isuzu DMAX cab chassis and LSM Models. FK87 required for Colorado 2016 On Models.
- 5** Strut Top Hat Kit may be required if original equipment is worn.
- 6** Colorado 04/13 onwards, due to change in top hat OMESB3014 will be required for fitment of OME coils. Please note: Only needed for up to 2015 Models. Not required for Colorado 2016 On Models or Isuzu DMAX.
- 7** OMEU53B is required for fitting BP-51 and VM800100031.

## DMAX 2008 TO 2011 ALL MODELS

## COLORADO RC 2008 TO 2011 ALL MODELS

## RODEO RA 2003 TO 2011 ALL MODELS (NOT USA MANUFACTURED MODEL)

FRONT	PETROL ENGINE			DIESEL ENGINE		
	PART NUMBER	QTY	UNIT PRICE \$	PART NUMBER	QTY	UNIT PRICE \$
TORSION BARS - NO LOAD	303012 <span style="border: 1px solid black; padding: 0 2px;">1</span>	1		303012 <span style="border: 1px solid black; padding: 0 2px;">1</span>	1	
NITROCHARGER SPORT	60031	2		60031	2	

REAR <i>Estimated Lift: 30 - 50mm</i>	ALL MODELS		
	PART NUMBER	QTY	UNIT PRICE \$
<b>SPRING: MEDIUM LOAD</b>	<b>CS062R</b> <span style="border: 1px solid black; padding: 0 2px;">2</span>	2	
NITROCHARGER SPORT	60032		
NITROCHARGER	*N42 / N89 <span style="border: 1px solid black; padding: 0 2px;">4</span>		
<b>SPRING: CONSTANT 300 KGS</b>	<b>CS063R</b> <span style="border: 1px solid black; padding: 0 2px;">2</span>	2	
NITROCHARGER SPORT	*60064 / 60032		
NITROCHARGER	N42 <span style="border: 1px solid black; padding: 0 2px;">4</span>		
SPRING BUSH KIT	OMESB80	2	
U BOLTS	OMEU66	4	
ANTI INVERSION KIT	FK26 <span style="border: 1px solid black; padding: 0 2px;">3</span>	1	
GREASABLE SHACKLE KIT	OMEGS13		
GREASABLE FIXED END PIN KIT	OMEGP11		
CENTRE BOLT	UCB15	2	
EXTRA LEAF	D26XL		

### REMARKS:

- 1 Raise or lower front end clearance and trim vehicle by adjusting front torsion bars. **Important:** A minimum of 60mm of droop must be maintained. It has been found, due to vehicle manufacturing tolerances, that in some cases front shock absorbers may contact the steering arm when on full lock. Fitter should check for this and where required a small indentation should be made to the body of the shock absorber. 303012 torsion bars have a lighter rate than OE and improve ride comfort for vehicles with no front accessory weight. Due to their heavy rate, the OE torsion bars are suitable for vehicles with front accessory weight.
- 2 Include tray weight in constant load calculation. CS062R and CS063R can be installed to high height 4x2 Models. OME leaf does not fit low height 4x2 Models.
- 3 FK26 only needed if not fitting Greasable Shackle Kit.
- 4 When remaining stock of N42 and N89 is exhausted no further product will be available.

## RODEO/DMAX TO 2003 ALL MODELS (NOT USA MANUFACTURED MODEL)

FRONT	PETROL & DIESEL ENGINES		
	PART NUMBER	QTY	UNIT PRICE \$
TORSION BARS: OVER 50 KGS	303004 <span style="border: 1px solid black; padding: 0 2px;">1</span>	1	
NITROCHARGER SPORT	60031	2	

REAR <i>Estimated Lift: 20mm</i>	ALL MODELS		
	PART NUMBER	QTY	UNIT PRICE \$
<b>SPRING: MEDIUM LOAD</b>	<b>CS028R</b> <span style="border: 1px solid black; padding: 0 2px;">2</span> <span style="border: 1px solid black; padding: 0 2px;">3</span>	2	
NITROCHARGER SPORT	60032		
NITROCHARGER	*N42 / N89 <span style="border: 1px solid black; padding: 0 2px;">5</span>		
<b>SPRING: CONSTANT 400 KGS</b>	<b>CS029R</b> <span style="border: 1px solid black; padding: 0 2px;">2</span> <span style="border: 1px solid black; padding: 0 2px;">3</span>	2	
NITROCHARGER SPORT	60064		
NITROCHARGER	N42 <span style="border: 1px solid black; padding: 0 2px;">5</span>		
SPRING BUSH KIT	OMESB80	2	
ANTI INVERSION KIT	FK14 <span style="border: 1px solid black; padding: 0 2px;">3</span>	1	
GREASABLE SHACKLE KIT	OMEGS13		
GREASABLE FIXED END PIN KIT	OMEGP11		
U BOLTS	OMEU59A <span style="border: 1px solid black; padding: 0 2px;">4</span>	4	
EXTRA LEAF	D19XL	2	
CENTRE BOLT	UCB16		

**REMARKS:**

- 1 Raise or lower front end clearance and trim vehicle by adjusting front torsion bars. **Important:** A minimum of 60mm of droop **must** be maintained.
- 2 Include tray weight in constant load calculation.
- 3 FK14 **must** be fitted if OMEGS13 greasable shackles are not fitted.
- 4 Vehicles with 4 Leaf OE spring stack require U bolts OMEU59A.
- 5 When remaining stock of N42 and N89 is exhausted no further product will be available.

## DROVER ALL MODELS (NOT USA MANUFACTURED MODEL)

FRONT <i>Estimated Lift: 40mm</i>			
	PART NUMBER	QTY	UNIT PRICE \$
<b>SPRING: TO 35 KGS</b>	<b>CS012FA / B</b>	1 + 1	
NITROCHARGER	OME015 <span style="border: 1px solid black; padding: 0 2px;">2</span>	2	
<b>SPRING: 35 TO 75 KGS</b>	<b>CS013FA / B</b>	1 + 1	
NITROCHARGER	OME015 <span style="border: 1px solid black; padding: 0 2px;">2</span>	2	
SPRING BUSH KIT	OMESB19	2	
U BOLTS	OMEU61	4	
	OMEU62 <span style="border: 1px solid black; padding: 0 2px;">1</span>	1	
FITTING KIT	FK06		
TRIM PACKER	TP05		
STEERING DAMPER	OMESD30	1	
EXTRA LEAF	D20XL	2	
CENTRE BOLT	UCB7		

REAR <i>Estimated Lift: 40mm</i>	ALL MODELS		
	PART NUMBER	QTY	UNIT PRICE \$
<b>SPRING: MEDIUM LOAD</b>	<b>CS038R</b>	2	
NITROCHARGER	OME013		
<b>SPRING: CONSTANT 100 KGS</b>	<b>CS039R</b>	2	
NITROCHARGER	OME013		
SPRING BUSH KIT	OMESB19	2	
U BOLTS	OMEU61	4	
TRIM PACKER	TP05		
EXTRA LEAF	D21XL	2	
CENTRE BOLT	UCB7		

**REMARKS:**

- 1 One only OMEU62 may be required on the right hand side inner, on some Models.
- 2 When remaining stock of OME015 is exhausted no further product will be available.

# HUMMER

## H3

FRONT <i>Estimated Lift: 20mm</i>	ALL MODELS		
	PART NUMBER	QTY	UNIT PRICE \$
TORSION BARS	303014 <sup>1</sup>	1	
NITROCHARGER SPORT	90001	2	

REAR <i>Estimated Lift: 20mm</i>	ALL MODELS		
	PART NUMBER	QTY	UNIT PRICE \$
<b>SPRING: MEDIUM LOAD</b>	<b>CS059R</b> <sup>2</sup>	2	
NITROCHARGER SPORT	60045		
EXTRA LEAF	D36XL	2	

**REMARKS:**

- 1** Raise or lower front end clearance and trim vehicle by adjusting front torsion bars. It is **important** that a minimum of 60mm droop is maintained to prevent topping out of the front shock absorbers.
- 2** Springs supplied with bushings.

## TERRACAN 2001 ON

FRONT <i>Estimated Lift: 10mm</i>	PETROL & DIESEL ENGINE		
	PART NUMBER	QTY	UNIT PRICE \$
TORSION BARS	-		
NITROCHARGER SPORT	60040	2	

REAR <i>Estimated Lift: 20mm</i>	ALL MODELS		
	PART NUMBER	QTY	UNIT PRICE \$
<b>SPRING: MEDIUM LOAD</b>	<b>2603</b>	1	
NITROCHARGER SPORT	60060	2	
<b>SPRING: CONSTANT 200 KGS</b>	<b>2604</b>	1	
NITROCHARGER SPORT	60060	2	

# KIA

## SORENTO BL TO 2009

FRONT <i>Estimated Lift: 20mm</i>	ALL MODELS		
	PART NUMBER	QTY	UNIT PRICE \$
<b>SPRING:</b>	<b>2902</b>	1	
<b>SPRING: 20 TO 60 KGS</b>	<b>2601</b>	1	
STRUT	N148S   N147S	1 + 1	
	LHS   RHS		

REAR <i>Estimated Lift: 30mm</i>	LATE 2006 TO 2009 MODELS			MODELS 2003 TO LATE 2006		
	PART NUMBER	QTY	UNIT PRICE \$	PART NUMBER	QTY	UNIT PRICE \$
<b>SPRING: LIGHT LOAD</b>	-			<b>2602</b>	1	
NITROCHARGER	-			N149	2	
<b>SPRING: MEDIUM LOAD</b>	<b>2622</b>	1		<b>2903</b>	1	
NITROCHARGER	N205	2		N149	2	

### REMARKS:

- 1** OME661 Stone Guards are recommended fitment to vehicles driven on dirt roads to prevent stone damage to the shock absorbers.
- 2** N147S fits RHS, N148S fits LHS. No top mounting bushes supplied, re-use OE bushes.
- 3** When remaining stock is exhausted no further product will be available.

## NIVA

<b>FRONT</b>				
<i>Estimated Lift: 30mm</i>		PART NUMBER	QTY	UNIT PRICE \$
<b>SPRING:</b>	<b>2791</b>	1		
NITROCHARGER	NOT AVAILABLE			
TRIM PACKER	OMELNF10			

<b>REAR</b>		<b>ALL MODELS</b>		
<i>Estimated Lift: 30mm</i>		PART NUMBER	QTY	UNIT PRICE \$
<b>SPRING: MEDIUM LOAD</b>	<b>2792</b>	1		
NITROCHARGER	NOT AVAILABLE			

**REMARKS:**

**1** 2010 On Models front lift less than 30mm.

# LAND ROVER

## DISCOVERY 3 2005 ON ALL COIL MODELS

FRONT <i>Estimated Lift: 50mm</i>	PETROL & DIESEL ENGINES		
	PART NUMBER	QTY	UNIT PRICE \$
<b>SPRING:</b>	<b>2744</b>	1	
<b>SPRING: 100 KGS +</b>	<b>2745</b>		
STRUT	USE OE <span style="border: 1px solid black; padding: 0 2px;">1</span>		

REAR <i>Estimated Lift: 50mm</i>	ALL MODELS		
	PART NUMBER	QTY	UNIT PRICE \$
<b>SPRING: MEDIUM LOAD</b>	<b>2746</b>	1	
<b>SPRING: CONSTANT 200 KGS</b>	<b>2743</b>		
STRUT	USE OE <span style="border: 1px solid black; padding: 0 2px;">1</span>		

**REMARKS:**

- 1** Coils are suitable to be used with original OE struts, OME will not be developing replacement struts.

## DISCOVERY 1999 TO 2004 ALL COIL SUSPENSION MODELS

FRONT <i>Estimated Lift: 40mm</i>	PETROL & DIESEL ENGINES		
	PART NUMBER	QTY	UNIT PRICE \$
<b>SPRING: TO 20 KGS</b>	<b>2776</b> <span style="border: 1px solid black; padding: 0 2px;">1</span>	1	
NITROCHARGER SPORT	60024	2	
NITROCHARGER	N107 <span style="border: 1px solid black; padding: 0 2px;">3</span>		
<b>SPRING: 21 TO 50 KGS</b>	<b>2777</b> <span style="border: 1px solid black; padding: 0 2px;">1</span>	1	
NITROCHARGER SPORT	60024	2	
NITROCHARGER	N107 <span style="border: 1px solid black; padding: 0 2px;">3</span>		
<b>SPRING: 51 TO 110 KGS</b>	<b>2779</b> <span style="border: 1px solid black; padding: 0 2px;">1</span>	1	
NITROCHARGER SPORT	60024	2	
NITROCHARGER	N107 <span style="border: 1px solid black; padding: 0 2px;">3</span>		
STEERING DAMPER	OMESD02	1	
COIL PACKER	OMELRCP2 <span style="border: 1px solid black; padding: 0 2px;">2</span>		

REAR <i>Estimated Lift: 40mm</i>	ALL MODELS		
	PART NUMBER	QTY	UNIT PRICE \$
<b>SPRING: MEDIUM LOAD</b>	<b>2781</b>	1	
NITROCHARGER SPORT	60026	2	
<b>SPRING: CONSTANT 100 KGS</b>	<b>2762</b>	1	
NITROCHARGER SPORT	60025	2	
<b>SPRING: CONSTANT 200 KGS</b>	<b>2763</b>	1	
NITROCHARGER SPORT	60025	2	
COIL PACKER	OMELRCP1 <span style="border: 1px solid black; padding: 0 2px;">2</span>		

**REMARKS:**

- 1** On 2003 Models lift will be between 25 to 35mm.
- 2** 8mm Steel Coil Seat Packer, refer to fitting instructions supplied with packer.  
**Important:** To prevent possible over stressing of the spring, only one packer can be fitted under each coil seat.
- 3** When remaining stock of N107 is exhausted no further product will be available.

# LAND ROVER

## DISCOVERY TO 1998 & RANGE ROVER TO 5/1995<sup>3</sup>

FRONT <i>Estimated Lift: To 40mm</i>	PETROL ENGINES			DIESEL ENGINES		
	PART NUMBER	QTY	UNIT PRICE \$	PART NUMBER	QTY	UNIT PRICE \$
<b>SPRING: TO 20 KGS: 20mm</b>	<b>2760</b>	1		-		
NITROCHARGER SPORT	60037	2		-		
NITROCHARGER	N45F <sup>4</sup>			-		
<b>SPRING: TO 50 KGS: 30mm</b>	<b>2761</b>	1		<b>2751</b>	1	
NITROCHARGER SPORT	60037	2		60037	2	
NITROCHARGER	N45F <sup>4</sup>			N45F <sup>4</sup>		
<b>SPRING: 51 TO 110 KGS</b>	<b>2767</b>	1		<b>2767</b>	1	
NITROCHARGER SPORT	60037	2		60037	2	
STEERING DAMPER	OMESD11	1		OMESD11	1	
CASTER KIT	CALR1 <sup>1</sup>			CALR1 <sup>1</sup>		
	CALR2			CALR2		
COIL PACKER	OMELRCP1 <sup>2</sup>			OMELRCP1 <sup>2</sup>		

REAR <i>Estimated Lift: 40mm</i>	ALL MODELS		
	PART NUMBER	QTY	UNIT PRICE \$
<b>SPRING: MEDIUM LOAD</b>	<b>2764</b>	1	
NITROCHARGER SPORT	60038	2	
NITROCHARGER SPORT HIGH ARTICULATION	60146 <sup>6</sup>		
<b>SPRING: CONSTANT 100 KGS</b>	<b>2762</b>	1	
NITROCHARGER SPORT	60039	2	
NITROCHARGER SPORT HIGH ARTICULATION	60147 <sup>5</sup>		
<b>SPRING: CONSTANT 200 KGS</b>	<b>2763</b>	1	
NITROCHARGER SPORT	60039	2	
NITROCHARGER SPORT HIGH ARTICULATION	60147		
COIL PACKER	OMELRCP1 <sup>2</sup>		
REAR UPPER SHOCK MOUNT	FK64 <sup>5</sup>	1	

### REMARKS:

- 1** CALR1 : Fits pre '86 Range Rover.  
CALR2 : Fits post '86 Range Rover, all Discovery and Defender 130 Dual Cab Utility.  
NB: Do not fit to automatic Range Rovers or Discovery due to possible vibration problems.
- 2** 8mm Steel Coil Seat Packer, refer to fitting instructions supplied with packer.  
**Important:** To prevent possible over stressing of the spring, only one packer can be fitted under each coil seat.
- 3** Not suitable for Models with air suspension.
- 4** When remaining stock of N45F is exhausted no further product will be available.
- 5** For high articulation vehicles it is recommended to replace rear upper shock mount with FK64 and matching shocks 60146 or 60147.



# LAND ROVER

## DEFENDER & COUNTY 110

FRONT <i>Estimated Lift: To 40mm</i>	V8 PETROL ENGINES			3.9 ISUZU DIESEL ENGINES		
	PART NUMBER	QTY	UNIT PRICE \$	PART NUMBER	QTY	UNIT PRICE \$
<b>SPRING: TO 50 KGS: 30mm Lift</b>	2761	1		2766	1	
NITROCHARGER SPORT	60037 <sup>1</sup>	2		60037 <sup>1</sup>	2	
NITROCHARGER	N45F <sup>1 5</sup>			N45F <sup>1 5</sup>		
<b>SPRING: 51 TO 110 KGS</b>	2751	1		2766	1	
NITROCHARGER SPORT	60037 <sup>1</sup>	2		60037 <sup>1</sup>	2	
STEERING DAMPER	OMESD32			OMESD32		
CASTER KIT	CALR1 <sup>1</sup>	1		CALR1	1	
	CALR2 <sup>1</sup>					
COIL PACKER	OMELRCP1 <sup>4</sup>			OMELRCP1 <sup>4</sup>		

FRONT <i>Estimated Lift: To 40mm</i>	2.5 DIESEL ENGINES			REMARKS:
	PART NUMBER	QTY	UNIT PRICE \$	
<b>SPRING: TO 50 KGS: 30mm Lift</b>	2751	1		<p><b>Caution:</b> Due to altered gearbox mounts on Models after 1998 any lift above OE ride height may cause front driveline vibration that can only be rectified by fitment of front double cardan joints.</p> <p><sup>1</sup> Caster Kit will increase caster angle by 2°. Check manufacturer's specifications to determine if Caster Kit is required.</p> <p>CALR1 suits 38mm wide control arms. CALR2 suits 44mm wide control arms.</p> <p><sup>2</sup> 2752 coil has a softer spring than OE coil. This is to provide improved ride quality with light loads only.</p> <p>OE springs are designated as medium load springs.</p> <p><sup>3</sup> Original inner helper coil, where fitted, must be re-installed with OME Coils.</p> <p><sup>4</sup> 8mm Steel Coil Seat Packer, refer to selection chart supplied with packer.</p> <p><b>Important:</b> To prevent possible over stressing of the spring, only one packer can be fitted under each coil seat.</p> <p><sup>5</sup> When remaining stock of N45F is exhausted no further product will be available.</p> <p><sup>6</sup> For high articulation vehicles it is recommended to replace rear upper shock mount with FK64 and matching shock absorbers 60146 or 60147.</p>
NITROCHARGER SPORT	60037 <sup>1</sup>	2		
NITROCHARGER	N45F <sup>1 5</sup>			
<b>SPRING: 51 TO 110 KGS</b>	2767	1		
NITROCHARGER SPORT	60037 <sup>1</sup>	2		
STEERING DAMPER	OMESD32			
CASTER KIT	CALR1 <sup>1</sup>	1		
	CALR2 <sup>1</sup>			
COIL PACKER	OMELRCP1 <sup>4</sup>			

REAR <i>Estimated Lift: To 55mm</i>	ALL MODELS		
	PART NUMBER	QTY	UNIT PRICE \$
<b>SPRING: LIGHT LOAD: 25mm Lift</b>	2752 <sup>2</sup>	1	
NITROCHARGER SPORT	60038		
NITROCHARGER SPORT HIGH ARTICULATION	60146 <sup>6</sup>	2	
<b>SPRING: CONSTANT 300 KGS</b>	2755	1	
NITROCHARGER SPORT	60039		
NITROCHARGER SPORT HIGH ARTICULATION	60147 <sup>6</sup>	2	
<b>SPRING: CONSTANT 500 KGS</b>	2754 <sup>3</sup>	1	
NITROCHARGER SPORT	60039		
NITROCHARGER SPORT HIGH ARTICULATION	60147	2	
COIL PACKER	OMELRCP3 <sup>4</sup>		
REAR UPPER SHOCK MOUNT	FK64 <sup>6</sup>	1	

## DEFENDER 110 LONG TRAVEL

FRONT <i>Estimated Lift: To 50mm</i>	DIESEL ENGINES		
	PART NUMBER	QTY	UNIT PRICE \$
<b>SPRING: NO BAR</b>	3062 <sup>1</sup> <sub>2</sub>	1	
NITROCHARGER SPORT	60018	2	
<b>SPRING: BAR / BAR &amp; WINCH</b>	3063 <sup>1</sup> <sub>2</sub>	1	
NITROCHARGER SPORT	*60070 / 60018	2	
STEERING DAMPER	OMESD32		
CASTER KIT	CALR1	1	
	CALR2 <sup>3</sup>		
COIL PACKER	OMELRCP1 <sup>4</sup>		

**5 Important:** 3064 has reduced spring rate from OE to provide improved ride quality for light loads.

**6** Trailing Arm Bush is an optional fit. Bush kit is offset and accommodates for the increased angle of the trailing arm due to longer travel.

REAR <i>Estimated Lift: To 50mm</i>	ALL MODELS		
	PART NUMBER	QTY	UNIT PRICE \$
<b>SPRING: MEDIUM LOAD</b>	3064 <sup>1</sup> <sub>2</sub> <sup>5</sup>	1	
NITROCHARGER SPORT	60018	2	
<b>SPRING: CONSTANT 300 KGS</b>	3065 <sup>1</sup> <sub>2</sub>	1	
NITROCHARGER SPORT	*60070 / 60018	2	
<b>SPRING: CONSTANT 500 KGS</b>	3066 <sup>2</sup> <sub>1</sub>	1	
NITROCHARGER SPORT	60070 <sup>2</sup>	2	
REAR UPPER SHOCK MOUNT	FK64 <sup>2</sup>	1	
COIL PACKER	OMELRCP3 <sup>4</sup>		
BUSH KIT TRAILING ARM OFFSET 16MM PIN (OPTIONAL)	OMESB0068 <sup>6</sup>		
BUSH KIT TRAILING ARM OFFSET 20MM PIN (OPTIONAL)	OMESB0069		

FRONT & REAR	FITTING KITS		
	PART NUMBER	QTY	UNIT PRICE \$
BUMP SPACER KIT	FK62 <sup>2</sup>	1	
SWAY BAR SPACER KIT	FK63		

### REMARKS:

**Caution:** Front driveshaft **MUST** be replaced / modified with Double Cardan Joints and checked for Uni bind with OME shocks installed at droop. FK62, FK63 & FK64 are mandatory fitment also.

- 1** When fitting coil springs recommended, you **must** use 60018 / 60070 shock absorbers to achieve minimum down travel requirement.
- 2** When fitting 60018 / 60070 the following are **mandatory** requirements:
  - \* Fit longer coils 3062 - 3066 for springs to remain trapped with shocks fully extended
  - \* Fit FK62 to prevent shock damage
  - \* Fit FK63 for front driveshaft clearance and rear extended travel
  - \* Fit FK64 which replaces OE upper shock mount when fitting rear shocks
  - \* Remove any inner helper coils already fitted
- 3** Caster Kit will increase caster angle by 2°. Check manufacturer's specifications to determine if Caster Kit is required. CALR1 suits 38mm wide control arms. CALR2 suits 44mm wide control arms.
- 4** 8mm Steel Coil Seat Packer, refer to selection chart supplied with packer. **Important:** To prevent possible over stressing of the spring, only one packer can be fitted under each coil seat.

# LAND ROVER

## DEFENDER 110 BP-51 LONG TRAVEL (EXCLUDES PUMA MODELS)

FRONT <i>Estimated Lift: To 50mm</i>	2.5L DIESEL ENGINES		
	PART NUMBER	QTY	UNIT PRICE \$
<b>SPRING: NO BAR</b>	<b>3062</b> <sup>1</sup>	1	
BP-51 FRONT SHOCK	BP5160035 <sup>2</sup>	2	
<b>SPRING: BAR / BAR &amp; WINCH</b>	<b>3063</b> <sup>1</sup>	1	
BP-51 FRONT SHOCK	BP5160045 <sup>2</sup>	2	
BP-51 KIT DEFENDER FRONT	VM80010036	1	
STEERING DAMPER	OMESD32		
CASTER KIT	CALR1	1	
	CALR2 <sup>3</sup>		
COIL PACKER	OMELRCP1 <sup>4</sup>		

REAR <i>Estimated Lift: To 50mm</i>	DEFENDER 110		
	PART NUMBER	QTY	UNIT PRICE \$
<b>SPRING: MEDIUM LOAD</b>	<b>3064</b> <sup>1</sup> <sup>5</sup>	1	
BP-51 REAR SHOCK	BP5160036 <sup>2</sup>	2	
<b>SPRING: CONSTANT 300 KGS</b>	<b>3065</b> <sup>1</sup>	1	
BP-51 REAR SHOCK	BP5160036 <sup>2</sup>	2	
<b>SPRING: CONSTANT 500 KGS</b>	<b>3066</b> <sup>1</sup>	1	
BP-51 REAR SHOCK	BP5160036 <sup>2</sup>	2	
BP-51 KIT DEFENDER REAR	VM80010037	1	
COIL PACKER	OMELRCP3 <sup>4</sup>		
BUSH KIT TRAILING ARM OFFSET 16MM PIN (OPTIONAL)	OMESB0068 <sup>6</sup>		
BUSH KIT TRAILING ARM OFFSET 20MM PIN (OPTIONAL)	OMESB0069		

### REMARKS:

**Caution:** Front driveshaft **MUST** be replaced / modified with Double Cardan Joints and checked for Uni bind with BP-51 shocks installed at droop.

- 1** When fitting coil springs recommended, it is **mandatory** to use BP-51 shock absorbers to achieve minimum down travel requirement.
- When fitting BP-51 shock absorbers the following are **mandatory** requirements:
  - \* Fit longer coils 3062-3066 for springs to remain trapped with shocks fully extended
  - \* Remove any inner helper coils already fitted
- 3** Caster Kit will increase caster angle by 2°. Check manufacturer's specifications to determine if Caster Kit is required. CALR1 suits 38mm wide control arms. CALR2 suits 44mm wide control arms.
- 4** 8mm Steel Coil Seat Packer, refer to selection chart supplied with packer.  
**Important:** To prevent possible over stressing of the spring, only one packer can be fitted under each coil seat.
- 5** **Important:** 3064 has reduced spring rate from OE to provide improved ride quality for light loads.
- 6** Trailing Arm Bush is an optional fit. Bush kit is offset and accommodates for the increased angle of the trailing arm due to longer travel.

## DEFENDER 130 MODEL

FRONT <i>Estimated Lift: 20mm</i>	DIESEL ENGINE		
	PART NUMBER	QTY	UNIT PRICE \$
<b>SPRING: TO 50 KGS</b>	<b>2751</b>	1	
NITROCHARGER SPORT	60037	2	
NITROCHARGER	N45F <span style="border: 1px solid black; padding: 0 2px;">5</span>		
<b>SPRING: 51 TO 110 KGS</b>	<b>2767</b>	1	
NITROCHARGER SPORT	60037	2	
STEERING DAMPER	OMESD32	1	
CASTER KIT	CALR1 <span style="border: 1px solid black; padding: 0 2px;">1</span>		
	CALR2		
COIL PACKER	OMELRCP1 <span style="border: 1px solid black; padding: 0 2px;">3</span>		

**REMARKS:**

**Caution:** Due to altered gearbox mounts on Models after 1998 any lift above OE ride height may cause front driveline vibration that can only be rectified by fitment of front double cardan joints.

**1** Caster Kit will increase caster angle by 2°. Check manufacturer's specifications to determine if Caster Kit is required.

CALR1 suits 38mm wide control arms. CALR2 suits 44mm wide control arms.

REAR <i>Estimated Lift: To 40mm</i>	DIESEL ENGINE		
	PART NUMBER	QTY	UNIT PRICE \$
<b>SPRING: LIGHT LOAD: 25mm Lift</b>	<b>2755</b> <span style="border: 1px solid black; padding: 0 2px;">2</span>	1	
NITROCHARGER SPORT	60039	2	
NITROCHARGER SPORT HIGH ARTICULATION	60147 <span style="border: 1px solid black; padding: 0 2px;">6</span>		
<b>SPRING: CONSTANT 400 KGS</b>	<b>2754</b> <span style="border: 1px solid black; padding: 0 2px;">4</span>	1	
NITROCHARGER SPORT	60039	2	
NITROCHARGER SPORT HIGH ARTICULATION	60147		
COIL PACKER	OMELRCP3 <span style="border: 1px solid black; padding: 0 2px;">3</span>		
REAR UPPER SHOCK MOUNT	FK64 <span style="border: 1px solid black; padding: 0 2px;">6</span>	1	

**2** **Important:** 2755 has reduced spring rate from OE to provide improved ride quality for light loads. Original inner helper coil, where fitted, **must** be re-installed with OME coils.

**3** 8mm Steel Coil Seat Packer, refer to selection chart supplied with packer. **Important:** To prevent possible overstressing of the spring, only one packer can be fitted under each coil seat.

**4** Original inner helper coil, where fitted, must be re-installed with OME coils.

**5** When remaining stock of N45F is exhausted no further product will be available.

**6** For high articulation vehicles it is recommended to replace rear upper shock mount with FK64 and matching shock absorbers 60147.

# LAND ROVER

## 90 SERIES

FRONT <i>Estimated Lift: 30mm</i>	PETROL ENGINE			DIESEL ENGINE		
	PART NUMBER	QTY	UNIT PRICE \$	PART NUMBER	QTY	UNIT PRICE \$
<b>SPRING: TO 50 KGS</b>	<b>2761</b>	1		<b>2751</b>	1	
NITROCHARGER SPORT	60037	2		60037	2	
NITROCHARGER	N45F <span style="border: 1px solid black; padding: 0 2px;">2</span>			-		
<b>SPRING: 51 TO 110 KGS</b>	<b>2751</b>	1		<b>2767</b>	1	
NITROCHARGER SPORT	60037	2		60037	2	
STEERING DAMPER	OMESD32	1		OMESD32	1	
CASTER KIT	CALR1			CALR1		
	CALR2 <span style="border: 1px solid black; padding: 0 2px;">1</span>			CALR2 <span style="border: 1px solid black; padding: 0 2px;">1</span>		

REAR <i>Estimated Lift: 45 - 55mm</i>	ALL MODELS		
	PART NUMBER	QTY	UNIT PRICE \$
<b>SPRING: MEDIUM LOAD</b>	<b>2764</b>	1	
NITROCHARGER SPORT	60038	2	
NITROCHARGER SPORT HIGH ARTICULATION	60146 <span style="border: 1px solid black; padding: 0 2px;">3</span>		
<b>SPRING: CONSTANT 200 KGS</b>	<b>2762</b>	1	
NITROCHARGER SPORT	60039	2	
NITROCHARGER SPORT HIGH ARTICULATION	60147 <span style="border: 1px solid black; padding: 0 2px;">3</span>		
REAR UPPER SHOCK MOUNT	FK64 <span style="border: 1px solid black; padding: 0 2px;">3</span>	1	

### REMARKS:

**Caution:** Due to altered gearbox mounts on Models after 1998 any lift above OE ride height may cause front driveline vibration that can only be rectified by fitment of front double cardan joints.

- 1** Caster Kit will increase caster angle by 2°. Check manufacturer's specifications to determine if Caster Kit is required. CALR1 suits 38mm wide control arms. CALR2 suits 44mm wide control arms.
- 2** When remaining stock of N45F is exhausted no further product will be available.
- 3** For high articulation vehicles it is recommended to replace rear upper shock mount with FK64 and matching shocks 60146 or 60147.

## BT-50 2021 ON ALL MODELS 6

FRONT <i>Estimated Lift: 40mm</i>	DIESEL ENGINE		
	PART NUMBER	QTY	UNIT PRICE \$
<b>SPRING: No Bar</b>	<b>2883</b>	1	
STRUT SPORT	90045 <span style="border: 1px solid black; padding: 0 2px;">1</span>	2	
<b>SPRING: Bar Only</b>	<b>3114</b>	1	
STRUT SPORT	*90046 / 90045 <span style="border: 1px solid black; padding: 0 2px;">1</span>	2	
<b>SPRING: Bar / Winch</b>	<b>2884</b>	1	
STRUT SPORT	90046 <span style="border: 1px solid black; padding: 0 2px;">1</span>	2	
<b>SPRING: Bar, Winch &amp; Accessories</b>	<b>2885</b>	1	
STRUT SPORT	90046 <span style="border: 1px solid black; padding: 0 2px;">1</span>	2	
<b>BP-51 SELECTION</b>			
BP-51 COIL OVER FRONT RH	BP5190014R	1	
BP-51 COIL OVER FRONT LH	BP5190014L		
BP FIT KIT FRONT	VM80010044		
TRIM PACKER	OME95PF5		
UPPER STRUT BUSHES	OME3134 <span style="border: 1px solid black; padding: 0 2px;">1</span>		
STRUT TOP HAT KIT	OMETH004 <span style="border: 1px solid black; padding: 0 2px;">5</span>		
REAR <i>Estimated Lift: 40mm</i> <span style="border: 1px solid black; padding: 0 2px;">6</span>	ALL MODELS		
	PART NUMBER	QTY	UNIT PRICE \$
<b>SPRING: MEDIUM LOAD</b>	<b>EL123R</b>	2	
NITROCHARGER SPORT	60167		
<b>SPRING: CONSTANT 300 KGS</b>	<b>EL124R</b>	2	
NITROCHARGER SPORT	*60168 / 60167		
<b>SPRING: CONSTANT 600 KGS</b>	<b>EL125R</b>	2	
NITROCHARGER SPORT	60168		
<b>BP-51 SELECTION</b>			
BP-51 SHOCK REAR	BP5160050	2	
BP FIT KIT REAR	VM80010045	1	
SPRING BUSH KIT	OMESB119 <span style="border: 1px solid black; padding: 0 2px;">2</span>	2	
	OMESB120		
U BOLTS	OMEU53A	4	
	OMEU53B <span style="border: 1px solid black; padding: 0 2px;">3</span>		
GREASABLE SHACKLE KIT	OMEGS26	1	
GREASABLE PIN KIT	OMEGP9		
EXTRA LEAF	EL39XL <span style="border: 1px solid black; padding: 0 2px;">3</span>	2	
TRIM PACKER	ELSK05		
EXTRA LEAF SPACER KIT	ELSK12	2	
HANDBRAKE RELOCATION BRACKET	FK66 <span style="border: 1px solid black; padding: 0 2px;">4</span>	1	
CENTRE BOLT	REFER TO LEAF SPRING SERVICE PARTS page 174		

**REMARKS:**

- 1 No top mounting bushes supplied, use OME3134. OE bushes may be re-used if in good condition. OME struts can only be installed with OME coils.
- 2 OMESB119 Bush Kit suits OME Greasable Shackle, OMEGS26. OMESB120 Bush Kit suits OE Shackle.
- 3 If fitting extra leaf to EL125R, use U Bolt OMEU53B.
- 4 Handbrake Relocation Bracket FK66 is required fitment.
- 5 Strut Top Hat Kit may be required if original equipment is worn.
- 6 LS-M Ute & SX XT Cab Chassis models are fitted with heavy duty leaf springs. Lift results may vary.

## BT-50 2011 TO 2020<sup>9</sup>

FRONT <i>Estimated Lift: 50mm</i>	DIESEL ENGINE		
	PART NUMBER	QTY	UNIT PRICE \$
<b>SPRING: No Bar</b>	<b>2997</b>	1	
STRUT SPORT	90019 <span style="border: 1px solid black; padding: 0 2px;">1</span>	2	
<b>SPRING: Bar</b>	<b>2998</b>	1	
STRUT SPORT	*90020 / 90019 <span style="border: 1px solid black; padding: 0 2px;">1</span>	2	
<b>SPRING: Bar / Winch</b>	<b>2999</b>	1	
STRUT SPORT	90020 <span style="border: 1px solid black; padding: 0 2px;">1</span>	2	
<b>SPRING: No Bar: 30mm LIFT</b>	<b>3048</b>	1	
STRUT SPORT	90019 <span style="border: 1px solid black; padding: 0 2px;">1</span>	2	
<b>BP-51 SELCTION: Estimated Lift 30 - 40mm</b>			
BP-51 COIL OVER FRONT RH	BP5190005R	1	
BP-51 COIL OVER FRONT LH	BP5190005L		
BP-51 FIT KIT FRONT	VM80010011		
UPPER CONTROL ARM	UCA0002 <span style="border: 1px solid black; padding: 0 2px;">10</span>		
TRIM PACKER	FK56 <span style="border: 1px solid black; padding: 0 2px;">2</span>		
UPPER STRUT BUSHES	OME3135 <span style="border: 1px solid black; padding: 0 2px;">1</span>	2	
STRUT TOP HAT KIT	OMETH006 <span style="border: 1px solid black; padding: 0 2px;">7</span>		
REAR <i>Estimated Lift: 50mm</i>	ALL MODELS		
	PART NUMBER	QTY	UNIT PRICE \$
<b>SPRING: MEDIUM LOAD</b>	<b>EL126R</b> <span style="border: 1px solid black; padding: 0 2px;">4</span>	2	
NITROCHARGER SPORT	*60101 / 60023		
<b>SPRING: CONSTANT 300 KGS</b>	<b>EL127R</b> <span style="border: 1px solid black; padding: 0 2px;">4</span>	2	
NITROCHARGER SPORT	*60102 / 60101		
<b>SPRING: CONSTANT 600 KGS</b>	<b>EL128R</b> <span style="border: 1px solid black; padding: 0 2px;">4</span>	2	
NITROCHARGER SPORT	60102		
<b>BP-51 SELECTION</b>			
BP-51 SHOCK REAR RH	*BP5160037R / BP5160027R	1	
BP-51 SHOCK REAR LH	*BP5160037L / BP5160027L		
BP-51 FIT KIT REAR	VM80010012		
GREASABLE SHACKLE KIT	OMEGS20	1	
GREASABLE PIN KIT	<sup>11</sup> EL102R/EL103R/EL126R/EL127R/EL128R		
	<sup>11</sup> EL049R/EL068R		
SPRING BUSH KITS	<sup>11</sup> EL102R/EL103R/EL126R/EL127R/EL128R	2	
	OMESB117 <span style="border: 1px solid black; padding: 0 2px;">3</span>		
	OMESB118 <span style="border: 1px solid black; padding: 0 2px;">3</span>		
	<sup>11</sup> EL049R/EL068R		
U BOLTS	OMEU66 <span style="border: 1px solid black; padding: 0 2px;">4</span>	4	
	OMEU66A <span style="border: 1px solid black; padding: 0 2px;">4</span>		
	OMEU66B <span style="border: 1px solid black; padding: 0 2px;">4</span>		
DRIVELINE SPACER KIT	FK57 <span style="border: 1px solid black; padding: 0 2px;">5</span> <span style="border: 1px solid black; padding: 0 2px;">8</span>	1	
EXTRA LEAF	EL34XL <span style="border: 1px solid black; padding: 0 2px;">6</span>	2	
TRIM PACKER	ELSK05		
EXTRA LEAF SPACER KIT	ELSK12	2	
CENTRE BOLT	REFER TO LEAF SPRING SERVICE PARTS page 174		

**REMARKS:**

- 1** No top mounting bushes supplied, use OME3135. OE bushes may be re-used if in good condition.
- 2** Trim Packer FK56 provides 10mm lift at the wheel.
- 3** OMESB117 suits OE Shackle - <sup>11</sup>EL102R/<sup>11</sup>EL103R/EL126R/EL127R/EL128R.  
OMESB102 suits OE Shackle - EL049R/<sup>11</sup>EL068R.  
OMESB118 Bush Kit suits OME Greasable Shackle OMEGS20 - <sup>11</sup>EL102R/<sup>11</sup>EL103R/EL126R/EL127R/EL128R.  
OMESB103 suits OME Greasable Shackle OMEGS20 - EL049R/<sup>11</sup>EL068R.
- 4** Use OMEU66 when fitting <sup>11</sup>EL102R/EL126R.  
Use OMEU66A when fitting <sup>11</sup>EL103R/EL127R/EL128R.  
Use OMEU66B when fitting EL128R with EL34XL.
- 5** Fitment of Driveline Spacer Kit FK57 is recommended to re-align driveline.
- 6** EL34XL will give approximately 30mm extra lift or increase loading capacity at design height by approximately 300kg.
- 7** Strut Top Hat Kit may be required if original equipment is worn.
- 8** If a TAD110 Frontier tank is installed in the vehicle, when fitting the FK57 spacer kit, the tank will need to be lowered to allow removal of the centre bearing bolts.
- 9** **Important:** Please refer to TSB003.
- 10** The OME Upper Control Arm will provide an increase between +2.5 and +3.5 degrees of caster and up to 1.5 degrees of negative camber increase (figures based off an approximate 50mm lift). Please note after fitment of Upper Control Arm a vehicle wheel alignment will be required.
- 11** When remaining stock of EL068R, EL102R and EL103R is exhausted no further product will be available.

## BT-50 1 TONNE 12/2006 TO 2011 ALL MODELS

FRONT	PETROL & DIESEL ENGINES		
	PART NUMBER	QTY	UNIT PRICE \$
TORSION BARS: OVER 60 KGS	303013 <sup>1</sup>	1	
NITROCHARGER SPORT	60022 <sup>2</sup>	2	
NITROCHARGER	N194 <sup>4</sup>		
FITTING KIT	FK22 <sup>2</sup>	1	

REAR <i>Estimated Lift: 20mm</i>	ALL MODELS		
	PART NUMBER	QTY	UNIT PRICE \$
<b>SPRING: MEDIUM LOAD</b>	<b>CS056R</b> <sup>3 5</sup>	2	
NITROCHARGER SPORT	60023		
<b>SPRING: CONSTANT 200 KGS</b>	<b>EL049R</b> <sup>3 5</sup>	2	
NITROCHARGER SPORT	60023		
<b>SPRING: CONSTANT 400 KGS</b>	<b>CS060R</b> <sup>3 5</sup>	2	
NITROCHARGER SPORT	*60102 / 60023		
GREASABLE SHACKLE KIT	OMEGS18	1	
GREASABLE PIN KIT	OMEGP14		
U BOLTS	OMEU66 <sup>3</sup>	4	
	OMEU66A		
SPRING BUSH KIT	OMESB97	2	
EXTRA LEAF	D34XL / EL34XL <sup>5</sup>		
CENTRE BOLT	UCB19		

**REMARKS:**

- 1** Some Latin American 12/2006 On Models use 303005 torsion bars, measuring 925mm in length. The 303013 torsion bars measure 1024mm. Check OE torsion bar length before ordering.
- 2** FK22 Front Shock Absorber Upper Mount Supporting Bracket Kit is a **mandatory** fitment.
- 3** Use OMEU66 when fitting CS056R and EL049R. Use OMEU66A when fitting CS060R. Include tray weight in constant load calculation.
- 4** When remaining stock of N187 and N194 is exhausted no further product will be available.
- 5** D34XL and UCB19 suits CS056R and CS060R. EL034XL suits EL049R.

## B SERIES 1 TONNE 1987 TO 2006 ALL MODELS

FRONT	PETROL & DIESEL ENGINES		
	PART NUMBER	QTY	UNIT PRICE \$
TORSION BARS: OVER 60 KGS	303005	1	
NITROCHARGER SPORT	60022 <sup>1</sup>	2	
NITROCHARGER	N51 <sup>3</sup>		
FITTING KIT	FK22 <sup>1</sup>	1	

REAR <i>Estimated Lift: 20mm</i>	ALL MODELS		
	PART NUMBER	QTY	UNIT PRICE \$
<b>SPRING: MEDIUM LOAD</b>	<b>CS026R</b> <sup>2</sup>	2	
NITROCHARGER SPORT	60023		
<b>SPRING: CONSTANT 200 KGS</b>	<b>CS027R</b> <sup>2</sup>	2	
NITROCHARGER SPORT	60023		
U BOLTS	OMEU65	4	
GREASABLE SHACKLE KIT	OMEGS18	1	
SPRING BUSH KIT	OMESB82	2	
EXTRA LEAF	D9XL		
CENTRE BOLT	UCB17		

**REMARKS:**

- 1** FK22 Front Shock Absorber Upper Mount Supporting Bracket Kit is a **mandatory** fitment.
- 2** Include tray weight in constant load calculation.
- 3** When remaining stock of N51 is exhausted no further product will be available.



## G-WAGON G350 BLUETECH / G55 AMG MODELS

FRONT <i>Estimated Lift: 50mm</i>	ALL MODELS		
	PART NUMBER	QTY	UNIT PRICE \$
<b>SPRING: No Bar</b>	<b>3028</b>	1	
STRUT SPORT	60113	2	
<b>SPRING: Bar Or Winch</b>	<b>3029</b>	1	
STRUT SPORT	60113	2	

REAR <i>Estimated Lift: 50mm</i>	ALL MODELS		
	PART NUMBER	QTY	UNIT PRICE \$
<b>SPRING: MEDIUM LOAD</b>	<b>3030</b>	1	
NITROCHARGER SPORT	60114	2	

## PAJERO SPORT 2015 ON MODELS

FRONT <i>Estimated Lift: 20mm</i>	DIESEL ENGINE		
	PART NUMBER	QTY	UNIT PRICE \$
<b>SPRING: NO BAR</b>	<b>2605</b> [1]	1	
STRUT - SPORT	<b>90008</b>	2	
STRUT	N186S [3]		
<b>SPRING: BAR ONLY</b>	<b>2606</b> [1]	1	
STRUT - SPORT	<b>90008</b>	2	
STRUT	N186S [3]		
<b>SPRING: BAR &amp; WINCH</b>	<b>3132</b> [1]	1	
STRUT - SPORT	<b>90008</b>	2	
STRUT	N186S [3]		
UPPER STRUT BUSHES	OME3121 [1]	2	
STRUT TOP HAT KIT	OMETH001 [2]		

**REMARKS:**

- 1** No top mounting bushes supplied, use OME3121. OE bushes may be re-used if in good condition.
- 2** Strut Top Hat Kit may be required if original equipment is worn.
- 3** When remaining stock of N186S is exhausted no further product will be available.

REAR <i>Estimated Lift: 35mm</i>	ALL MODELS		
	PART NUMBER	QTY	UNIT PRICE \$
<b>SPRING: MEDIUM LOAD</b>	<b>2910</b>	1	
NITROCHARGER SPORT	60076	2	
<b>SPRING: CONSTANT 200 KGS</b>	<b>2938</b>	1	
NITROCHARGER SPORT	*60075 / 60076	2	
<b>SPRING: CONSTANT 400 KGS</b>	<b>2838</b>	1	
NITROCHARGER SPORT	60075	2	



## PAJERO 2007 ON ALL LWB MODELS (11/2006)

FRONT <i>Estimated Lift: 30 - 40mm</i>	V6 PETROL ENGINE			2.8 & 3.2 DIESEL ENGINES		
	PART NUMBER	QTY	UNIT PRICE \$	PART NUMBER	QTY	UNIT PRICE \$
<b>SPRING: NO BAR</b>	<b>3108</b>	1		<b>2914</b>	1	
STRUT - SPORT	90006 [2]	2		90006 [2]	2	
<b>SPRING: BAR ONLY</b>	<b>2914</b>	1		<b>3109</b>	1	
STRUT - SPORT	*90007 / 90006 [2]	2		*90007 / 90006 [2]	2	
<b>SPRING: BAR &amp; WINCH</b>	<b>3109</b>	1		<b>2915</b>	1	
STRUT - SPORT	90007 [2]	2		90007 [2]	2	
UPPER STRUT BUSHES	OME3101 [2]	2		OME3101 [2]	2	
STRUT TOP HAT KIT	OMETH007 [3]			OMETH007 [3]		

**REMARKS:**

- 1** It is recommended that a 4 wheel alignment is carried out.
- 2** No top mounting bushes supplied, use OME3101. OE bushes may be re-used if in good condition.
- 3** Strut Top Hat Kit may be required if original equipment is worn.

REAR <i>Estimated Lift: 40 - 50mm</i>	ALL MODELS		
	PART NUMBER	QTY	UNIT PRICE \$
<b>SPRING: MEDIUM LOAD</b>	<b>3110</b> [1]	1	
NITROCHARGER SPORT	60019	2	
<b>SPRING: CONSTANT 200 KGS</b>	<b>3111</b> [1]	1	
NITROCHARGER SPORT	60033	2	
<b>SPRING: CONSTANT 400 KGS</b>	<b>3112</b>	1	
NITROCHARGER SPORT	60033	2	

## PAJERO / MONTERO 2000 TO 2006 ALL LWB MODELS

(To 10/06)

<b>FRONT</b> <i>Estimated Lift: 35mm</i>	<b>V6 PETROL ENGINE</b>			<b>2.8 &amp; 3.2 DIESEL ENGINES</b>		
	PART NUMBER	QTY	UNIT PRICE \$	PART NUMBER	QTY	UNIT PRICE \$
<b>SPRING: TO 50 KGS</b>	<b>2914</b>	1		<b>2915</b>	1	
STRUT - SPORT	90006 <span style="border: 1px solid black; padding: 0 2px;">2</span>	2		90006 <span style="border: 1px solid black; padding: 0 2px;">2</span>	2	
<b>SPRING: 51 TO 100 KGS</b>	<b>2915</b>	1		<b>2924</b>	1	
STRUT - SPORT	90007 <span style="border: 1px solid black; padding: 0 2px;">2</span>	2		90007 <span style="border: 1px solid black; padding: 0 2px;">2</span>	2	
UPPER STRUT BUSHES	OME3101 <span style="border: 1px solid black; padding: 0 2px;">2</span>			OME3101 <span style="border: 1px solid black; padding: 0 2px;">2</span>		
STRUT TOP HAT KIT	OMETH007 <span style="border: 1px solid black; padding: 0 2px;">3</span>			OMETH007 <span style="border: 1px solid black; padding: 0 2px;">3</span>		

<b>REAR</b> <i>Estimated Lift: 40mm</i>	<b>ALL MODELS</b>			<b>REMARKS:</b>
	PART NUMBER	QTY	UNIT PRICE \$	
<b>SPRING: MEDIUM LOAD</b>	<b>2917</b> <span style="border: 1px solid black; padding: 0 2px;">1</span>	1		<b>1</b> It is recommended that a 4 wheel alignment is carried out. <b>2</b> No top mounting bushes supplied, use OME3101. OE bushes may be re-used if in good condition. <b>3</b> Strut Top Hat Kit may be required if original equipment is worn.
NITROCHARGER SPORT	60019	2		
<b>SPRING: CONSTANT 200 KGS</b>	<b>2918</b> <span style="border: 1px solid black; padding: 0 2px;">1</span>	1		
NITROCHARGER SPORT	60033	2		
<b>SPRING: CONSTANT 300 KGS</b>	<b>2995</b>	1		
NITROCHARGER SPORT	60033	2		

## PAJERO / MONTERO 2000 ON ALL SWB MODELS

<b>FRONT</b> <i>Estimated Lift: 35mm</i>	<b>V6 PETROL ENGINE</b>			<b>3.2 DIESEL ENGINE</b>		
	PART NUMBER	QTY	UNIT PRICE \$	PART NUMBER	QTY	UNIT PRICE \$
<b>SPRING: TO 50 KGS</b>	<b>2914</b>	1		<b>2915</b>	1	
STRUT - SPORT	90006 <span style="border: 1px solid black; padding: 0 2px;">2</span>	2		90006 <span style="border: 1px solid black; padding: 0 2px;">2</span>	2	
<b>SPRING: 51 TO 100 KGS</b>	<b>2915</b>	1		<b>2924</b>	1	
STRUT - SPORT	90007 <span style="border: 1px solid black; padding: 0 2px;">2</span>	2		90007 <span style="border: 1px solid black; padding: 0 2px;">2</span>	2	
UPPER STRUT BUSHES	OME3101 <span style="border: 1px solid black; padding: 0 2px;">2</span>			OME3101 <span style="border: 1px solid black; padding: 0 2px;">2</span>		
STRUT TOP HAT KIT	OMETH007 <span style="border: 1px solid black; padding: 0 2px;">3</span>			OMETH007 <span style="border: 1px solid black; padding: 0 2px;">3</span>		

<b>REAR</b> <i>Estimated Lift: 40mm</i>	<b>ALL MODELS</b>			<b>REMARKS:</b>
	PART NUMBER	QTY	UNIT PRICE \$	
<b>SPRING: MEDIUM LOAD</b>	<b>2994</b> <span style="border: 1px solid black; padding: 0 2px;">1</span>	1		<b>1</b> It is recommended that a 4 wheel alignment is carried out. <b>2</b> No top mounting bushes supplied, use OME3101. OE bushes may be re-used if in good condition. <b>3</b> Strut Top Hat Kit may be required if original equipment is worn.
NITROCHARGER SPORT	60019	2		
<b>SPRING: CONSTANT 200 KGS</b>	<b>2917</b> <span style="border: 1px solid black; padding: 0 2px;">1</span>	1		
NITROCHARGER SPORT	60033	2		

## PAJERO / MONTERO 1991 TO 1999 SWB & LWB REAR LEAF SPRING MODELS

<b>FRONT</b>			
	PART NUMBER	QTY	UNIT PRICE \$
TORSION BARS: OVER 50 KGS	303010 <span style="float: right; border: 1px solid black; padding: 0 2px;">1</span>	1	
NITROCHARGER SPORT	60040	2	
NITROCHARGER	N18 <span style="float: right; border: 1px solid black; padding: 0 2px;">3</span>		

<b>REAR</b>		<b>ALL MODELS</b>	
<i>Estimated Lift: 45 - 50mm</i>		PART NUMBER	QTY
	PART NUMBER	QTY	UNIT PRICE \$
<b>SPRING: MEDIUM LOAD</b>	<b>CS022R</b> <span style="float: right; border: 1px solid black; padding: 0 2px;">2</span>	2	
NITROCHARGER SPORT	60057	2	
<b>SPRING: CONSTANT 250 KGS</b>	<b>CS023R</b> <span style="float: right; border: 1px solid black; padding: 0 2px;">2</span>	2	
NITROCHARGER SPORT	*60036 / 60057	2	
SPRING BUSH KIT	OMESB38 <span style="float: right; border: 1px solid black; padding: 0 2px;">2</span>	2	
GREASABLE SHACKLE KIT	OMEGS16	1	

**REMARKS:**

**1** Raise or lower front end clearance and trim vehicle by adjusting front torsion bars.

**Important:** A minimum of 60mm of droop must be maintained.

303010 suits 88 To 90 V6 Models and all Models 91 To 94 - length 1278mm.

303011 suits all Models 95 To 00 - length 1308mm.

**2** OMESB38 must be used to fit OME springs.

**3** When remaining stock of N18 is exhausted no further product will be available.

## PAJERO / MONTERO 1991 TO 1999 ALL LWB REAR COIL SPRING MODELS

<b>FRONT</b>			
	PART NUMBER	QTY	UNIT PRICE \$
TORSION BARS: OVER 50 KGS	303010 <span style="float: right; border: 1px solid black; padding: 0 2px;">1</span>	1	
NITROCHARGER SPORT	60040	2	
NITROCHARGER	N18 <span style="float: right; border: 1px solid black; padding: 0 2px;">2</span>		

<b>REAR</b>		<b>ALL MODELS</b>	
<i>Estimated Lift: To 20mm</i>		PART NUMBER	QTY
	PART NUMBER	QTY	UNIT PRICE \$
<b>SPRING: MEDIUM LOAD</b>	<b>2910</b>	1	
NITROCHARGER SPORT	60041	2	
<b>SPRING: CONSTANT 200 KGS</b>	<b>2938</b>	1	
NITROCHARGER SPORT	60041	2	

**REMARKS:**

**1** Raise or lower front end clearance and trim vehicle by adjusting front torsion bars.

**Important:** A minimum of 60mm of droop must be maintained.

303010 suits all Models 91 To 94 with 1278mm length.

303011 suits all Models 95 To 00 with 1308mm length.

**2** When remaining stock of N18 is exhausted no further product will be available.

## PAJERO / MONTERO 1991 TO 1999 ALL SWB REAR COIL SPRING MODELS

FRONT	ALL MODELS		
	PART NUMBER	QTY	UNIT PRICE \$
TORSION BARS	-	1	
NITROCHARGER SPORT	60040	2	
NITROCHARGER	N18	2	

REAR	ALL MODELS		
<i>Estimated Lift: 20mm</i>	PART NUMBER	QTY	UNIT PRICE \$
<b>SPRING: MEDIUM LOAD</b>	2911	1	
NITROCHARGER SPORT	60041	2	

**REMARKS:**

- 1** Raise or lower front end clearance and trim vehicle by adjusting front torsion bars.
- Important:** A minimum of 60mm of droop must be maintained.
- 2** When remaining stock of N18 is exhausted no further product will be available.

## PAJERO / MONTERO TO 1991 REAR LEAF SPRING MODELS (Hyundai Galloper)

FRONT	4 CYLINDER ENGINE		
	PART NUMBER	QTY	UNIT PRICE \$
TORSION BARS: OVER 50 KGS	303009	1	
NITROCHARGER SPORT	60051	2	

REAR	ALL MODELS		
<i>Estimated Lift: 45 - 50mm</i>	PART NUMBER	QTY	UNIT PRICE \$
<b>SPRING: MEDIUM LOAD</b>	CS022R	2	
NITROCHARGER SPORT	60057	2	
<b>SPRING: CONSTANT 250 KGS</b>	CS023R	2	
NITROCHARGER SPORT	*60036 / 60057	2	
SPRING BUSH KIT	OMESB8	2	
U BOLTS	OMEU54	4	
GREASABLE SHACKLE KIT	OMEGS16	1	

**REMARKS:**

- 1** Raise or lower front end clearance and trim vehicle by adjusting front torsion bars.
- Important:** A minimum of 60mm of droop must be maintained.
- 303009 suits 82 To 90 4 cylinder Models - length 1278mm.
- 2** OMESB8 must be used with CS022R and CS023R springs.
- 3** OMEU54 only required on SWB Models.

## PAJERO CHALLENGER 1989 TO 1991 REAR COIL SPRING MODELS (Hyundai Galloper) (USA - MONTERO SPORT)

FRONT	ALL MODELS		
	PART NUMBER	QTY	UNIT PRICE \$
TORSION BARS: OVER 50 KGS	303010	1	
NITROCHARGER SPORT	60051	2	

REAR	ALL MODELS		
<i>Estimated Lift: 15mm</i>	PART NUMBER	QTY	UNIT PRICE \$
<b>SPRING: MEDIUM LOAD</b>	2910	1	
NITROCHARGER SPORT	60056	2	

**REMARKS:**

- 1** Raise or lower front end clearance and trim vehicle by adjusting front torsion bars.
- Important:** A minimum of 60mm of droop **must** be maintained.
- 303010 suits 88 To 90 V6 Models.

## TRITON / L200 MR & MQ ALL 4X4 MODELS

<b>FRONT</b> <i>Estimated Lift: 25mm</i>			
	PART NUMBER	QTY	UNIT PRICE \$
<b>SPRING: NO BAR</b>	<b>3102</b>	1	
STRUT - SPORT	90031 <span style="border: 1px solid black; padding: 0 2px;">1</span>	2	
<b>SPRING: BAR</b>	<b>3103</b>	1	
STRUT - SPORT	90033 <span style="border: 1px solid black; padding: 0 2px;">1</span>	2	
<b>SPRING: BAR / WINCH</b>	<b>3104</b>	1	
STRUT - SPORT	90033 <span style="border: 1px solid black; padding: 0 2px;">1</span>	2	
<b>SPRING: BAR / WINCH / ACCESSORIES</b>	<b>3105</b>	1	
STRUT - SPORT	90033 <span style="border: 1px solid black; padding: 0 2px;">1</span>	2	
UPPER STRUT BUSHES	OME3121 <span style="border: 1px solid black; padding: 0 2px;">1</span>	2	
STRUT TOP HAT KIT	OMETH001 <span style="border: 1px solid black; padding: 0 2px;">2</span>		

**REMARKS:**

- 1** No top mounting bushes supplied use OME3121. OE bushes may be re-used if in good condition. No dirt shield supplied, please re-use OE.
- 2** Strut Top Hat Kit OMETH001 may be required if original equipment is worn.
- 3** Shock absorber 60140 is suited for constant rear loading in excess of 800kgs.
- 4** OMESB113 suits OE Shackle and OME Greasable Shackle, OMEGS23.
- 5** EL44XL will give approximately 10mm extra lift or increase loading capacity at design height by approximately 200kgs.

<b>REAR</b> <i>Estimated Lift: 20mm</i>	<b>ALL MODELS</b>		
	PART NUMBER	QTY	UNIT PRICE \$
<b>SPRING: MEDIUM LOAD</b>	<b>EL117R</b>	2	
NITROCHARGER SPORT	60138		
<b>SPRING: CONSTANT 300 KGS</b>	<b>EL118R</b>	2	
NITROCHARGER SPORT	*60139 / 60138		
<b>SPRING: CONSTANT 600 KGS</b>	<b>EL119R</b>	2	
NITROCHARGER SPORT	*60140 / 60139 <span style="border: 1px solid black; padding: 0 2px;">3</span>		
GREASABLE SHACKLE KIT	OMEGS23	1	
GREASABLE PIN KIT	OMEGP13		
SPRING BUSH KIT	OMESB113 <span style="border: 1px solid black; padding: 0 2px;">4</span>	2	
U BOLT	OMEU53A	4	
EXTRA LEAF	EL44XL <span style="border: 1px solid black; padding: 0 2px;">5</span>	2	
TRIM PACKER	ELSK05		
EXTRA LEAF SPACER KIT	ELSK12	2	
CENTRE BOLT	REFER TO LEAF SPRING SERVICE PARTS page 174		

## TRITON / L200 ML & MN 2006 TO 2015 ALL MODELS

<b>FRONT</b> <i>Estimated Lift: 10mm</i>	DIESEL ENGINE			V6 PETROL ENGINE		
	PART NUMBER	QTY	UNIT PRICE \$	PART NUMBER	QTY	UNIT PRICE \$
<b>SPRING: NO BAR</b>	<b>2605</b>	1		<b>2611</b>	1	
STRUT - SPORT	90008	2		90008	2	
STRUT	N186S			N186S		
<b>SPRING: BAR ONLY</b>	<b>2606</b>	1		<b>2605</b>	1	
STRUT - SPORT	90008	2		90008	2	
STRUT	N186S			N186S		
<b>SPRING: BAR &amp; WINCH</b>	<b>3027</b>	1		<b>2606</b>	1	
STRUT - SPORT	90008	2		90008	2	
STRUT	N186S			N186S		
UPPER STRUT BUSHES	OME3121	2		OME3121	2	
STRUT TOP HAT KIT	OMETH001			OMETH001		

<b>REAR</b> <i>Estimated Lift: 20mm</i>	ALL MODELS		
	PART NUMBER	QTY	UNIT PRICE \$
<b>SPRING: MEDIUM LOAD</b>	<b>CS053R</b>	2	
NITROCHARGER SPORT	60036		
NITROCHARGER	N59		
<b>SPRING: CONSTANT 300 KGS</b>	<b>CS054R</b>	2	
NITROCHARGER SPORT	60036		
NITROCHARGER	N59		
<b>SPRING: CONSTANT 500 KGS</b>	<b>CS022R</b>	2	
NITROCHARGER SPORT	60036		
NITROCHARGER	N59		
<b>SPRING: CONSTANT 800 KGS</b>	<b>CS023R</b>	2	
NITROCHARGER SPORT	60036		
NITROCHARGER	N59		
U BOLTS	OMEU71	4	
	OMEU76		
SPRING BUSH KIT	OMESB38	2	
GREASABLE SHACKLE KIT	OMEKS16	1	
GREASABLE FIXED END PIN KIT	OMEGP12		
EXTRA LEAF	D32XL	2	
CENTRE BOLT	UCB5		

**REMARKS:**

- 1** OMEKS16 is a **mandatory** fitment to prevent springs from inverting.
- 2** OMESB38 is a **mandatory** fitment to OME springs only. Include tray weight in constant load calculation. Springs can **only** be installed with OME Bush Kit.
- 3** Reverse centre bolt to allow fitment.
- 4** No top mounting bushes supplied, use OME3121. OE bushes may be re-used if in good condition.
- 5** OMEU71 is to be used with CS053R and CS054R.
- 6** OMEU76 is to be used with CS022R and CS023R.
- 7** D32XL suitable for CS054R and CS022R.
- 8** Strut Top Hat Kit may be required if original equipment is worn.
- 9** When remaining stock of N59 and N186S is exhausted no further product will be available.

## TRITON / L200 MK 10/1996 TO 2006 ALL MODELS

FRONT	PETROL & DIESEL ENGINES		
	PART NUMBER	QTY	UNIT PRICE \$
TORSION BARS: OVER 50 KGS	303006 <span style="border: 1px solid black; padding: 0 2px;">1</span>	1	
NITROCHARGER SPORT	60040	2	
NITROCHARGER	N18 <span style="border: 1px solid black; padding: 0 2px;">4</span>		

REAR <i>Estimated Lift: To 40mm</i>	ALL MODELS		
	PART NUMBER	QTY	UNIT PRICE \$
<b>SPRING: MEDIUM LOAD</b>	<b>CS022R</b> <span style="border: 1px solid black; padding: 0 2px;">2</span> <span style="border: 1px solid black; padding: 0 2px;">3</span>	2	
NITROCHARGER SPORT	60050		
NITROCHARGER	N30E <span style="border: 1px solid black; padding: 0 2px;">4</span>		
<b>SPRING: CONSTANT 200 KGS</b>	<b>CS023R</b> <span style="border: 1px solid black; padding: 0 2px;">2</span> <span style="border: 1px solid black; padding: 0 2px;">3</span>	2	
NITROCHARGER SPORT	60050		
NITROCHARGER	N30E <span style="border: 1px solid black; padding: 0 2px;">4</span>		
U BOLTS	OMEU57	4	
SPRING BUSH KIT	OMESB38 <span style="border: 1px solid black; padding: 0 2px;">2</span>	2	
ANTI-INVERSION KIT	FK30	1	
GREASABLE SHACKLE KIT	OMEKS16 <span style="border: 1px solid black; padding: 0 2px;">3</span>		
GREASABLE FIXED END PIN KIT	OMEGP12		

**REMARKS:**

- 1** Raise or lower front end clearance and trim vehicle by adjusting front torsion bars. **Important:** A minimum of 60mm of droop **must** be maintained. Torsion bar 303006 suits 1993 On Models with 39 splines.
- 2** OMESB38 is a **mandatory** fitment to OME springs only. Include tray weight in constant load calculation. Springs can **only** be installed with OME bush kits.
- 3** FK30 Anti-Inversion Kit is a **mandatory** fitment, with or without Greasable Shackle Kit.
- 4** When remaining stock of N18 and N30E is exhausted no further product will be available.

## TRITON / L200 TO 1996 ALL MODELS

FRONT	PETROL & DIESEL ENGINES		
	PART NUMBER	QTY	UNIT PRICE \$
TORSION BARS: OVER 50 KGS	303006 <span style="border: 1px solid black; padding: 0 2px;">1</span>	1	
NITROCHARGER SPORT	60051	2	

REAR <i>Estimated Lift: To 40mm</i>	ALL MODELS		
	PART NUMBER	QTY	UNIT PRICE \$
<b>SPRING: MEDIUM LOAD</b>	<b>CS022R</b> <span style="border: 1px solid black; padding: 0 2px;">2</span> <span style="border: 1px solid black; padding: 0 2px;">3</span>	2	
NITROCHARGER SPORT	60058		
NITROCHARGER	N30E <span style="border: 1px solid black; padding: 0 2px;">4</span>		
<b>SPRING: CONSTANT 200 KGS</b>	<b>CS023R</b> <span style="border: 1px solid black; padding: 0 2px;">2</span> <span style="border: 1px solid black; padding: 0 2px;">3</span>	2	
NITROCHARGER SPORT	60058		
NITROCHARGER	N30E <span style="border: 1px solid black; padding: 0 2px;">4</span>		
U BOLTS	OMEU57	4	
SPRING BUSH KIT	OMESB38 <span style="border: 1px solid black; padding: 0 2px;">2</span>	2	
ANTI-INVERSION KIT	FK30	1	
GREASABLE SHACKLE KIT	OMEKS16 <span style="border: 1px solid black; padding: 0 2px;">3</span>		

**REMARKS:**

- 1** Raise or lower front end clearance and trim vehicle by adjusting front torsion bars. **Important:** A minimum of 60mm of droop **must** be maintained. Torsion bar 303006 suits 1993 On Models with 39 splines.
- 2** OMESB38 is a **mandatory** fitment to OME springs only. Include tray weight in constant load calculation. Springs can **only** be installed with OME bush kits.
- 3** FK30 Anti-Inversion Kit is a mandatory fitment, with or without Greasable Shackle Kit.
- 4** When remaining stock of N30E is exhausted no further product will be available.



## CHALLENGER / MONTERO SPORT KH 2010 TO 2015

<b>FRONT</b> <i>Estimated Lift: 20mm</i>	V6 PETROL ENGINE			DIESEL ENGINE		
	PART NUMBER	QTY	UNIT PRICE \$	PART NUMBER	QTY	UNIT PRICE \$
<b>SPRING: NO BAR</b>	<b>2611</b>	1		<b>2605</b>	1	
STRUT - SPORT	<b>90008</b>	2		<b>90008</b>	2	
STRUT	N186S			N186S		
<b>SPRING: BAR ONLY</b>	<b>2605</b>	1		<b>2606</b>	1	
STRUT - SPORT	<b>90008</b>	2		<b>90008</b>	2	
STRUT	N186S			N186S		
<b>SPRING: BAR &amp; WINCH</b>	<b>2606</b>	1		<b>3132</b>	1	
STRUT - SPORT	<b>90008</b>	2		<b>90008</b>	2	
STRUT	N186S			N186S		
UPPER STRUT BUSHES	OME3121	2		OME3121	2	
STRUT TOP HAT KIT	OMETH001			OMETH001		

<b>REAR</b> <i>Estimated Lift: 35mm</i>	ALL MODELS		
	PART NUMBER	QTY	UNIT PRICE \$
<b>SPRING: MEDIUM LOAD</b>	<b>2910</b>	1	
NITROCHARGER SPORT	60076	2	
<b>SPRING: CONSTANT 200 KGS</b>	<b>2938</b>	1	
NITROCHARGER SPORT	*60075 / 60076	2	
<b>SPRING: CONSTANT 400 KGS</b>	<b>2838</b>	1	
NITROCHARGER SPORT	60075	2	

**REMARKS:**

- 1** No top mounting bushes supplied, use OME3121. OE bushes may be re-used if in good condition.
- 2** Strut Top Hat Kit may be required if original equipment is worn.
- 3** When remaining stock of N186S is exhausted no further product will be available.

## CHALLENGER / MONTERO SPORT 2000 TO 2008 LWB (COIL REAR MODELS)

<b>FRONT</b>	V6 PETROL ENGINE		
	PART NUMBER	QTY	UNIT PRICE \$
TORSION BARS: OVER 50 KGS	303011	1	
NITROCHARGER SPORT	60040	2	

<b>REAR</b> <i>Estimated Lift: 40mm</i> <span style="border: 1px solid black; padding: 1px;">2</span>	ALL MODELS		
	PART NUMBER	QTY	UNIT PRICE \$
<b>SPRING: MEDIUM LOAD</b>	<b>2911</b>	1	
NITROCHARGER SPORT	60059	2	
<b>SPRING: CONSTANT 200 KGS</b>	<b>2910</b>	1	
NITROCHARGER SPORT	60059	2	

**REMARKS:**

- 1** Raise or lower front end clearance and trim vehicle by adjusting front torsion bars. **Important:** A minimum of 60mm of droop **must** be maintained.

## CHALLENGER V6 / MONTERO SPORT WAGON PA 1998 TO 2000 (REAR LEAF SPRING MODELS)

<b>FRONT</b>	<b>V6 PETROL ENGINE</b>		
	PART NUMBER	QTY	UNIT PRICE \$
TORSION BARS: OVER 50 KGS	303011 <span style="border: 1px solid black; padding: 0 2px;">1</span>	1	
NITROCHARGER SPORT	<b>60040</b>	2	

<b>REAR</b> <i>Estimated Lift: 25mm</i>	<b>ALL MODELS</b>		
	PART NUMBER	QTY	UNIT PRICE \$
<b>SPRING: MEDIUM LOAD</b>	<b>CS040R</b> <span style="border: 1px solid black; padding: 0 2px;">2</span> <span style="border: 1px solid black; padding: 0 2px;">3</span>	2	
NITROCHARGER SPORT	60057		
<b>SPRING: CONSTANT 200 KGS</b>	<b>CS041R</b> <span style="border: 1px solid black; padding: 0 2px;">2</span> <span style="border: 1px solid black; padding: 0 2px;">3</span>	2	
NITROCHARGER SPORT	*60036 / 60057		
SPRING BUSH KIT	OMESB83 <span style="border: 1px solid black; padding: 0 2px;">3</span>	2	
GREASABLE SHACKLE KIT	OMEGS16 <span style="border: 1px solid black; padding: 0 2px;">2</span>	1	
EXTRA LEAF	D7XL	2	
CENTRE BOLT	UCB5		

**REMARKS:**

- 1** Raise or lower front end clearance and trim vehicle by adjusting front torsion bars.  
**Important:** A minimum of 60mm of droop **must** be maintained.  
303011 suits all Models with bar - length 1308mm.
- 2** OMEGS16 is a **mandatory** fitment to prevent springs from inverting.
- 3** OMESB83 is a **mandatory** fitment to OME springs only. Springs can **only** be installed with OME Bush Kit. The Centre Bolt on CS040R **must** be reversed prior to fitment.

## PATROL Y62 2010 ON (NON HBMC MODELS)

FRONT <i>Estimated Lift: 40mm</i>	V8 PETROL ENGINE		
	PART NUMBER	QTY	UNIT PRICE \$
<b>SPRING: No Bar</b>	<b>2977</b>	1	
STRUT - SPORT	90014 <span style="border: 1px solid black; padding: 0 2px;">2</span>	2	
<b>SPRING: Bar</b>	<b>2978</b>	1	
STRUT - SPORT	*90015 / 90014 <span style="border: 1px solid black; padding: 0 2px;">2</span>	2	
<b>SPRING: Bar / Winch</b>	<b>2979</b>	1	
STRUT - SPORT	90015 <span style="border: 1px solid black; padding: 0 2px;">2</span>	2	
<b>BP-51 SELECTION</b>			
COIL OVER PATROL Y62 FRONT LH	BP5190008L	1	
COIL OVER PATROL Y62 FRONT RH	BP5190008R		
BP KIT PATROL Y62 FRONT	VM80010020		
REAR <i>Estimated Lift: 50mm</i>	ALL MODELS		
	PART NUMBER	QTY	UNIT PRICE \$
<b>SPRING: MEDIUM LOAD</b>	<b>2986</b> <span style="border: 1px solid black; padding: 0 2px;">1</span>	1	
NITROCHARGER SPORT	60084	2	
<b>SPRING: CONSTANT 200 KGS</b>	<b>2987</b> <span style="border: 1px solid black; padding: 0 2px;">1</span>	1	
NITROCHARGER SPORT	60084	2	
<b>SPRING: CONSTANT 400 KGS</b>	<b>2988</b> <span style="border: 1px solid black; padding: 0 2px;">1</span>	1	
NITROCHARGER SPORT	60084	2	
<b>BP-51 SELECTION</b>			
SHOCK PATROL Y62 REAR	BP5160058	2	
BP KIT PATROL Y62 REAR	VM80010021	1	

ARMOURD APPLICATION - 4.5T  
GVM is available refer page 22 for details

**REMARKS:**

- 1 It is recommended that a 4 wheel, wheel alignment is carried out.
- 2 No top mounting bushes supplied, re-use OE bushes.

# OFF ROAD USE ONLY - NISSAN

## PATROL Y60 & Y61 LWB

FRONT	PART NUMBER	QTY	UNIT PRICE \$	COMMENTS
<b>COILS</b>				
75mm LIFT - SPRING TO 50KG	2412	1		250 lbf/in
75mm LIFT - SPRING 51 TO 110KG	3033			320 lbf/in
100mm LIFT - SPRING TO 50KG	2413			250 lbf/in
100mm LIFT - SPRING 51 TO 110KG	3036			320 lbf/in
125mm LIFT - SPRING TO 50KG	2414			250 lbf/in
<b>SHOCKS</b>				
NITROCHARGER SPORT	60013L	2		Suits 100mm coils
<b>BP-51 SELECTION</b>				
SHOCK: PATROL GU FRONT LONG	BP5160040	2		Suits 100mm coils
BP KIT: GU FRONT	VM80010022	1		<b>United Arab Emirates ONLY</b>
	VM80010032			
<b>STEERING DAMPER</b>				
STABILISER	OMESD34	1		GQ pre 8/89 models
	OMESD36			GQ 8/89 on models
	OMESD11			GU pre 01/00 models
	OMESD01			GU 01/00 on models
<b>COMPONENTS</b>				
ADJUSTABLE PANHARD ROD	PANR004	1		Pre 01/00 wagon CC models, RHD only
ADJUSTABLE PANHARD ROD WITH SPH BEARING	PANR028X			01/00 on models not CC, RHD only
SPHERICAL BEARING TO SUIT PANHARD	OME3098			Suits OE and Adjustable 01/00 on
COIL SPRING TRIM PACKER	OMEGQPF05			5mm
COIL SPRING TRIM PACKER	OMEGQPF10			10mm
GEARBOX PACKER KIT	GQGK01	1		GQ only
REAR	PART NUMBER	QTY	UNIT PRICE \$	COMMENTS
<b>COILS</b>				
75mm LIFT - MEDIUM	2415	1		290 lbf/in
75mm LIFT - CONSTANT 200KG	3034			300 lbf/in
75mm LIFT - CONSTANT 400KG	3035			470 lbf/in, coil tower reinforcing recommended
100mm LIFT - MEDIUM	2416			290 lbf/in
100mm LIFT - CONSTANT 200KG	3037			300 lbf/in
100mm LIFT - CONSTANT 400KG	3038			470 lbf/in, coil tower reinforcing recommended
125mm LIFT - MEDIUM	2417			290 lbf/in
<b>SHOCKS</b>				
NITROCHARGER SPORT	60015L	2		Suits 100mm coils
<b>BP-51 SELECTION</b>				
SHOCK: PATROL GU REAR LONG	BP5160041	2		Suits 100mm coils
BP KIT: GU REAR	VM80010041	1		
<b>COMPONENTS</b>				
ADJUSTABLE PANHARD ROD	PANR005	1		Pre 01/00 wagon CC models, RHD & LHD. Does not suit H260 Differential
ADJUSTABLE PANHARD ROD WITH SPH BEARING	PANR029X			01/00 on models not CC, RHD & LHD. Does not suit H260 Differential
SPHERICAL BEARING TO SUIT PANHARD	OME3098			Suits OE and Adjustable 01/00 on
HEAVY DUTY LOWER TRAILING ARMS	LTA3044			Standard Length
ADJUSTABLE UPPER TRAILING ARMS	UTAA106			50mm on car adjustable
TRIM PACKER	OMEGQPR05			5mm
TRIM PACKER	OMEGQPR10			10mm

**Notification: Modifications for off - road use only**

The products listed in this selection chart are deemed by Old Man Emu to be suitable for off road use and their legality for public road use should be certified by the relevant Registration Authority. An Off Road Use Only Disclaimer must be signed by the customer.

Modifications and replacement of other associated components will be required.

**Lift increase is approximate and will depend on vehicle weights.**

**Warranty Implications**

The fitter selling these shocks **must** inform the customer there is **no warranty** due to the severe nature of competition racing. The fitter must also note on the customer's receipt "racing application no warranty applies". This will prevent any future misunderstanding.

## PATROL GU Y61 ALL LWB MODELS

FRONT <i>Estimated Lift: 50mm</i>	PETROL 4.5, 4.8 & DIESEL 4.2			DIESEL 2.8 & 3.0 TURBO		
	PART NUMBER	QTY	UNIT PRICE \$	PART NUMBER	QTY	UNIT PRICE \$
<b>SPRING: TO 50 KGS</b>	<b>2970</b>	1		<b>2973</b>	1	
NITROCHARGER SPORT	61012	2		61012	2	
NITROCHARGER	N19 <span style="border: 1px solid black; padding: 0 2px;">9</span>	2		N19 <span style="border: 1px solid black; padding: 0 2px;">9</span>	2	
<b>SPRING: 51 TO 110 KGS</b>	<b>2971</b>	1		<b>2970</b>	1	
NITROCHARGER SPORT	60013	2		60013	2	
NITROCHARGER	N19 <span style="border: 1px solid black; padding: 0 2px;">9</span>	2		N19 <span style="border: 1px solid black; padding: 0 2px;">9</span>	2	
<b>SPRING: 50 KGS: 20mm LIFT</b>	<b>2972</b>	1		<b>2974</b>	1	
NITROCHARGER SPORT	61012	2		61012	2	
NITROCHARGER	N19 <span style="border: 1px solid black; padding: 0 2px;">9</span>	2		N19 <span style="border: 1px solid black; padding: 0 2px;">9</span>	2	
<b>BP-51 SELECTION</b>						
SHOCK PATROL GU FRONT	BP5160038	2		BP5160038	2	
BP KIT PATROL GU FRONT	VM80010022	1		VM80010022	1	
	VM80010032 <span style="border: 1px solid black; padding: 0 2px;">8</span>	1		VM80010032 <span style="border: 1px solid black; padding: 0 2px;">8</span>	1	
CASTER KIT	OMECA77B <span style="border: 1px solid black; padding: 0 2px;">2</span>	1		OMECA77B <span style="border: 1px solid black; padding: 0 2px;">2</span>	1	
STEERING DAMPER	OMESD11 <span style="border: 1px solid black; padding: 0 2px;">5</span>	1		OMESD11 <span style="border: 1px solid black; padding: 0 2px;">5</span>	1	
	OMESD01	1		OMESD01	1	
TRIM PACKER	OMEGQPF05 <span style="border: 1px solid black; padding: 0 2px;">1</span>	1		OMEGQPF05 <span style="border: 1px solid black; padding: 0 2px;">1</span>	1	
	OMEGQPF10	1		OMEGQPF10	1	
OIL PAN PACKER KIT	FK25 <span style="border: 1px solid black; padding: 0 2px;">2</span>	1		FK25 <span style="border: 1px solid black; padding: 0 2px;">2</span>	1	
<b>REAR</b> <i>Estimated Lift: 50mm</i>						
	ALL MODELS					
	PART NUMBER	QTY	UNIT PRICE \$			
<b>SPRING: MEDIUM LOAD</b>	<b>2980</b> <span style="border: 1px solid black; padding: 0 2px;">4</span>	1				
NITROCHARGER SPORT	61014	2				
<b>SPRING: CONSTANT 200 KGS</b>	<b>2981</b> <span style="border: 1px solid black; padding: 0 2px;">4</span>	1				
NITROCHARGER SPORT	60015	2				
<b>SPRING: CONSTANT 400 KGS</b>	<b>2985</b> <span style="border: 1px solid black; padding: 0 2px;">6</span>	1				
NITROCHARGER SPORT	60015	2				
<b>SPRING: MEDIUM 30mm LIFT</b>	<b>2982</b> <span style="border: 1px solid black; padding: 0 2px;">4</span>	1				
NITROCHARGER SPORT	61014	2				
<b>BP-51 SELECTION</b>						
SHOCK PATROL GU REAR	BP5160039 <span style="border: 1px solid black; padding: 0 2px;">7</span>	2				
BP KIT PATROL GU REAR	VM80010041	1				
TRIM PACKER	Do not use Packers					
SWAY BAR EXT KIT	FK18 <span style="border: 1px solid black; padding: 0 2px;">3</span>	1				
	FK24	1				

- 5** OMESD11 steering damper fits all Models To 1/2000. OMESD01 fits 2/2000 On Models. To verify correct fitment for individual vehicles compare OE mounts with Steering Stabilisers Specifications on page 205.
- 6** It is highly recommended to reinforce coil towers if fitting heavy rear springs.
- 7** Fitment to vehicle with original exhaust, if larger exhaust fitted some modifications to exhaust may be required.
- 8** United Arab Emirates ONLY.
- 9** When remaining stock of N19 is exhausted no further product will be available.

**REMARKS:**

- 1** Coil trim packers may be required to trim vehicles. Packers must be installed to the bottom of front coils.
- 2** OMECA77B Caster Kit will increase caster angle by 2°. Check manufacturer's specifications to determine if OMECA77B kit is required. FK25 may be required for some European Models when Caster Kit is fitted.
- 3** FK18: Rear Sway Bar Extension Bracket is **mandatory** fitment to Models with fixed sway bar to prevent damage to sway bar when suspension is at full extension. FK24 suits Models with detachable sway bar.
- 4** **Special Note:** Due to limited clearance between tailshaft and chassis cross member, OME does not recommend fitment of gear box packers.

## PATROL GU Y61 SWB MODELS

<b>FRONT</b> <i>Estimated Lift: 40mm</i>	<b>2.8 &amp; 3.0 TURBO DIESEL</b>		
	PART NUMBER	QTY	UNIT PRICE \$
<b>SPRING: TO 50 KGS</b>	<b>2974E</b>	1	
NITROCHARGER SPORT	<b>61012</b>	2	
NITROCHARGER	N19 <span style="border: 1px solid black; padding: 0 2px;">8</span>		
<b>SPRING: 51 TO 110 KGS</b>	<b>2972E</b>	1	
NITROCHARGER SPORT	<b>60013</b>	2	
NITROCHARGER	N19 <span style="border: 1px solid black; padding: 0 2px;">8</span>		
<b>BP-51 SELECTION</b>			
SHOCK PATROL GU FRONT	<b>BP5160038</b>	2	
BP KIT PATROL GU FRONT	<b>VM80010022</b>	1	
	<b>VM80010032</b> <span style="border: 1px solid black; padding: 0 2px;">7</span>		
TRIM PACKER	OMEGQPF05		
	OMEGQPF10		
STEERING DAMPER	OMESD01 <span style="border: 1px solid black; padding: 0 2px;">1</span>	1	
	OMESD11		
CASTER KIT	OMECA77B <span style="border: 1px solid black; padding: 0 2px;">2</span>		
OIL PAN PACKER KIT	FK25 <span style="border: 1px solid black; padding: 0 2px;">3</span>		
<b>REAR</b> <i>Estimated Lift: 40mm</i>	<b>ALL MODELS</b>		
	PART NUMBER	QTY	UNIT PRICE \$
<b>SPRING: LIGHT LOAD</b>	<b>2GQ02A</b>	1	
NITROCHARGER SPORT	<b>61014</b>	2	
<b>SPRING: MEDIUM LOAD</b>	<b>2GQ02B</b>	1	
NITROCHARGER SPORT	<b>61014</b>	2	
<b>SPRING: CONSTANT 200 KGS</b>	<b>2GQ02D</b>	1	
NITROCHARGER SPORT	<b>60015</b>	2	
<b>BP-51 SELECTION</b>			
SHOCK PATROL GU REAR	<b>BP5160039</b> <span style="border: 1px solid black; padding: 0 2px;">6</span>	2	
BP KIT PATROL GU REAR	<b>VM80010041</b>	1	
SWAY BAR EXTENSION KIT	FK18 <span style="border: 1px solid black; padding: 0 2px;">4</span>	1	
	FK24		
GEAR BOX PACKER KIT	GQGK02 <span style="border: 1px solid black; padding: 0 2px;">3</span> <span style="border: 1px solid black; padding: 0 2px;">5</span>		
TRIM PACKER	OMEGQPR05		
	OMEGQPR10		

**7**

United Arab Emirates ONLY.

**8**

When remaining stock of N19 is exhausted no further product will be available.

**REMARKS:**

- 1** OMESD01 fits 2/2000 On Models.  
OMESD11 fits all Models To 1/2000.
- 2** OMECA77B Caster Kit will increase caster angle by 2°. Check manufacturer's specifications to determine if OMECA77B kit is required.
- 3** FK25 x 2 Oil Pan Kits **must** be installed when OMECA77B Caster Kit or GQGK02 Gear Box Packer Kit are fitted.
- 4** FK18: Rear Sway Bar Extension Bracket is **mandatory** fitment to Models with fixed sway bar to prevent damage to sway bar when suspension is at full extension. FK24 suits Models with detachable sway bar.
- 5** GQGK02 Gear Box Packer Kit is designed to space down the gear box cross member from the chassis to reduce tail shaft flange angle thereby reducing driveline vibration. In some cases two (2) kits may be required.
- 6** Fitment to vehicle with original exhaust, if larger exhaust fitted some modifications to exhaust may be required.

## PATROL GU Y61 ALL COIL CAB CHASSIS MODELS

<b>FRONT</b> <i>Estimated Lift: 50mm</i>	ALL 4.2 DIESEL ENGINES			3.0 TURBO DIESEL ENGINE		
	PART NUMBER	QTY	UNIT PRICE \$	PART NUMBER	QTY	UNIT PRICE \$
<b>SPRING: TO 50 KGS</b>	<b>2970</b>	1		<b>2973</b>	1	
NITROCHARGER SPORT	<b>61012</b>	2		<b>61012</b>	2	
NITROCHARGER	N19 <span style="border: 1px solid black; padding: 0 2px;">6</span>					
<b>SPRING: 51 TO 110 KGS</b>	<b>2971</b>	1		<b>2970</b>	1	
NITROCHARGER SPORT	<b>60013</b>	2		<b>60013</b>	2	
NITROCHARGER	N19 <span style="border: 1px solid black; padding: 0 2px;">6</span>					
<b>BP-51 SELECTION</b>				<b>BP-51 SELECTION</b>		
SHOCK PATROL GU FRONT	<b>BP5160038</b>	2		<b>BP5160038</b>	2	
BP KIT PATROL GU FRONT	<b>VM80010022</b>	1		<b>VM80010022</b>	1	
	<b>VM80010032</b> <span style="border: 1px solid black; padding: 0 2px;">5</span>					
STEERING DAMPER	OMESD11	1		OMESD11	1	
CASTER KIT	OMECA77B <span style="border: 1px solid black; padding: 0 2px;">1</span>					
TRIM PACKER	OMEGQPF05 <span style="border: 1px solid black; padding: 0 2px;">2</span>					
	OMEGQPF10 <span style="border: 1px solid black; padding: 0 2px;">2</span>					

<b>REAR</b> <i>Estimated Lift: 50mm</i>	ALL MODELS		
	PART NUMBER	QTY	UNIT PRICE \$
<b>SPRING: MEDIUM LOAD</b>	<b>2983</b>	1	
NITROCHARGER SPORT	<b>61014</b>	2	
<b>SPRING: CONSTANT 200 KGS</b>	<b>2984</b>	1	
NITROCHARGER SPORT	<b>60015</b>	2	
<b>SPRING: CONSTANT 400 KGS</b>	<b>2985</b>	1	
NITROCHARGER SPORT	<b>60015</b>	2	
<b>BP-51 SELECTION</b>			
SHOCK PATROL GU REAR	<b>BP5160039</b> <span style="border: 1px solid black; padding: 0 2px;">4</span>	2	
BP KIT PATROL GU REAR	<b>VM80010041</b>	1	
SWAY BAR EXTENSION KIT	FK18 <span style="border: 1px solid black; padding: 0 2px;">3</span>	1	
TRIM PACKER	Do not use Packers		

**REMARKS:**

- 1 OMECA77B Caster Kit will increase caster angle by 2°. Check manufacturer's specifications to determine if OMECA77B kit is required.
- 2 Coil trim packers may be required to trim vehicle to a maximum of 15mm. Packers must be installed to the bottom on front coil.
- 3 FK18 Rear Sway Bar Extension Bracket is **mandatory** fitment to prevent damage to sway bar when suspension is at full extension.
- 4 Fitment to vehicle with original exhaust, if larger exhaust fitted some modifications to exhaust may be required.
- 5 United Arab Emirates ONLY.
- 6 When remaining stock of N19 is exhausted no further product will be available.

## PATROL GU Y61 CAB CHASSIS COIL: FRONT / LEAF: REAR

<b>FRONT</b> <i>Estimated Lift: 50mm</i>	ALL 4.2 DIESEL ENGINES			3.0 TURBO DIESEL ENGINE		
	PART NUMBER	QTY	UNIT PRICE \$	PART NUMBER	QTY	UNIT PRICE \$
<b>SPRING: TO 50 KGS</b>	<b>2970</b>	1		<b>2973</b>	1	
NITROCHARGER SPORT	<b>60055</b>	2		<b>60055</b>	2	
NITROCHARGER	N19 <span style="border: 1px solid black; padding: 0 2px;">5</span>					
<b>SPRING: 51 TO 110 KGS</b>	<b>2971</b>	1		<b>2970</b>	1	
NITROCHARGER SPORT	<b>60055</b>	2		<b>60055</b>	2	
NITROCHARGER	N19 <span style="border: 1px solid black; padding: 0 2px;">5</span>					
STEERING DAMPER	OMESD11	1		OMESD11	1	
CASTER KIT	OMECA77B <span style="border: 1px solid black; padding: 0 2px;">2</span>					
TRIM PACKER	OMEGQPF05 <span style="border: 1px solid black; padding: 0 2px;">1</span>					
	OMEGQPF10 <span style="border: 1px solid black; padding: 0 2px;">1</span>					

<b>REAR</b> <i>Estimated Lift: 50mm</i>	ALL MODELS		
	PART NUMBER	QTY	UNIT PRICE \$
<b>SPRING: MEDIUM LOAD</b>	<b>CS016RA/B</b> <span style="border: 1px solid black; padding: 0 2px;">3</span> <span style="border: 1px solid black; padding: 0 2px;">4</span>	1 + 1	
NITROCHARGER SPORT	<b>60054</b>	2	
NITROCHARGER	N25 <span style="border: 1px solid black; padding: 0 2px;">5</span>		
<b>SPRING: CONSTANT 400 KGS</b>	<b>CS016RA/B</b> <span style="border: 1px solid black; padding: 0 2px;">3</span> <span style="border: 1px solid black; padding: 0 2px;">4</span>	1 + 1	
NITROCHARGER SPORT	<b>60054</b>	2	
NITROCHARGER	N25 <span style="border: 1px solid black; padding: 0 2px;">5</span>		
SPRING BUSH KIT	OMESB64	2	
ANTI INVERSION KIT	FK08 <span style="border: 1px solid black; padding: 0 2px;">3</span>	1	
GREASABLE SHACKLE KIT	OMEGS1		
GREASABLE SHACKLE FIXED END PIN KIT	OMEGP2		
U BOLT	OMEU64		
BRAKE PROPORTIONING BRACKET	FK78	1	
EXTRA LEAF	D15XL	2	
CENTRE BOLT	UCB11		

**REMARKS:**

- 1 Coil trim packers may be required to trim vehicle to a maximum of 15mm per coil. Packers must be installed to the bottom on front coils.
- 2 OMECA77B Caster Kit will increase caster angle by 2°. Check manufacturer's specifications to determine if OMECA77B kit is required.
- 3 FK08 Anti Inversion Kit is **mandatory** fitment if greasable shackles are not fitted. Refer OME Technical & Fitting Manual.
- 4 For improved ride quality on vehicles carrying medium loads remove the 3rd leaf. Include tray weight in constant load calculation.
- 5 When remaining stock of N19 and N25 is exhausted no further product will be available.



## PATROL GQ Y60 ALL SWB & LWB MODELS

<b>FRONT</b> <i>Estimated Lift: 40 - 50mm</i>	4.2 ENGINE			2.8 & 3.0 ENGINES		
	PART NUMBER	QTY	UNIT PRICE \$	PART NUMBER	QTY	UNIT PRICE \$
<b>SPRING: TO 50 KGS</b>	<b>2975</b>	1		<b>2974</b>	1	
NITROCHARGER SPORT	<b>61012</b>	2		<b>61012</b>	2	
NITROCHARGER	N23F <span style="border: 1px solid black; padding: 0 2px;">6</span>			N23F <span style="border: 1px solid black; padding: 0 2px;">6</span>		
<b>SPRING: 51 TO 110 KGS</b>	<b>2976</b>	1		<b>2972</b>	1	
NITROCHARGER SPORT	<b>60013</b>	2		<b>60013</b>	2	
<b>SPRING: 50 KGS: 30mm LIFT</b>	<b>2974</b>	1		<b>NOT APPLICABLE</b>		
NITROCHARGER SPORT	<b>61012</b>	2		-		
NITROCHARGER	N23F <span style="border: 1px solid black; padding: 0 2px;">6</span>			-		
<b>BP-51 SELECTION</b>				<b>BP-51 SELECTION</b>		
SHOCK PATROL FRONT	<b>BP5160038</b>	2		<b>BP5160038</b>	2	
BP KIT PATROL FRONT	<b>VM80010022</b>	1		<b>VM80010022</b>	1	
TRIM PACKER	OMEGQPF05 <span style="border: 1px solid black; padding: 0 2px;">1</span>	1		OMEGQPF05 <span style="border: 1px solid black; padding: 0 2px;">1</span>	1	
	OMEGQPF10			OMEGQPF10 <span style="border: 1px solid black; padding: 0 2px;">1</span>		
STEERING DAMPER	OMESD36 <span style="border: 1px solid black; padding: 0 2px;">5</span>	1		OMESD36 <span style="border: 1px solid black; padding: 0 2px;">5</span>	1	
	OMESD34			OMESD34 <span style="border: 1px solid black; padding: 0 2px;">5</span>		
CASTER KIT	OMECA77B <span style="border: 1px solid black; padding: 0 2px;">2</span>			OMECA77B <span style="border: 1px solid black; padding: 0 2px;">2</span>		

<b>REAR</b> <i>Estimated Lift: 30 - 50mm</i>	LWB MODEL			SWB MODEL		
	PART NUMBER	QTY	UNIT PRICE \$	PART NUMBER	QTY	UNIT PRICE \$
<b>SPRING: LIGHT LOAD</b>	<b>2GQ02C</b>	1		<b>2GQ02CM</b>	1	
NITROCHARGER SPORT	<b>61014</b>	2		<b>61014</b>	2	
<b>SPRING: MEDIUM LOAD</b>	<b>2GQ02AM</b>	1		<b>2GQ02C</b>	1	
NITROCHARGER SPORT	<b>61014</b>	2		<b>61014</b>	2	
<b>SPRING: CONSTANT 200 KGS</b>	<b>2GQ02J</b>	1		<b>2GQ02G</b>	1	
NITROCHARGER SPORT	<b>60015</b>	2		<b>60015</b>	2	
<b>LPG CONVERSION</b>				<b>LPG CONVERSION</b>		
<b>SPRING: MEDIUM LOAD</b>	<b>2GQ02LP</b> <span style="border: 1px solid black; padding: 0 2px;">4</span>	1		<b>2GQ02LP</b> <span style="border: 1px solid black; padding: 0 2px;">4</span>	1	
NITROCHARGER SPORT	<b>61014</b>	2		<b>61014</b>	2	
<b>BP-51 SELECTION</b>				<b>BP-51 SELECTION</b>		
SHOCK PATROL REAR	<b>BP5160039</b> <span style="border: 1px solid black; padding: 0 2px;">7</span>	2		<b>BP5160039</b> <span style="border: 1px solid black; padding: 0 2px;">7</span>	2	
BP KIT PATROL REAR	<b>VM80010041</b>	1		<b>VM80010041</b>	1	
TRIM PACKER	Do not use Packers			Do not use Packers		
GEAR BOX PACKER KIT	GQGK01 <span style="border: 1px solid black; padding: 0 2px;">3</span>	1		GQGK01 <span style="border: 1px solid black; padding: 0 2px;">3</span>	1	

**REMARKS:**

- 1 Coil trim packers may be required to trim vehicle to a maximum of 15mm per coil. Packers must be installed to the top on rear coils and to the bottom on front coils.
- 2 OMECA77B Caster Kit will increase caster angle by 2°. Check manufacturer's specifications to determine if OMECA77B kit is required.
- 3 Gearbox Packer Kit is designed to space down the gearbox cross member from the chassis to reduce tail shaft flange angle thereby reducing driveline vibration.
- 4 LPG conversion equated to 100-125 litre rear mounted gas tank and a 70-75 litre mid mounted auxiliary petrol tank.
- 5 OMESD36 fits 8/89 On Models. OMESD34 fits pre 8/89 Models.
- 6 When remaining stock of N23F is exhausted no further product will be available.
- 7 Fitment to vehicle with original exhaust, if larger exhaust fitted some modifications to exhaust may be required.

## PATROL GQ Y60 CAB CHASSIS COIL SPRING MODELS

<b>FRONT</b> <i>Estimated Lift: 50mm</i>	4.2 ENGINES		
	PART NUMBER	QTY	UNIT PRICE \$
<b>SPRING: TO 50 KGS</b>	<b>2975</b>	1	
NITROCHARGER SPORT	61012	2	
NITROCHARGER	N23F <span style="border: 1px solid black; padding: 0 2px;">5</span>		
<b>SPRING: 51 TO 110 KGS</b>	<b>2976</b>	1	
NITROCHARGER SPORT	60013	2	
<b>BP-51 SELECTION</b>			
SHOCK PATROL FRONT	BP5160038	2	
BP KIT PATROL FRONT	VM80010022	1	
TRIM PACKER	OMEGQPF05 <span style="border: 1px solid black; padding: 0 2px;">1</span>		
	OMEGQPF10		
STEERING DAMPER	OMESD36	1	
CASTER KIT	OMECA77B <span style="border: 1px solid black; padding: 0 2px;">2</span>		

<b>REAR</b> <i>Estimated Lift: 40 - 50mm</i>	ALL MODELS		
	PART NUMBER	QTY	UNIT PRICE \$
<b>SPRING: MEDIUM LOAD 40mm LIFT</b>	<b>2GQ02C</b> <span style="border: 1px solid black; padding: 0 2px;">3</span>	1	
NITROCHARGER SPORT	61014	2	
<b>SPRING: CONSTANT 200 KGS</b>	<b>2GQ02J</b> <span style="border: 1px solid black; padding: 0 2px;">3</span>	1	
NITROCHARGER SPORT	60015	2	
<b>BP-51 SELECTION</b>			
SHOCK PATROL REAR	BP5160039 <span style="border: 1px solid black; padding: 0 2px;">6</span>	2	
BP KIT PATROL REAR	VM80010041	1	
TRIM PACKER	OMEGQPR05 <span style="border: 1px solid black; padding: 0 2px;">1</span>		
	OMEGQPR10		
GEAR BOX PACKER KIT	GQGK01 <span style="border: 1px solid black; padding: 0 2px;">4</span>	1	

**REMARKS:**

- 1 Coil trim packers may be required to trim vehicle to a maximum of 15mm per coil. Packers **must** be installed to the top on rear coils and to the bottom on front coils.
- 2 OMECA77B Caster Kit will increase caster angle by 2°. Check manufacturer's specifications to determine if OMECA77B kit is required.
- 3 Include tray weight in constant load calculation.
- 4 Gearbox Packer Kit is designed to space down the gearbox cross member from the chassis to reduce tail shaft flange angle thereby reducing driveline vibration.
- 5 When remaining stock of N23F is exhausted no further product will be available.
- 6 Fitment to vehicle with original exhaust, if larger exhaust fitted some modifications to exhaust may be required.

## PATROL GQ Y60 UTE & CAB CHASSIS LEAF SPRING MODELS

<b>FRONT</b> <i>Estimated Lift: 30mm</i>	<b>4.2 ENGINE</b>		
	PART NUMBER	QTY	UNIT PRICE \$
<b>SPRING: TO 50 KGS</b>	<b>CS003F</b> <span style="border: 1px solid black; padding: 0 2px;">1</span>	2	
NITROCHARGER SPORT	60068		
<b>SPRING: 51 TO 110 KGS</b>	<b>CS004F</b> <span style="border: 1px solid black; padding: 0 2px;">1</span>	2	
NITROCHARGER SPORT	60068		
SPRING BUSH KIT	OMESB1	2	
GREASABLE SHACKLE KIT	OMEGS2	1	
GREASABLE SHACKLE FIXED END PIN KIT	OMEGP2		
STEERING DAMPER	OMESD22		
CENTRE BOLT SPACER KIT	CBS02 <span style="border: 1px solid black; padding: 0 2px;">1</span>	2	
EXTRA LEAF	D1XL		
CENTRE BOLT	UCB3		

<b>REAR</b> <i>Estimated Lift: 45mm</i>	<b>ALL MODELS</b>		
	PART NUMBER	QTY	UNIT PRICE \$
<b>SPRING: CONSTANT 400 KGS</b>	<b>CS016RA/B</b> <span style="border: 1px solid black; padding: 0 2px;">2</span> <span style="border: 1px solid black; padding: 0 2px;">3</span> <span style="border: 1px solid black; padding: 0 2px;">4</span>	1 + 1	
NITROCHARGER SPORT	60054	2	
NITROCHARGER	N25 <span style="border: 1px solid black; padding: 0 2px;">5</span>		
<b>SPRING: CONSTANT 600 KGS</b>	<b>CS016RA/B</b> <span style="border: 1px solid black; padding: 0 2px;">2</span> <span style="border: 1px solid black; padding: 0 2px;">3</span>	1 + 1	
NITROCHARGER SPORT	60054	2	
NITROCHARGER	N25 <span style="border: 1px solid black; padding: 0 2px;">5</span>		
SPRING BUSH KIT	OMESB64	2	
GREASABLE SHACKLE KIT	OMEGS1	1	
GREASABLE SHACKLE FIXED END PIN KIT	OMEGP2		
U BOLTS	OMEU58B	4	
ANTI INVERSION KIT	FK08 <span style="border: 1px solid black; padding: 0 2px;">2</span>	1	
EXTRA LEAF	D15XL	2	
CENTRE BOLT	UCB11		

**REMARKS:**

- 1** CBS02 x 2 centre bolt spacers required for front spring fitment.
- 2** FK08 Anti Inversion Kit is **mandatory** fitment if greasable shackles are not fitted. Refer OME Technical & Fitting Manual.
- 3** Include tray weight in constant load calculation.
- 4** Remove 3rd leaf for vehicles requiring 400kg constant load springs.
- 5** When remaining stock of N25 is exhausted no further product will be available.

## PATROL MQ 260 LWB SPANISH BUILT ALL 2.8TD MODELS

FRONT <i>Estimated Lift: 30 - 40mm</i>	PETROL & DIESEL ENGINES		
	PART NUMBER	QTY	UNIT PRICE \$
<b>SPRING: TO 50 KGS</b>	<b>CS016F</b> <span style="border: 1px solid black; padding: 0 2px;">1</span>	2	
NITROCHARGER	N19 <span style="border: 1px solid black; padding: 0 2px;">3</span>		
<b>SPRING: 51-100 KGS</b>	<b>CS016F</b>	2	
NITROCHARGER	N19 <span style="border: 1px solid black; padding: 0 2px;">3</span>		
SPRING BUSH KIT	OMESB3	2	
	OMESB29		
U BOLTS	OMEU56 <span style="border: 1px solid black; padding: 0 2px;">2</span>		
	OMEU57		
EXTRA LEAF	D30XL		
CENTRE BOLT	UCB17		

**REMARKS:**

- 1** To improve ride quality remove 3rd leaf from top of spring.
- 2** Front U Bolt:  
OMEU56 fits to right hand side.  
OMEU57 fits to left hand side.
- 3** When remaining stock of N19, N42 and N89 is exhausted no further product will be available.

REAR <i>Estimated Lift: 50mm</i>	ALL MODELS		
	PART NUMBER	QTY	UNIT PRICE \$
<b>SPRING: MEDIUM LOAD</b>	<b>CS011R</b>	2	
NITROCHARGER	N89 <span style="border: 1px solid black; padding: 0 2px;">3</span>		
<b>SPRING: CONSTANT 200 KGS</b>	<b>CS012R</b>	2	
NITROCHARGER	*N42 / N89 <span style="border: 1px solid black; padding: 0 2px;">3</span>		
SPRING BUSH KIT	OMESB2	2	
	OMESB29		
U BOLTS	OMEU58	4	
EXTRA LEAF	D12XL	2	
CENTRE BOLT	UCB1		

## PATROL MQ M60 ALL MODELS

<b>FRONT</b> <i>Estimated Lift: 30 - 40mm</i>	<b>PETROL &amp; DIESEL ENGINES</b>		
	PART NUMBER	QTY	UNIT PRICE \$
<b>SPRING: TO 50 KGS</b>	<b>CS010FA / B</b> <span style="border: 1px solid black; padding: 0 2px;">1</span>	1 + 1	
NITROCHARGER	EARLY *N47/N96	2	
	LATE N49		
<b>SPRING: 51 TO 110 KGS</b>	<b>CS011FA / B</b> <span style="border: 1px solid black; padding: 0 2px;">1</span>	1 + 1	
NITROCHARGER	EARLY *N47/N96	2	
	LATE N49		
SPRING BUSH KIT	OMESB28 <span style="border: 1px solid black; padding: 0 2px;">2</span>	2	
	OMESB29		
	OMESB31 <span style="border: 1px solid black; padding: 0 2px;">2</span>		
	OMESB29		
U BOLTS	OMEU56 <span style="border: 1px solid black; padding: 0 2px;">4</span>	2	
	OMEU57		
STEERING DAMPER	OMESD22	1	
EXTRA LEAF	D11XL <span style="border: 1px solid black; padding: 0 2px;">5</span>	2	
CENTRE BOLT	UCB5		

<b>REAR</b> <i>Estimated Lift: 50mm</i>	<b>ALL MODELS</b>		
	PART NUMBER	QTY	UNIT PRICE \$
<b>SPRING: MEDIUM LOAD</b>	<b>CS011R</b>	2	
NITROCHARGER	N97		
<b>SPRING: CONSTANT 200 KGS</b>	<b>CS012R</b>	2	
NITROCHARGER	N48		
SPRING BUSH KIT	OMESB2 <span style="border: 1px solid black; padding: 0 2px;">3</span>	2	
	OMESB29		
U BOLTS	OMEU58	4	
EXTRA LEAF	D12XL	2	
CENTRE BOLT	UCB1		

**REMARKS:**

- 1 Models with P40 4 litre engine require CS011FA / B springs.  
Individual vehicles fitted with A / B fitment may experience a pronounced trimming problem to right hand side. In these cases fitment of an XL leaf to the right hand side will correct problem.
- 2 Front Spring Bushes:  
Early model (round headlight) require OMESB28 and OMESB29.  
Late model (square headlight) require OMESB31 and OMESB29.
- 3 OME Bush Kits **must** be used to enable springs to be fitted.
- 4 Front U Bolt:                    OMEU56 fits to right hand side  
   OMEU57 fits to left hand side
- 5 D11XL suitable for CS010FA / B.

## NAVARA D23 NP300 2019 ON Series 4 & 5

<b>FRONT</b> <i>Estimated Lift: 20mm</i>	TWIN TURBO DIESEL		
	PART NUMBER	QTY	UNIT PRICE \$
<b>SPRING: No Bar</b>	<b>3099</b>	1	
STRUT - SPORT	90032 <span style="border: 1px solid black; padding: 0 2px;">1</span>	2	
<b>SPRING: Bar</b>	<b>3100</b>	1	
STRUT -SPORT	90032 <span style="border: 1px solid black; padding: 0 2px;">1</span>	2	
<b>SPRING: Bar / Winch</b>	<b>3101</b>	1	
STRUT -SPORT	90032 <span style="border: 1px solid black; padding: 0 2px;">1</span>	2	
UPPER STRUT BUSHES	OME3139 <span style="border: 1px solid black; padding: 0 2px;">1</span>	2	
STRUT TOP HAT KIT	OMETH005 <span style="border: 1px solid black; padding: 0 2px;">3</span>		
TRIM PACKER	FK84 <span style="border: 1px solid black; padding: 0 2px;">2</span>		

<b>REAR</b> <i>Estimated Lift: 30mm</i>	COIL SPRING REAR		
	PART NUMBER	QTY	UNIT PRICE \$
<b>SPRING: MEDIUM LOAD</b>	<b>3191</b>	1	
NITROCHARGER SPORT	60136 <span style="border: 1px solid black; padding: 0 2px;">4</span>	2	
<b>SPRING: CONSTANT 200KG</b>	<b>3192</b>	1	
NITROCHARGER SPORT	*60137 / 60136 <span style="border: 1px solid black; padding: 0 2px;">4</span>	2	
<b>SPRING: CONSTANT 400KG</b>	<b>3193</b>	1	
NITROCHARGER SPORT	60137 <span style="border: 1px solid black; padding: 0 2px;">4</span>	2	
<b>SPRING: CONSTANT 600KG</b>	<b>3194</b>	1	
NITROCHARGER SPORT	60137	2	
FITTING KIT - SWAY BAR / BRAKE	FK85	1	

<b>REAR</b> <i>Estimated Lift: 40mm</i>	LEAF SPRING REAR		
	PART NUMBER	QTY	UNIT PRICE \$
<b>SPRING: MEDIUM LOAD</b>	<b>EL092R</b>	2	
NITROCHARGER SPORT	60134		
<b>SPRING: CONSTANT 300KG</b>	<b>EL093R</b>	2	
NITROCHARGER SPORT	*60135 / 60134		
<b>SPRING: CONSTANT 600KG</b>	<b>EL094R</b>	2	
NITROCHARGER SPORT	60135		
GREASABLE SHACKLE KIT	OMEGS24	1	
SPRING BUSH KIT	OMESB114 <span style="border: 1px solid black; padding: 0 2px;">5</span>	2	
	OMESB115		
U BOLTS	OMEU59A <span style="border: 1px solid black; padding: 0 2px;">6</span>	4	
	OMEU59B		
FITTING KIT - BUMP SPACER	FK83 <span style="border: 1px solid black; padding: 0 2px;">7</span>	1	
EXTRA LEAF	EL43XL <span style="border: 1px solid black; padding: 0 2px;">8</span>	2	

**REMARKS:**

- 1** No top mounting bushes supplied use OME3139. OE bushes may be re-used if in good condition.
- 2** Trim packer FK84 provides approximately 10mm lift at the wheel.
- 3** Stut Top Hat Kit may be required if original equipment is worn.
- 4** Sway Bar/Brake Fitting Kit FK85 is **required** when fitting all OME rear shocks.
- 5** OMESB114 suits OE Shackle.  
OMESB115 Bush Kit suits OME Greasable Shackle OMEGS24.
- 6** Use OMEU59A when fitting EL092R.  
  
Use OMEU59B when fitting EL093R and EL094R.
- 7** Fitment of Bump Spacer Kit FK83 is **required** when fitting all OME rear leaf springs.
- 8** EL43XL will give approximately 15mm extra lift or increase loading capacity at design height by approximately 300kgs.

## NAVARA D23 NP300 2015 TO 2018 Series 1, 2 & 3

<b>FRONT</b> <i>Estimated Lift: 20 - 30mm</i>	TWIN TURBO DIESEL			SINGLE TURBO DIESEL		
	PART NUMBER	QTY	UNIT PRICE \$	PART NUMBER	QTY	UNIT PRICE \$
<b>SPRING: No Bar</b>	<b>3099</b>	1		<b>2608</b>	1	
STRUT - SPORT	90032 <span style="border: 1px solid black; padding: 0 2px;">1</span>	2		90032 <span style="border: 1px solid black; padding: 0 2px;">1</span>	2	
<b>SPRING: Bar</b>	<b>3100</b>	1		<b>3099</b>	1	
STRUT -SPORT	90032 <span style="border: 1px solid black; padding: 0 2px;">1</span>	2		90032 <span style="border: 1px solid black; padding: 0 2px;">1</span>	2	
<b>SPRING: Bar / Winch</b>	<b>3101</b>	1		<b>3100</b>	1	
STRUT -SPORT	90032 <span style="border: 1px solid black; padding: 0 2px;">1</span>	2		90032 <span style="border: 1px solid black; padding: 0 2px;">1</span>	2	
UPPER STRUT BUSHES	OME3139 <span style="border: 1px solid black; padding: 0 2px;">1</span>	2		OME3139 <span style="border: 1px solid black; padding: 0 2px;">1</span>	2	
STRUT TOP HAT KIT	OMETH005 <span style="border: 1px solid black; padding: 0 2px;">3</span>			OMETH005 <span style="border: 1px solid black; padding: 0 2px;">3</span>		
TRIM PACKER	FK84 <span style="border: 1px solid black; padding: 0 2px;">2</span>			FK84 <span style="border: 1px solid black; padding: 0 2px;">2</span>		

<b>REAR</b> <i>Estimated Lift: 30mm</i>	COIL SPRING REAR		
	PART NUMBER	QTY	UNIT PRICE \$
<b>SPRING: MEDIUM LOAD</b>	<b>3095</b>	1	
NITROCHARGER SPORT	60136 <span style="border: 1px solid black; padding: 0 2px;">4</span>	2	
<b>SPRING: CONSTANT 200KG</b>	<b>3096</b>	1	
NITROCHARGER SPORT	*60137 / 60136 <span style="border: 1px solid black; padding: 0 2px;">4</span>	2	
<b>SPRING: CONSTANT 400KG</b>	<b>3097</b>	1	
NITROCHARGER SPORT	60137 <span style="border: 1px solid black; padding: 0 2px;">4</span>	2	
<b>SPRING: CONSTANT 600KG</b>	<b>3098</b>	1	
NITROCHARGER SPORT	60137	2	
FITTING KIT - SWAY BAR / BRAKE	FK85	1	

<b>REAR</b> <i>Estimated Lift: 40mm</i>	LEAF SPRING REAR		
	PART NUMBER	QTY	UNIT PRICE \$
<b>SPRING: MEDIUM LOAD</b>	<b>EL092R</b>	2	
NITROCHARGER SPORT	60134		
<b>SPRING: CONSTANT 300KG</b>	<b>EL093R</b>	2	
NITROCHARGER SPORT	*60135 / 60134		
<b>SPRING: CONSTANT 600KG</b>	<b>EL094R</b>	2	
NITROCHARGER SPORT	60135		
GREASABLE SHACKLE KIT	OMEGB24	1	
SPRING BUSH KIT	OMESB114 <span style="border: 1px solid black; padding: 0 2px;">5</span>	2	
	OMESB115		
U BOLTS	OMEU59A <span style="border: 1px solid black; padding: 0 2px;">6</span>	4	
	OMEU59B		
FITTING KIT - BUMP SPACER	FK83 <span style="border: 1px solid black; padding: 0 2px;">7</span>	1	
EXTRA LEAF	EL43XL <span style="border: 1px solid black; padding: 0 2px;">8</span>	2	

**REMARKS:**

- 1** No top mounting bushes supplied use OME3139. OE bushes may be re-used if in good condition.
- 2** Trim packer FK84 provides approximately 10mm lift at the wheel.
- 3** Stut Top Hat Kit may be required if original equipment is worn.
- 4** Sway Bar/Brake Fitting Kit FK85 is **required** when fitting all OME rear shocks.
- 5** OMESB114 suits OE Shackle.  
OMESB115 Bush Kit suits OME Greasable Shackle OMEGB24.
- 6** Use OMEU59A when fitting EL092R.  
  
Use OMEU59B when fitting EL093R and EL094R.
- 7** Fitment of Bump Spacer Kit FK83 is **required** when fitting all OME rear leaf springs.
- 8** EL43XL will give approximately 15mm extra lift or increase loading capacity at design height by approximately 300kgs.

## NAVARA D40 2005 ON ALL MODELS (USA - NISSAN FRONTIER)

FRONT <i>Estimated Lift: 20 - 30mm</i>	DIESEL & V6 PETROL			V6 TURBO DIESEL		
	PART NUMBER	QTY	UNIT PRICE \$	PART NUMBER	QTY	UNIT PRICE \$
<b>SPRINGS: TO 40 KGS</b>	<b>2607</b>	1		<b>2608</b>	1	
STRUT - SPORT	90003 <span style="border: 1px solid black; padding: 0 2px;">1</span>	2		90003 <span style="border: 1px solid black; padding: 0 2px;">1</span>	2	
<b>SPRINGS: 41 TO 80 KGS</b>	<b>2608</b>	1		<b>2631</b>	1	
STRUT - SPORT	90003 <span style="border: 1px solid black; padding: 0 2px;">1</span>	2		90003 <span style="border: 1px solid black; padding: 0 2px;">1</span>	2	
UPPER STRUT BUSHES	OME3139 <span style="border: 1px solid black; padding: 0 2px;">1</span>	2		OME3139 <span style="border: 1px solid black; padding: 0 2px;">1</span>	2	
STRUT TOP HAT KIT	OMETH005 <span style="border: 1px solid black; padding: 0 2px;">5</span>			OMETH005 <span style="border: 1px solid black; padding: 0 2px;">5</span>		

REAR <i>Estimated Lift: 40mm</i>	ALL MODELS		
	PART NUMBER	QTY	UNIT PRICE \$
<b>SPRING: MEDIUM LOAD</b>	<b>CS150R</b> <span style="border: 1px solid black; padding: 0 2px;">3</span>	2	
NITROCHARGER SPORT	60017		
NITROCHARGER	N185 <span style="border: 1px solid black; padding: 0 2px;">6</span>		
SPRING BUSH KIT	OMESB99 <span style="border: 1px solid black; padding: 0 2px;">2</span>	2	
	OMESB100		
<b>SPRING: CONSTANT 400 KGS</b>	<b>CS151R</b> <span style="border: 1px solid black; padding: 0 2px;">3</span>	2	
NITROCHARGER SPORT	*60110 / 60017		
NITROCHARGER	N185 <span style="border: 1px solid black; padding: 0 2px;">6</span>		
SPRING BUSH KIT	OMESB99 <span style="border: 1px solid black; padding: 0 2px;">2</span>	2	
	OMESB100		
GREASABLE SHACKLE KIT	OMEGS15 <span style="border: 1px solid black; padding: 0 2px;">2</span>	1	
U BOLTS	OMEU53A <span style="border: 1px solid black; padding: 0 2px;">4</span>	4	
EXTRA LEAF	D31XL	2	
CENTRE BOLT	UCB19		

**REMARKS:**

- 1** No top mounting bushes supplied, use OME3139. OE bushes may be re-used if in good condition.
- 2** Use:  
OMESB99 with OE Shackles.  
OMESB100 when installing OMEGS15.
- 3** Include tray weight in constant load calculation.
- 4** OE U bolt plate bolt holes may need to be enlarged when fitting OME U bolts.
- 5** Strut Top Hat Kit may be required if original equipment is worn.
- 6** When remaining stock of N185 is exhausted no further product will be available.

## NAVARA D22 10/2002 ON ALL MODELS NP300 2008 TO 2014 ALL MODELS

FRONT	PART NUMBER	QTY	UNIT PRICE \$
TORSION BARS: OVER 50 KGS	303007 <span style="border: 1px solid black; padding: 0 2px;">1</span>	1	
NITROCHARGER SPORT	60034 <span style="border: 1px solid black; padding: 0 2px;">2</span>	2	

**REMARKS:**

- 1** Raise or lower front end clearance and trim vehicle by adjusting front torsion bars. **Important:** A minimum of 60mm of droop **must** be maintained.
- 2** It may be necessary to slightly increase the clearance in the front wishbone to allow shock absorber to fit. Do not modify shock absorber.
- 3** Include tray weight in constant load calculation. For constant 400kg loads, add D18XL to CS031R.
- 4** CS032R has a 25mm lower cambered 2nd stage for improved ride quality, however under heavy load this will cause the ride height to be 25mm lower.
- 5** FK01 U Bolt Thread Spacer Kit required on all cab chassis Models.
- 6** OME3139 suits OE Shackle.  
OMESB105 suits OME Greasable Shackle OMEGS21.

REAR <i>Estimated Lift: 30mm</i>	ALL MODELS		
	PART NUMBER	QTY	UNIT PRICE \$
<b>SPRING: MEDIUM LOAD</b>	<b>CS032R</b> <span style="border: 1px solid black; padding: 0 2px;">4</span>	2	
NITROCHARGER SPORT	60035		
<b>SPRING: CONSTANT 200 KGS</b>	<b>CS031R</b> <span style="border: 1px solid black; padding: 0 2px;">3</span>	2	
NITROCHARGER SPORT	60035		
NITROCHARGER	N59 <span style="border: 1px solid black; padding: 0 2px;">7</span>	2	
SPRING BUSH KIT	OMESB91 <span style="border: 1px solid black; padding: 0 2px;">6</span>		
		OMESB105	
U BOLTS	OMEU63	4	
U BOLT THREAD SPACER KIT	FK01 <span style="border: 1px solid black; padding: 0 2px;">5</span>	1	
GREASABLE SHACKLE KIT	OMEGS21 <span style="border: 1px solid black; padding: 0 2px;">6</span>	2	
EXTRA LEAF	D18XL <span style="border: 1px solid black; padding: 0 2px;">3</span>		
CENTRE BOLT	UCB14		

- 7** When remaining stock of N59 is exhausted no further product will be available.



## NAVARA D21 & D22 TO 8/2002 ALL MODELS

FRONT	PART NUMBER	QTY	UNIT PRICE \$
TORSION BARS: OVER 50 KGS	303007 <span style="border: 1px solid black; padding: 0 2px;">1</span>	1	
	303008		
NITROCHARGER SPORT	60021 <span style="border: 1px solid black; padding: 0 2px;">2</span>	2	

REAR	ALL MODELS		
<i>Estimated Lift: 30mm</i>	PART NUMBER	QTY	UNIT PRICE \$
<b>SPRING: MEDIUM LOAD</b>	<b>CS030R</b>		
NITROCHARGER SPORT	60035	2	
<b>SPRING: CONSTANT 200 KGS</b>	<b>CS031R</b> <span style="border: 1px solid black; padding: 0 2px;">3</span>		
NITROCHARGER SPORT	60035	2	
NITROCHARGER	N59 <span style="border: 1px solid black; padding: 0 2px;">4</span>		
SPRING BUSH KIT	OMESB81	2	
U BOLTS	OMEU63	4	
EXTRA LEAF	D18XL <span style="border: 1px solid black; padding: 0 2px;">3</span>		
CENTRE BOLT	UCB14	2	

**REMARKS:**

**1** Raise or lower front end clearance and trim vehicle by adjusting front torsion bars. 303007 suits D22 & 303008 suits D21 Models.

**Important:** A minimum of 60mm of droop **must** be maintained.

**2** It may be necessary to slightly increase the clearance in the front wishbone to allow shock absorber to fit. Do not modify shock absorber.

**3** For constant 400kg loads, add D18XL to CS031R. Include tray weight in constant load calculation.

**4** When remaining stock of N59 is exhausted no further product will be available.

## PATHFINDER R51 2005 TO 2014 (NOT USA MANUFACTURED MODEL)

FRONT	DIESEL & V6 PETROL			V6 TURBO DIESEL		
<i>Estimated Lift: 30mm</i>	PART NUMBER	QTY	UNIT PRICE \$	PART NUMBER	QTY	UNIT PRICE \$
<b>SPRING: TO 40 KGS</b>	<b>2607</b>	1		<b>2608</b>	1	
STRUT - SPORT	90003 <span style="border: 1px solid black; padding: 0 2px;">1</span>	2		90003 <span style="border: 1px solid black; padding: 0 2px;">1</span>	2	
<b>SPRING: 41 TO 100 KGS</b>	<b>2608</b>	1		<b>2631</b>	1	
STRUT - SPORT	90003 <span style="border: 1px solid black; padding: 0 2px;">1</span>	2		90003 <span style="border: 1px solid black; padding: 0 2px;">1</span>	2	
UPPER STRUT BUSHES	OME3139 <span style="border: 1px solid black; padding: 0 2px;">1</span>	2		OME3139 <span style="border: 1px solid black; padding: 0 2px;">1</span>	2	
STRUT TOP HAT KIT	OMETH005 <span style="border: 1px solid black; padding: 0 2px;">2</span>			OMETH005 <span style="border: 1px solid black; padding: 0 2px;">2</span>		

REAR	ALL MODELS		
<i>Estimated Lift: 30mm</i>	PART NUMBER	QTY	UNIT PRICE \$
<b>SPRING: MEDIUM LOAD</b>	<b>2609</b>	1	
NITROCHARGER SPORT	60016	2	
<b>SPRING: CONSTANT 200 KGS</b>	<b>2610</b>	1	
NITROCHARGER SPORT	60016	2	

**REMARKS:**

**1** A 4 Wheel alignment **must** be carried out after fitment of OME suspension. No top mounting bushes supplied, use OME3139. OE bushes may be re-used if in good condition.

**2** Strut Top Hat Kit may be required if original equipment is worn.

## PATHFINDER R50 1996 TO 2005 V6 MODELS

FRONT <i>Estimated Lift: 15mm</i>	V6 MODEL		
	PART NUMBER	QTY	UNIT PRICE \$
<b>SPRING: NO ACCESSORIES</b>	2921	1	
<b>SPRING: TO 50 KGS</b>	2923		
<b>SPRING: 51 TO 100 KGS</b>	2928		

REAR <i>Estimated Lift: 20mm</i>	ALL MODELS		
	PART NUMBER	QTY	UNIT PRICE \$
<b>SPRING: MEDIUM LOAD</b>	2922	1	
NITROCHARGER	N61	2	
	N104	1	

**REMARKS:**

- 1** N61: Suit Models To 1/'99. N104: Suit Models from 2/'99 On.

## PATHFINDER TO LATE 1995 ALL MODELS

FRONT			
	PART NUMBER	QTY	UNIT PRICE \$
TORSION BARS	-	1	
NITROCHARGER SPORT	60031	2	

REAR <i>Estimated Lift: 20mm</i>	ALL MODELS		
	PART NUMBER	QTY	UNIT PRICE \$
<b>SPRING: MEDIUM LOAD</b>	2920	1	
NITROCHARGER SPORT	*60064 / 60032	2	
NITROCHARGER	*N42 / N89		3

**REMARKS:**

- 1** Raise or lower front end clearance and trim vehicle by adjusting front torsion bars.

**Important:** A minimum of 60mm of drop **must** be maintained.

- 2** It may be necessary to slightly increase the clearance in the front wishbone to allow shock absorber to fit. Do not modify shock absorber.

- 3** When remaining stock of N42 and N89 is exhausted no further product will be available.

## TERRANO II R20 1996 TO 2005

FRONT	PETROL & DIESEL ENGINES		
	PART NUMBER	QTY	UNIT PRICE \$
TORSION BARS	-	1	
NITROCHARGER SPORT	60031	2	

REAR <i>Estimated Lift: 20mm</i>	ALL MODELS		
	PART NUMBER	QTY	UNIT PRICE \$
<b>SPRING: MEDIUM LOAD</b>	2920	1	
NITROCHARGER SPORT	60058	2	

**REMARKS:**

- 1** Raise or lower front end clearance and trim vehicle by adjusting front torsion bars.

- 2** It may be necessary to slightly increase the clearance in the front wishbone to allow shock absorber to fit. Do not modify shock absorber.

## XTERRA 2005 ON MODELS

<b>FRONT</b> <i>Estimated Lift: 30mm</i>	V6 PETROL ENGINE		
	PART NUMBER	QTY	UNIT PRICE \$
<b>SPRINGS: TO 40 KGS</b>	<b>2607</b>	1	
STRUT - SPORT	90003 <span style="border: 1px solid black; padding: 0 2px;">1</span>	2	
<b>SPRINGS: 41 TO 80 KGS</b>	<b>2608</b>	1	
STRUT - SPORT	90003 <span style="border: 1px solid black; padding: 0 2px;">1</span>	2	
UPPER STRUT BUSHES	OME3139 <span style="border: 1px solid black; padding: 0 2px;">1</span>		
STRUT TOP HAT KIT	OMETH005 <span style="border: 1px solid black; padding: 0 2px;">5</span>		

<b>REAR</b> <i>Estimated Lift: 30mm</i>	ALL MODELS		
	PART NUMBER	QTY	UNIT PRICE \$
<b>SPRING: MEDIUM LOAD</b>	<b>CS061R</b> <span style="border: 1px solid black; padding: 0 2px;">4</span>	2	
NITROCHARGER SPORT	60017 <span style="border: 1px solid black; padding: 0 2px;">3</span>		
NITROCHARGER	N185 <span style="border: 1px solid black; padding: 0 2px;">6</span>		
SPRING BUSH KIT	OMESB99 <span style="border: 1px solid black; padding: 0 2px;">2</span>	2	
	OMESB100		
GREASABLE SHACKLE KIT	OMECS15 <span style="border: 1px solid black; padding: 0 2px;">2</span>	1	
U BOLTS	OMEU72	4	
FITTING KIT	FK42 <span style="border: 1px solid black; padding: 0 2px;">3</span>	1	
EXTRA LEAF	D37XL <span style="border: 1px solid black; padding: 0 2px;">4</span>	2	

**REMARKS:**

- 1** No top mounting bushes supplied, use OME3139. OE bushes may be re-used if in good condition.
- 2** OMESB99 suits factory shackles.  
OMESB100 suits OMECS15 Greasable Shackle Kit.
- 3** FK42 is a **mandatory** fitment to space sway bar link away from shock absorber.
- 4** CS061R with D37XL provides approximately 60mm lift over factory with no additional rear load.  
CS061R with D37XL provides approximately 30mm lift over factory with constant 200kg additional rear load.
- 5** Strut Top Hat Kit may be required if original equipment is worn.
- 6** When remaining stock of N185 is exhausted no further product will be available.

# SSANGYONG

## MUSSO, SPORT UTILITY & KORANDO 1995 TO 2005

FRONT	PETROL & DIESEL ENGINES		
	PART NUMBER	QTY	UNIT PRICE \$
TORSION BARS	-		
NITROCHARGER SPORT	60031	2	

REAR	ALL MODELS		
	PART NUMBER	QTY	UNIT PRICE \$
<i>Estimated Lift: 40mm</i>			
<b>SPRING: MEDIUM LOAD</b>	2937	1	
NITROCHARGER	N118	2	

# SUZUKI

## GRAND VITARA 8/2005 TO 2015

FRONT	PETROL V6 (2.7) (3.2) DIESEL (1.9)			PETROL 4 CYLINDER (2.0)		
	PART NUMBER	QTY	UNIT PRICE \$	PART NUMBER	QTY	UNIT PRICE \$
<i>Estimated Lift: 20mm</i>						
<b>SPRING: TO 35 KGS</b>	2623	1		2624	1	
STRUT	N217S + N218S <sup>1</sup>	1 + 1		N217S + N218S <sup>1</sup>	1 + 1	

REAR	ALL MODELS		
	PART NUMBER	QTY	UNIT PRICE \$
<i>Estimated Lift: 20mm</i>			
<b>SPRING: MEDIUM LOAD</b>	2625	1	
NITROCHARGER	OME036	2	

REMARKS:

- <sup>1</sup> N217S Left Hand Side.  
N218S Right Hand Side.

## GRAND VITARA TO 2005

FRONT	PETROL 4 & 6 CYLINDER ENGINE			DIESEL ENGINE		
	PART NUMBER	QTY	UNIT PRICE \$	PART NUMBER	QTY	UNIT PRICE \$
<i>Estimated Lift: 30mm</i>						
<b>SPRING: TO 35 KGS</b>	2959	1		2962	1	
STRUT	N103S	2		N103S	2	
<b>SPRING: 36 TO 75 KGS</b>	2962	1		2962 <sup>1</sup>	1	
STRUT	N103S	2		N103S	2	
COIL PACKER	OMESJR10			OMESJR10		

REAR	ALL MODELS		
	PART NUMBER	QTY	UNIT PRICE \$
<i>Estimated Lift: 30mm</i>			
<b>SPRING: MEDIUM LOAD</b>	2961	1	
NITROCHARGER	N105	2	

REMARKS:

- <sup>1</sup> Coil packer OMESJR10 can be used to increase ride height.

## VITARA WAGON 1988 TO 2005

FRONT <i>Estimated Lift: 25 - 30mm</i>	V6 PETROL ENGINE		
	PART NUMBER	QTY	UNIT PRICE \$
<b>SPRING: TO 35 KGS</b>	<b>2950</b>	1	
STRUT	N103S <span style="border: 1px solid black; padding: 0 2px;">1</span>	2	
<b>SPRING: 36 TO 75 KGS</b>	<b>2959</b>	1	
STRUT	N103S <span style="border: 1px solid black; padding: 0 2px;">1</span>	2	

REAR <i>Estimated Lift: 30mm</i>	ALL MODELS		
	PART NUMBER	QTY	UNIT PRICE \$
<b>SPRING: LIGHT LOAD</b>	<b>2954</b>	1	
NITROCHARGER	N105	2	
<b>SPRING: MEDIUM LOAD</b>	<b>2955</b>	1	
NITROCHARGER	N105	2	

## VITARA WAGON 1988 TO 2005

FRONT <i>Estimated Lift: 30mm</i>	4 CYLINDER PETROL ENGINE		
	PART NUMBER	QTY	UNIT PRICE \$
<b>SPRING: TO 35 KGS</b>	<b>2960</b>	1	
STRUT	N103S <span style="border: 1px solid black; padding: 0 2px;">1</span>	2	
<b>SPRING: 36 TO 75 KGS</b>	<b>2953</b>	1	
STRUT	N103S <span style="border: 1px solid black; padding: 0 2px;">1</span>	2	

REAR <i>Estimated Lift: 30mm</i>	ALL MODELS		
	PART NUMBER	QTY	UNIT PRICE \$
<b>SPRING: LIGHT LOAD</b>	<b>2954</b>	1	
NITROCHARGER	N105	2	
<b>SPRING: MEDIUM LOAD</b>	<b>2955</b>	1	
NITROCHARGER	N105	2	

## VITARA SWB TO 2005

FRONT <i>Estimated Lift: 30mm</i>	4 CYLINDER PETROL ENGINE		
	PART NUMBER	QTY	UNIT PRICE \$
<b>SPRING: TO 35 KGS</b>	<b>2951</b>	1	
STRUT	N103S <span style="border: 1px solid black; padding: 0 2px;">1</span>	2	

REAR <i>Estimated Lift: 30mm</i>	ALL MODELS		
	PART NUMBER	QTY	UNIT PRICE \$
<b>SPRING: MEDIUM LOAD</b>	<b>2952</b>	1	
NITROCHARGER	N32 <span style="border: 1px solid black; padding: 0 2px;">2</span>	2	

### REMARKS:

- 1** Front strut has 40mm longer travel than original equipment.
- 2** Rear shock has 50mm longer travel than original equipment.

## EQUATOR (US MARKET ONLY)

FRONT <i>Estimated Lift: 30mm</i>	DIESEL & V6 PETROL		
	PART NUMBER	QTY	UNIT PRICE \$
<b>SPRINGS: TO 40 KGS</b>	<b>2607</b>	1	
STRUT - SPORT	90003 <sup>1</sup>	2	
<b>SPRINGS: 41 TO 80 KGS</b>	<b>2608</b>	1	
STRUT - SPORT	90003 <sup>1</sup>	2	
UPPER STRUT BUSHES	OME3139		
STRUT TOP HAT KIT	OMETH005 <sup>4</sup>		

REAR <i>Estimated Lift: 40mm</i>	ALL MODELS		
	PART NUMBER	QTY	UNIT PRICE \$
<b>SPRING: MEDIUM LOAD</b>	<b>CS150R</b> <sup>2</sup>	2	
NITROCHARGER SPORT	60017		
NITROCHARGER	N185 <sup>5</sup>		
SPRING BUSH KIT	OMESB99 <sup>2</sup>		
	OMESB100		
<b>SPRING: CONSTANT 400 KGS</b>	<b>CS151R</b> <sup>2</sup>	2	
NITROCHARGER SPORT	60017		
NITROCHARGER	N185 <sup>5</sup>		
SPRING BUSH KIT	OMESB99 <sup>2</sup>		
	OMESB100		
GREASABLE SHACKLE KIT	OMECS15 <sup>2</sup>	1	
U BOLTS	OMEU53A <sup>3</sup>	4	

### REMARKS:

- 1** OE plastic stone shield **must** be refitted. No top mounting bushes supplied, use OME3139. OE bushes may be re-used if in good condition.
- 2** Use: OMESB99 with OE Shackles.  
OMESB100 when installing OMEGS15.
- 3** OE U Bolt plate bolt holes may need to be enlarged when fitting OME U Bolts.
- 4** Strut Top Hat Kit may be required if original equipment is worn.
- 5** When remaining stock of N185 is exhausted no further product will be available.

## SIERRA / SAMURAI ALL LEAF SPRING MODELS (SJ413)

STD TRACK : 1984 - 1988

SJ50 - SWB

SJ51 - LWB

WIDE TRACK : 1988 - 1996

SJ70 - SWB (also fits MG410)

SJ71 - LWB (also fits MG410WT)

Note: MG410 & MG10WT are Indian built LWB Models.

FRONT <i>Estimated Lift: 40mm</i>	1.0 LITRE			1.3 LITRE		
	PART NUMBER	QTY	UNIT PRICE \$	PART NUMBER	QTY	UNIT PRICE \$
<b>SPRING: TO 25 KGS</b>	<b>CS012FA / B</b> <sup>5</sup>	1 + 1		<b>CS012FA / B</b> <sup>5</sup>	1 + 1	
NITROCHARGER	OME015 <sup>7</sup>	2		OME025	2	
<b>SPRING: 26 TO 75 KGS</b>	<b>CS013FA / B</b> <sup>5</sup>	1 + 1		<b>CS013FA / B</b> <sup>5</sup>	1 + 1	
NITROCHARGER	OME025	2		OME025	2	
SPRING BUSH	OMESB19 <sup>1</sup>	2		OMESB19 <sup>1</sup>	2	
	OMESB25			OMESB25		
U BOLTS	Required <sup>3</sup>	4		Required <sup>3</sup>	4	
FITTING KIT	FK06 <sup>4</sup>	1		FK06 <sup>4</sup>	1	
TRIM PACKER	TP05			TP05		
STEERING DAMPER	OMESD30	1		OMESD30	1	
EXTRA LEAF	D20XL <sup>6</sup>	2		D20XL <sup>6</sup>	2	
CENTRE BOLT	UCB7			UCB7		

REAR <i>Estimated Lift: 40mm</i>	ALL MODELS		
	PART NUMBER	QTY	UNIT PRICE \$
<b>SPRING: MEDIUM LOAD</b>	<b>CS038R</b>	2	
NITROCHARGER	OME013 <sup>2</sup> N43		
<b>SPRING: CONSTANT 100 KGS</b>	<b>CS039R</b>	2	
NITROCHARGER	OME013 <sup>2</sup> N43		
SPRING BUSH KIT	OMESB19 <sup>1</sup>	2	
	OMESB25		
U BOLTS	Required <sup>3</sup>	4	
TRIM PACKER	TP05		
EXTRA LEAF	D21XL	2	
CENTRE BOLT	UCB7		

<sup>6</sup> D20XL is suitable for CS012FA / B.

<sup>7</sup> When remaining stock of OME015 is exhausted no further product will be available.

### REMARKS:

<sup>1</sup> OMESB19 Bush Kit fits all Models except LJ50. OMESB25 Bush Kit only fits Model LJ50.

<sup>2</sup> OME013 fits all Models except LJ80 and LJ80 II. N43 fits all LJ80 and LJ80 II Models.

<sup>3</sup> **88 To '96 1300cc Wide Track Models:**

Front: D/S OMEU61 x 1, OMEU61B x 1 P/S OMEU60 x 2

Rear: OMEU60 x 4

**84 To '88 1300cc STD Track Models:**

Front: D/S OMEU61 x 1, OMEU61B x 1 P/S OMEU62 x 2

Rear: OMEU62 x 4

**81 To '87 1000cc Models:**

Front: D/S OMEU61 x 1, OMEU61B x 1 P/S OMEU60 x 2

Rear: OMEU60 x 4

<sup>4</sup> FK06 kit required for Model with OE stabiliser bar. Refer OME Technical & Fitting Manual.

<sup>5</sup> **IMPORTANT:** Sierras used in extreme heavy off road conditions eg., station mustering, must have CS013FA + B installed.

## SANTANA SAMURAI TO 2004 SWB & LWB MODELS

FRONT <i>Estimated Lift: 30 - 40mm</i>	1.3 LITRE PETROL			1.9 LITRE DIESEL		
	PART NUMBER	QTY	UNIT PRICE \$	PART NUMBER	QTY	UNIT PRICE \$
<b>SPRING: TO 25 KGS - 40mm</b>	<b>CS012FA / B</b> <sup>[2]</sup>	1 + 1		<b>CS013FA / B</b> <sup>[2]</sup>	1 + 1	
NITROCHARGER	OME034	2		OME034	2	
<b>SPRING: 26 TO 75 KGS</b>	<b>CS013FA / B</b> <sup>[2]</sup>	1 + 1		<b>CS013FA / B</b> <sup>[2]</sup>	1 + 1	
<b>XL LEAF</b>	<b>D20XL</b> <sup>[1]</sup>	2		<b>D20XL</b> <sup>[1]</sup>	2	
NITROCHARGER	OME034			OME034		
SPRING BUSH	OMESB19	2		OMESB19	2	
U BOLTS	OE			OE	4	
	OMEU60 <sup>[2]</sup> OMEU61	2+2		OMEU60 <sup>[2]</sup> OMEU61		
	LHS   RHS			LHS   RHS		
CENTRE BOLT	UCB7	2		UCB7	2	
STEERING DAMPER	OMESD30 <sup>[3]</sup>	1		OMESD30 <sup>[3]</sup>	1	
TRIM PACKER	TP05			TP05		

REAR <i>Estimated Lift: 40mm</i>	SWB MODEL			LWB MODEL		
	PART NUMBER	QTY	UNIT PRICE \$	PART NUMBER	QTY	UNIT PRICE \$
<b>SPRING: MEDIUM LOAD</b>	<b>CS038R</b> <sup>[2]</sup>	2		<b>CS039R</b> <sup>[2]</sup>	2	
NITROCHARGER	OME035			OME035		
<b>SPRING: CONSTANT 100KGS</b>	<b>CS039R</b> <sup>[2]</sup>	2		<b>CS039R</b> <sup>[2]</sup>	2	
<b>XL LEAF</b>	-			<b>D21XL</b> <sup>[4]</sup>	2	
NITROCHARGER	OME035	2		OME035		
SPRING BUSH KIT	OMESB19	2		OMESB19	2	
U BOLTS	OE			OE		
	OMEU60 <sup>[2]</sup>	4		OMEU60 <sup>[2]</sup>	4	
CENTRE BOLT	-			UCB7	2	
TRIM PACKER	TP05			TP05		

### REMARKS:

- 1** Fitment of XL Leaf D20XL is recommended for weight in excess of 26kg on diesel Model and 75kg on petrol Model.
- 2** Front: LHS: OMEU60 x 2, RHS: OMEU61B x 2 required when fitting CS013FA/B  
Rear: OMEU60 x 4 required when fitting CS039R
- 3** OMESD30 can be fitted to Models which have an OE steering damper.
- 4** Fitment of XL leaf D21XL is recommended for LWB Models with constant 100kg rear weight or OE hard top.



## JIMNY 2018 ON (4TH GEN)

FRONT <i>Estimated Lift: 40mm</i>	4 CYL. 1.5L PETROL ENGINE		
	PART NUMBER	QTY	UNIT PRICE \$
<b>SPRING: NO BAR</b>	<b>3189</b>	1	
NITROCHARGER SPORT	60154	2	
<b>SPRING: BAR ONLY</b>	<b>3144</b>	1	
NITROCHARGER SPORT	60154	2	
<b>SPRING: BAR / WINCH</b>	<b>3145</b>	1	
NITROCHARGER SPORT	60154	2	
TRIM PACKER	OMESJF10		
CASTOR CORRECTION	OMECA001 <span style="border: 1px solid black; padding: 0 2px;">1</span>	1	

REAR <i>Estimated Lift: 40mm</i>	ALL MODELS		
	PART NUMBER	QTY	UNIT PRICE \$
<b>SPRING: MEDIUM LOAD</b>	<b>3146</b>	1	
NITROCHARGER	60155 <span style="border: 1px solid black; padding: 0 2px;">2</span>	2	
TRIM PACKER	OMESJR10		
PANHARD ROD EXTENSION BKT KIT	FK96 <span style="border: 1px solid black; padding: 0 2px;">3</span>	1	
BRAKE EXTENSION & SHOCK MOUNT KIT	FK99 <span style="border: 1px solid black; padding: 0 2px;">4</span>		
HEADLIGHT SENSOR KIT	FK97		

### REMARKS:

- 1** Fit OMECA001 to restore castor wheel alignment. Please refer to PIB No.1625 regarding Radius Arms inconsistencies.
- 2** Headlight Sensor Fitting Kit FK97 is required when fitting all OME extended travel rear shocks.
- 3** Fit FK96 to improve ride quality, not mandatory fitment.
- 4** Due to some variances in vehicle production FK99 is an optional but highly recommended fitment if vehicle displays light rear brake line and/or coil contact to rear shock absorber.

## JIMNY SN413 TO 2017

FRONT <i>Estimated Lift: 40mm</i>	4 CYLINDER PETROL ENGINE			DIESEL ENGINE		
	PART NUMBER	QTY	UNIT PRICE \$	PART NUMBER	QTY	UNIT PRICE \$
<b>SPRING: TO 35 KGS</b>	<b>2963</b>	1		<b>2965</b>	1	
NITROCHARGER	OME028	2		OME028	2	
<b>SPRING: 36 TO 85 KGS</b>	<b>2965</b>	1		<b>2969</b>	1	
NITROCHARGER	OME028	2		OME028	2	

REAR <i>Estimated Lift: 40mm</i>	ALL MODELS		
	PART NUMBER	QTY	UNIT PRICE \$
<b>SPRING:</b>	<b>2966</b> <span style="border: 1px solid black; padding: 0 2px;">1</span>	1	
	<b>2967</b>		
NITROCHARGER	OME029	2	
TRIM PACKER	OMESJR10		

### REMARKS:

- 1** 2966 suits right hand drive Models with a 20mm higher right hand side coil.  
2967 suits left hand drive Models with equal height coils.  
If uncertain, compare original coil heights.

# OFF ROAD USE ONLY - TOYOTA

## LANDCRUISER 80 & 105 SERIES

FRONT	PART NUMBER	QTY	UNIT PRICE \$	COMMENTS
<b>COILS</b>				
75mm LIFT - SPRING TO 50KG	2418	1		300 lbf/in
75mm LIFT - SPRING 51 TO 110KG	3039			220 lbf/in
100mm LIFT - SPRING TO 50KG	2419			300 lbf/in
100mm LIFT - SPRING 51 TO 110KG	3051			220 lbf/in
125mm LIFT - SPRING TO 50KG	2420			300 lbf/in
<b>SHOCKS</b>				
NITROCHARGER SPORT	60018L	2		Suits 100mm coils
NITROCHARGER SPORT	*60070L			Suits 100mm coils
<b>BP-51 SELECTION</b>				
SHOCK: LC80/105 FRONT LONG	BP5160044	2		Suits 100mm coils
BP KIT: LC80/105 FRONT	VM80010025	1		
<b>STEERING DAMPER</b>				
STABILISER	OMESD24	1		
<b>COMPONENTS</b>				
ADJUSTABLE PANHARD ROD	PANR007	1		RHD only
	PAN3050			LHD only
COIL SPRING TRIM PACKER	OME80PF05			5mm
COIL SPRING TRIM PACKER	OME80PF10			10mm
REAR	PART NUMBER	QTY	UNIT PRICE \$	COMMENTS
<b>COILS</b>				
75mm LIFT - MEDIUM	2421	1		280 lbf/in
75mm LIFT - CONSTANT 200KG	3040			250 lbf/in
75mm LIFT - CONSTANT 400KG	3049			320 lbf/in
100mm LIFT - MEDIUM	2422			280 lbf/in
100mm LIFT - CONSTANT 200KG	3043			250 lbf/in
100mm LIFT - CONSTANT 400KG	3052			320 lbf/in
125mm LIFT - MEDIUM	2423			280 lbf/in
<b>SHOCKS</b>				
NITROCHARGER SPORT	60020L	2		Suit 100mm coils
NITROCHARGER SPORT	*60071L			Suit 100mm coils
<b>BP-51 SELECTION</b>				
SHOCK: LC80/105 REAR LONG	BP5160015	2		Suits 100mm coils
BP KIT: LC80/105 REAR	VM80010026	1		
<b>COMPONENTS</b>				
ADJUSTABLE PANHARD ROD	PANR008	1		RHD & LHD
HEAVY DUTY LOWER TRAILING ARMS	LTA3043			Standard Length
ADJUSTABLE UPPER TRAILING ARMS	UTA3036			40mm on car adjustable
TRIM PACKER	OME80PR05			
	OME80PR10			10mm, MUST be installed top of coil

### Notification: Modifications for off - road use only

The products listed in this selection chart are deemed by Old Man Emu to be suitable for off road use and their legality for public road use should be certified by the relevant Registration Authority. An Off Road Use Only Disclaimer must be signed by the customer.

Modifications and replacement of other associated components will be required.

**Lift increase is approximate and will depend on vehicle weights.**

### Warranty Implications

The fitter selling these shocks **must** inform the customer there is **no warranty** due to the severe nature of competition racing. The fitter **must** also note on the customer's receipt "racing application no warranty applies". This will prevent any future misunderstanding.

## LANDCRUISER 105 SERIES & 80 SERIES WAGONS LIVE AXLE FRONT SUSPENSION MODELS

<b>FRONT SELECTION</b>			
<b>FRONT</b> <i>Estimated Lift: 10 - 50mm</i>	<b>PETROL &amp; DIESEL ENGINES</b>		
	PART NUMBER	QTY	UNIT PRICE \$
<b>SPRING: TO 50 KGS - 50mm</b>	<b>2851</b>	1	
NITROCHARGER SPORT	60018	2	
NITROCHARGER	N73 <span style="border: 1px solid black; padding: 0 2px;">3</span>		
<b>SPRING: 51 TO 110 KG - 50mm</b>	<b>2850</b>	1	
NITROCHARGER SPORT	*60070 / 60018	2	
NITROCHARGER	N73 <span style="border: 1px solid black; padding: 0 2px;">3</span>		
<b>SPRING: TO 110 KGS - 10mm</b>	<b>2861</b>	1	
NITROCHARGER SPORT	60070	2	
NITROCHARGER	N73 <span style="border: 1px solid black; padding: 0 2px;">3</span>		
<b>BP-51 SELECTION - Lift To 50mm</b>			
BP-51 SHOCK LC80 / LC105 FRONT	BP5160043	2	
BP-51 FIT KIT LC80 / LC105 FRONT	VM80010025	1	
TRIM PACKER	OME80PF05 <span style="border: 1px solid black; padding: 0 2px;">2</span>		
	OME80PF10		
STEERING DAMPER	OMESD24	1	
CASTER KIT	OMECA77B <span style="border: 1px solid black; padding: 0 2px;">1</span>		

**REMARKS:**

- 1** OMECA77B Caster Kit will increase caster angle by 2°. Check manufacturer's specifications to determine if OMECA77B Caster Kit is required.
- 2** Packers must be installed on the top of coil springs.
- 3** When remaining stock of N73 is exhausted no further product will be available.

## LANDCRUISER 105 SERIES & 80 SERIES WAGONS LIVE AXLE FRONT SUSPENSION MODELS

REAR SELECTION			
<b>REAR</b> <i>Estimated Lift: 20 - 50mm</i>	ALL MODELS		
	PART NUMBER	QTY	UNIT PRICE \$
<b>SPRING: MEDIUM LOAD</b>	<b>2860</b>	1	
NITROCHARGER SPORT	60020	2	
<b>SPRING: CONSTANT 200 KGS</b>	<b>2863</b>	1	
NITROCHARGER SPORT	60020	2	
<b>SPRING: CONSTANT 400 KGS</b>	<b>2864</b>	1	
NITROCHARGER SPORT	60071	2	
<b>SPRING: CONSTANT 600 KGS</b>	<b>2868</b>	1	
NITROCHARGER SPORT	60071	2	
<b>SPRING: MEDIUM 20mm LIFT</b>	<b>2862</b>	1	
NITROCHARGER SPORT	60020	2	
<b>BP-51 SELECTION - Lift To 50mm</b>			
BP-51 SHOCK LC80 / LC105 REAR	<b>BP5160013</b>	2	
BP-51 FIT KIT LC80 / LC105 REAR	<b>VM80010026</b>	1	
TRIM PACKER	OME80PR05	1	
	OME80PR10		
STONE GUARD KIT	OME661	1	
	OME662		

<b>REAR</b> <i>Estimated Lift: 50mm</i>	LPG CONVERSION		
	PART NUMBER	QTY	UNIT PRICE \$
<b>SPRING: MEDIUM LOAD</b>	<b>2860</b>	1	
NITROCHARGER SPORT	60020	2	
<b>SPRING: CONSTANT 200 KGS</b>	<b>2863</b>	1	
NITROCHARGER SPORT	60020	2	
<b>BP-51 SELECTION - Lift To 50mm</b>			
BP-51 SHOCK LC80 / LC105 REAR	<b>BP5160013</b>	2	
BP-51 FIT KIT LC80 / LC105 REAR	<b>VM80010026</b>	1	
TRIM PACKER	OME80PR05	1	
	OME80PR10		
STONE GUARD KIT	OME661	1	
	OME662		

**REMARKS:**

- 1** Packers must be installed on the top of coil springs.
- 2** OME662 or OME661 Lower Shock Mount Stone Guard is recommended fitment to protect against severe stone peppering encountered on loose road surfaces. OME662 will only fit Models with 34mm diameter control arms.

## LANDCRUISER 100 SERIES INDEPENDENT FRONT SUSPENSION

**\*\* DOES NOT SUIT AHC MODELS \*\***

<b>FRONT</b>	<b>PETROL &amp; DIESEL ENGINES</b>		
	PART NUMBER	QTY	UNIT PRICE \$
TORSION BARS: OVER 75 KGS	303001 <span style="float: right;">1</span>	1	
	303002		
<b>NITROCHARGER SPORT</b>	<b>*60001 / 60000</b>	2	
NITROCHARGER	N133 <span style="float: right;">6</span>		
FITTING KIT	FK27 <span style="float: right;">5</span>	1	

**REMARKS:**

**1** Raise or lower front end clearance and trim vehicle by adjusting front torsion bars. It is **important** that a minimum of 60mm of droop is maintained to prevent topping out of the front shock absorbers. 303001 suits V8 Models. 303002 suits Turbo Diesel Models.

NB: In some Middle Eastern Countries, 6 Cylinder Petrol LandCruiser 100 Series (IFS) use the longer turbo diesel torsion bars.

<b>REAR</b> <i>Estimated Lift: 10mm</i>	<b>ALL MODELS 10/2000 ON</b>		
	PART NUMBER	QTY	UNIT PRICE \$
<b>SPRING: MEDIUM LOAD</b>	<b>2860</b>	1	
NITROCHARGER SPORT	60002	2	
NITROCHARGER	N101 <span style="float: right;">6</span>		
<b>SPRING: CONSTANT 200 KGS</b>	<b>2863</b>	1	
NITROCHARGER SPORT	<b>*60003 / 60002</b>	2	
NITROCHARGER	N101 <span style="float: right;">6</span>		
<b>SPRING: CONSTANT 400 KGS</b>	<b>2864</b>	1	
NITROCHARGER SPORT	60003	2	
<b>SPRING: MEDIUM LOAD</b>	2866 <span style="float: right;">4</span>	1	
	2862		
NITROCHARGER SPORT	60002	2	
NITROCHARGER	N101 <span style="float: right;">6</span>		
TRIM PACKER	OME80PR05 <span style="float: right;">2</span>		
	OME80PR10		
STONE GUARD KIT	OME661 <span style="float: right;">3</span>	1	
	OME662		

**2** Packers must be installed on top of coils.

**3** SPORT/NITROCHARGER FITMENT: OME661 or OME662 (suits 40mm diameter control arms). Lower Shock Mount Stone Guard is recommended fitment to rear shocks to protect against severe stone peppering encountered on loose road

**4** Original rear rake is 60mm approximately with OE coil rates of 145lbs/in or 25.5N/mm. Customers wishing to lower the rear height but increase the load carrying ability can select from:

2866 - Reduces OE height by 10mm (rates 240 - 300lbs/in, 42 - 52.5N/mm)

2862 - Reduces OE height by 30mm (rates 240lbs/in, 42N/mm)

**5** Due to the common problem of the lower control arm cracking when driven under hard conditions, the fitment of a FK27 Lower Control Arm Reinforcing Bracket Kit is strongly recommended.

**6** When remaining stock of N101 and N133 is exhausted no further product will be available.

<b>REAR</b> <i>Estimated Lift: 40mm</i>	<b>10/98 TO 2000 V8 MODELS</b>		
	PART NUMBER	QTY	UNIT PRICE \$
<b>SPRING: MEDIUM LOAD</b>	<b>2865</b>	1	
NITROCHARGER SPORT	60002	2	
NITROCHARGER	N101 <span style="float: right;">6</span>		
<b>SPRING: CONSTANT 200 KGS</b>	<b>2866</b>	1	
NITROCHARGER SPORT	<b>*60003 / 60002</b>	2	
NITROCHARGER	N101 <span style="float: right;">6</span>		
TRIM PACKER	OME80PR05 <span style="float: right;">2</span>		
	OME80PR10		
STONE GUARD KIT	OME661 <span style="float: right;">3</span>	1	
	OME662		

## LANDCRUISER 200 SERIES WAGON\*

\*\* DOES NOT SUIT AHC MODELS \*\*

<b>FRONT SELECTION</b>						
<b>FRONT</b> <i>Estimated Lift: As Below</i>	ALL V8 DIESEL ENGINES			V8 PETROL ENGINE		
	PART NUMBER	QTY	UNIT PRICE \$	PART NUMBER	QTY	UNIT PRICE \$
<b>SPRING: NO WEIGHT: 25mm LIFT</b>	<b>2700</b>	1		<b>2704</b>	1	
STRUT - SPORT	90017	2		90017	2	
<b>SPRING: 100 KGS: 25mm LIFT</b>	<b>2701</b>	1		<b>2705</b>	1	
STRUT - SPORT	91005	2		91005	2	
<b>SPRING: NO WEIGHT: 50mm LIFT</b>	<b>2702</b>	1		<b>2700</b>	1	
STRUT - SPORT	90017	2		90017	2	
<b>SPRING: 100 KGS: 50mm LIFT</b>	<b>2703</b>	1		<b>2701</b>	1	
STRUT - SPORT	91005	2		91005	2	
UPPER CONTROL ARM	UCA0001	5		UCA0001	5	
UPPER STRUT BUSHES	OME3125	2		OME3125	2	
COIL PACKER	OME95PF5	3		OME95PF5	3	
STRUT TOP HAT KIT	OMETH003	4		OMETH003	4	
<b>BP-51 SELECTION - ALL MODELS</b>						
COIL OVER LC200 FRONT LH	BP5190003L	1		<b>ARMoured APPLICATION 4.5T</b>		
COIL OVER LC200 FRONT RH	BP5190003R	1		is available refer to page 22 for details		
BP KIT LC200 FRONT	VM80010003	1				

**REMARKS:**

- 1** OME coils and strut can only be installed together due to different winding of the lower coil end to suit the OME coil seat. They are not compatible with the OE Coil Seat. Due to the nature of the KDSS, Models fitted with KDSS may experience a characteristic 10mm to 15mm lean to the front right hand side.
- 2** No top mounting bushes supplied use OME3125. OE bushes may be re-used if in good condition.
- 3** To maintain ride height when front accessory weight exceeds 100kgs, OME95PF5 coil packer should be installed, each OME95PF5 will increase ride height by 10mm.
- 4** Strut Top Hat Kit may be required if original equipment is worn.
- 5** The OME Upper Control Arm will provide an increase between +2.5 and +3.5 degrees of caster and up to 1.5 degrees of negative camber increase (figures based off an approximate 50mm lift). Please note after fitment of Upper Control Arm a vehicle wheel alignment will be required.
- 6** When remaining stock of N208S is exhausted no further product will be available.

**SELECTION HINTS:**

\*For Fitment to Models with Toyota's KDSS (Kinetic Dynamic Suspension System) fitted, please refer to OME's Fitting Hints & Tips (OME Bulletin 70 LC200 KDSS Fitting Hints).

## LANDCRUISER 200 SERIES WAGON\*

\*\* DOES NOT SUIT AHC MODELS \*\*

<b>REAR SELECTION</b>			
<b>REAR</b> <i>Estimated Lift: As Below</i>	ALL MODELS		
	PART NUMBER	QTY	UNIT PRICE \$
<b>SPRING: MEDIUM LOAD: LESS 20mm</b>	<b>2720</b>	1	
NITROCHARGER SPORT	61029	2	
NITROCHARGER	N209 <span style="border: 1px solid black; padding: 0 2px;">3</span>		
<b>SPRING: MEDIUM LOAD: NO LIFT</b>	<b>2721</b>	1	
NITROCHARGER SPORT	61029	2	
NITROCHARGER	N209 <span style="border: 1px solid black; padding: 0 2px;">3</span>		
<b>SPRING: MEDIUM LOAD: 20mm LIFT</b>	<b>2722</b>	1	
<b>SPRING: MED: 20mm LIFT KDSS</b>	<b>3185</b>		
NITROCHARGER SPORT	61029	2	
NITROCHARGER	N209 <span style="border: 1px solid black; padding: 0 2px;">3</span>		
<b>SPRING: CONSTANT 200 KGS: 20mm</b>	<b>2723</b>	1	
<b>SPRING: 200 KGS: 20mm LIFT KDSS</b>	<b>3186</b>		
NITROCHARGER SPORT	61030	2	
<b>SPRING: CONSTANT 400 KGS: 20mm</b>	<b>2724</b>	1	
<b>SPRING: 400 KGS: 20mm LIFT KDSS</b>	<b>3187</b>		
NITROCHARGER SPORT	61030	2	
<b>SPRING: CONSTANT 600 KGS: 20mm</b>	<b>2725</b>	1	
<b>SPRING: 600 KGS: 20mm LIFT KDSS</b>	<b>3188</b>		
NITROCHARGER SPORT	61030	2	
TRIM PACKER	OME80PR05		
	OME80PR10		
STONE GUARD KIT	OME661 <span style="border: 1px solid black; padding: 0 2px;">1</span>	1	
SWAY BAR UPGRADE (33mm)	OMESTAB5 <span style="border: 1px solid black; padding: 0 2px;">2</span>		
<b>BP-51 SELECTION</b>			
SHOCK LC200 REAR	<b>BP5160026</b>	2	
SHOCK LC200 REAR (HEAVIER VALVED)	<b>*BP5160053</b>		
BP KIT LC200 REAR	<b>VM80010004</b>	1	
BP KIT LC200 KDSS REAR	<b>VM80010005</b>		

**ARMoured APPLICATION 4.5T**  
is available refer to page 22 for details

### SELECTION HINTS:

\*For Fitment to Models with Toyota's KDSS (Kinetic Dynamic Suspension System) fitted, please refer to OME's Fitting Hints & Tips (OME Bulletin 70 LC200 KDSS Fitting Hints).

### REMARKS:

- 1 OME661 Lower Shock Stone Guards are recommended fitment for protection against stone damage.
- 2 Not suitable for KDSS Models.
- 3 When remaining stock of N209 is exhausted no further product will be available.

## PRADO 150 SERIES 10/2017 ON LWB<sup>3</sup> COIL SPRUNG MODELS ONLY

<b>FRONT SELECTION</b>						
<b>FRONT</b> <i>Estimated Lift: 20mm</i>	V6 4.0L PETROL ENGINE			2.8L & 3.0L DIESEL ENGINE		
	PART NUMBER	QTY	UNIT PRICE \$	PART NUMBER	QTY	UNIT PRICE \$
<b>SPRING: NO BAR</b>	2883	1		2869	1	
STRUT - SPORT	90010	2		90010	2	
<b>SPRING: BAR ONLY</b>	2869	1		2884	1	
STRUT - SPORT	90010	2		90010	2	
<b>SPRING: BAR AND WINCH</b>	2884	1		2885	1	
STRUT - SPORT	90010	2		90010	2	
UPPER CONTROL ARM	UCA0004	5		UCA0004	5	
TRIM PACKER	OME95PF5	1		OME95PF5	1	
UPPER STRUT BUSHES	OME3133	2		OME3133	2	
STRUT TOP HAT KIT	OMETH002	4	2	OMETH002	4	2

<b>FRONT</b> <i>Estimated Lift: 40mm</i>	V6 4.0L PETROL ENGINE			2.8L & 3.0L DIESEL ENGINE		
	PART NUMBER	QTY	UNIT PRICE \$	PART NUMBER	QTY	UNIT PRICE \$
<b>SPRING: NO BAR</b>	2884	1		2885	1	
STRUT - SPORT	90010	2		90010	2	
<b>SPRING: BAR ONLY</b>	2885	1		2887	1	
STRUT - SPORT	90010	2		90010	2	
<b>SPRING: BAR AND WINCH</b>	2887	1		2888	1	
STRUT - SPORT	90010	2		90010	2	
UPPER CONTROL ARM	UCA0004	5		UCA0004	5	
TRIM PACKER	OME95PF5	1		OME95PF5	1	
UPPER STRUT BUSHES	OME3133	2		OME3133	2	
STRUT TOP HAT KIT	OMETH002	4	2	OMETH002	4	2
<b>BP-51 SELECTION Estimated Lift: 20 - 40mm NON KDSS MODELS</b>				<b>KDSS MODELS</b>		
BP-51 COIL OVER FRONT LH	BP5190002L	1		BP5190004L	1	
BP-51 COIL OVER FRONT RH	BP5190002R			BP5190002R		
BP-51 FIT KIT FRONT	VM80010008			VM80010009		

**REMARKS:**

- 1** Vehicles with KDSS, must have 1 x OME95PF5 packer installed on the front right hand side to maintain correct trim.
- 2** No top mounting bushes supplied use OME3133. OE bushes may be re-used if on good condition.
- 3** For fitment to Models with Toyota's KDSS (Kinetic Dynamic Suspension System) fitted excluding Kakadu Models, please refer to OME's Fitting Hints & Tips (OME Bulletin 70 LC200 KDSS Fitting Hints).
- 4** Strut Top Hat Kit may be required if original equipment is worn.
- 5** The OME Upper Control Arm will provide an increase between +2.5 and +3.5 degrees of caster and up to 1.5 degrees of negative camber increase (figures based off an approximate 50mm lift). Please note after fitment of Upper Control Arm a vehicle wheel alignment will be required.



## PRADO 150 SERIES 10/2017 ON LWB<sup>2</sup> COIL SPRUNG MODELS ONLY

REAR SELECTION			
REAR	LWB MODELS		
<i>Estimated Lift: 20mm</i>	PART NUMBER	QTY	UNIT PRICE \$
<b>SPRING: MEDIUM LOAD</b>	<b>2895E</b>	1	
NITROCHARGER SPORT	60080 <span style="border: 1px solid black; padding: 0 2px;">1</span>	2	
<b>SPRING: CONSTANT 200 KGS</b>	<b>2895</b>	1	
NITROCHARGER SPORT	*60081 / 60080 <span style="border: 1px solid black; padding: 0 2px;">1</span>	2	
<b>SPRING: CONSTANT 400 KGS</b>	<b>2896</b>	1	
NITROCHARGER SPORT	60081 <span style="border: 1px solid black; padding: 0 2px;">1</span>	2	
TRIM PACKER	OME150PR10		
STONE GUARD KIT	OME661 <span style="border: 1px solid black; padding: 0 2px;">1</span>	1	

**REMARKS:**

**1** OME661 Lower Shock Mount Stone Guard is recommended fitment to rear shocks to protect against severe stone pepping encountered on loose road surfaces.

**2** For Fitment to Models with Toyota's KDSS (Kinetic Dynamic Suspension System) fitted, please refer to OME's Fitting Hints & Tips (OME Bulletin 70 LC200 KDSS Fitting Hints).

REAR			
<i>Estimated Lift: 40mm</i>	LWB MODELS		
REAR	PART NUMBER	QTY	UNIT PRICE \$
<b>SPRING: MEDIUM LOAD</b>	<b>2889</b>	1	
NITROCHARGER SPORT	60080 <span style="border: 1px solid black; padding: 0 2px;">1</span>	2	
<b>SPRING: CONSTANT 200 KGS</b>	<b>2898</b>	1	
NITROCHARGER SPORT	*60081 / 60080 <span style="border: 1px solid black; padding: 0 2px;">1</span>	2	
<b>SPRING: CONSTANT 400 KGS</b>	<b>2899</b>	1	
NITROCHARGER SPORT	60081 <span style="border: 1px solid black; padding: 0 2px;">1</span>	2	
TRIM PACKER	OME150PR10		
STONE GUARD KIT	OME661 <span style="border: 1px solid black; padding: 0 2px;">1</span>	1	
<b>BP-51 SELECTION - ALL MODELS Estimated Lift: 20 - 40mm</b>			
BP-51 SHOCK REAR	BP5160025	2	
BP-51 FIT KIT REAR	VM80010010	1	

## PRADO 150 SERIES TO 09/2017 LWB<sup>3</sup> COIL SPRUNG MODELS ONLY

<b>FRONT SELECTION</b>						
<b>FRONT</b> <i>Estimated Lift: 30mm</i>	V6 4.0L PETROL ENGINE			2.8L & 3.0L DIESEL ENGINE		
	PART NUMBER	QTY	UNIT PRICE \$	PART NUMBER	QTY	UNIT PRICE \$
<b>SPRING: NO BAR</b>	2883	1		2883	1	
STRUT - SPORT	90010	2		90010	2	
<b>SPRING: BAR ONLY</b>	2883	1		2869	1	
STRUT - SPORT	90010	2		90010	2	
<b>SPRING: BAR AND WINCH</b>	2869	1		2884	1	
STRUT - SPORT	90010	2		90010	2	
UPPER CONTROL ARM	UCA0004	5		UCA0004	5	
TRIM PACKER	OME95PF5	1		OME95PF5	1	
UPPER STRUT BUSHES	OME3133	2		OME3133	2	
STRUT TOP HAT KIT	OMETH002	2		OMETH002	2	

<b>FRONT</b> <i>Estimated Lift: 50mm</i>	V6 4.0L PETROL ENGINE			2.8L & 3.0L DIESEL ENGINE		
	PART NUMBER	QTY	UNIT PRICE \$	PART NUMBER	QTY	UNIT PRICE \$
<b>SPRING: NO BAR</b>	2869	1		2884	1	
STRUT - SPORT	90010	2		90010	2	
<b>SPRING: BAR ONLY</b>	2884	1		2885	1	
STRUT - SPORT	90010	2		90010	2	
<b>SPRING: BAR AND WINCH</b>	2885	1		2887	1	
STRUT - SPORT	90010	2		90010	2	
UPPER CONTROL ARM	UCA0004	5		UCA0004	5	
TRIM PACKER	OME95PF5	1		OME95PF5	1	
UPPER STRUT BUSHES	OME3133	2		OME3133	2	
STRUT TOP HAT KIT	OMETH002	2		OMETH002	2	
<b>BP-51 SELECTION Estimated Lift: 30 - 50mm NON KDSS MODELS</b>				<b>KDSS MODELS</b>		
BP-51 COIL OVER FRONT LH	BP5190002L	1		BP5190004L	1	
BP-51 COIL OVER FRONT RH	BP5190002R			BP5190002R		
BP-51 FIT KIT FRONT	VM80010008			VM80010009		

**REMARKS:**

- 1** Vehicles with KDSS, must have 1 x OME95PF5 packer installed on the front right hand side to maintain correct trim.
- 2** No top mounting bushes supplied use OME3133. OE bushes may be re-used if on good condition.
- 3** For fitment to Models with Toyota's KDSS (Kinetic Dynamic Suspension System) fitted excluding Kakadu Models, please refer to OME's Fitting Hints & Tips (OME Bulletin 70 LC200 KDSS Fitting Hints).
- 4** When 2883 is fitted to Petrol Model, ride height increase will be approximately 40mm.
- 5** The OME Upper Control Arm will provide an increase between +2.5 and +3.5 degrees of caster and up to 1.5 degrees of negative camber increase (figures based off an approximate 50mm lift). Please note after fitment of Upper Control Arm a vehicle wheel alignment will be required.
- 6** Strut Top Hat Kit may be required if original equipment is worn.

## PRADO 150 SERIES TO 09/2017 LWB<sup>2</sup> COIL SPRUNG MODELS ONLY

REAR SELECTION			
REAR <i>Estimated Lift: 30mm</i>	LWB MODELS		
	PART NUMBER	QTY	UNIT PRICE \$
<b>SPRING: MEDIUM LOAD</b>	<b>2895E</b>	1	
NITROCHARGER SPORT	60080 <span style="border: 1px solid black; padding: 0 2px;">1</span>	2	
<b>SPRING: CONSTANT 200 KGS</b>	<b>2895</b>	1	
NITROCHARGER SPORT	*60081 / 60080 <span style="border: 1px solid black; padding: 0 2px;">1</span>	2	
<b>SPRING: CONSTANT 400 KGS</b>	<b>2896</b>	1	
NITROCHARGER SPORT	60081 <span style="border: 1px solid black; padding: 0 2px;">1</span>	2	
TRIM PACKER	OME150PR10		
STONE GUARD KIT	OME661 <span style="border: 1px solid black; padding: 0 2px;">1</span>	1	

**REMARKS:**

**1** OME661 Lower Shock Mount Stone Guard is recommended fitment to rear shocks to protect against severe stone pepping encountered on loose road surfaces.

**2** For Fitment to Models with Toyota's KDSS (Kinetic Dynamic Suspension System) fitted, please refer to OME's Fitting Hints & Tips (OME Bulletin 70 LC200 KDSS Fitting Hints).

REAR SELECTION			
REAR <i>Estimated Lift: 50mm</i>	LWB MODELS		
	PART NUMBER	QTY	UNIT PRICE \$
<b>SPRING: MEDIUM LOAD</b>	<b>2889</b>	1	
NITROCHARGER SPORT	60080 <span style="border: 1px solid black; padding: 0 2px;">1</span>	2	
<b>SPRING: CONSTANT 200 KGS</b>	<b>2898</b>	1	
NITROCHARGER SPORT	*60081 / 60080 <span style="border: 1px solid black; padding: 0 2px;">1</span>	2	
<b>SPRING: CONSTANT 400 KGS</b>	<b>2899</b>	1	
NITROCHARGER SPORT	60081 <span style="border: 1px solid black; padding: 0 2px;">1</span>	2	
TRIM PACKER	OME150PR10		
STONE GUARD KIT	OME661 <span style="border: 1px solid black; padding: 0 2px;">1</span>	1	
<b>BP-51 SELECTION - ALL MODELS Estimated Lift: 30 - 50mm</b>			
BP-51 SHOCK REAR	BP5160025	2	
BP-51 FIT KIT REAR	VM80010010	1	

## PRADO 150 SERIES SWB 2009 ON COIL SPRUNG MODELS ONLY

<b>FRONT</b> <i>Estimated Lift: 40mm</i>	V6 4.0L PETROL ENGINE			3.0L DIESEL ENGINE		
	PART NUMBER	QTY	UNIT PRICE \$	PART NUMBER	QTY	UNIT PRICE \$
<b>SPRING: NO BAR</b>	<b>2883</b>	1		<b>2869</b>	1	
STRUT - SPORT	90016 <span style="border: 1px solid black; padding: 0 2px;">2</span>	2		90016 <span style="border: 1px solid black; padding: 0 2px;">2</span>	2	
<b>SPRING: BAR ONLY</b>	<b>2869</b>	1		<b>2884</b>	1	
STRUT - SPORT	*90010 / 90016 <span style="border: 1px solid black; padding: 0 2px;">2</span>	2		*90010 / 90016 <span style="border: 1px solid black; padding: 0 2px;">2</span>	2	
<b>SPRING: BAR AND WINCH</b>	<b>2884</b>	1		<b>2885</b>	1	
STRUT - SPORT	90010 <span style="border: 1px solid black; padding: 0 2px;">2</span>	2		90010 <span style="border: 1px solid black; padding: 0 2px;">2</span>	2	
TRIM PACKER	OME95PF5 <span style="border: 1px solid black; padding: 0 2px;">1</span>			OME95PF5 <span style="border: 1px solid black; padding: 0 2px;">1</span>		
UPPER STRUT BUSHES	OME3133 <span style="border: 1px solid black; padding: 0 2px;">2</span>	2		OME3133 <span style="border: 1px solid black; padding: 0 2px;">2</span>	2	
STRUT TOP HAT KIT	OMETH002 <span style="border: 1px solid black; padding: 0 2px;">4</span>	2		OMETH002 <span style="border: 1px solid black; padding: 0 2px;">4</span>	2	

<b>REAR</b> <i>Estimated Lift: 40mm</i>	WAGON MODELS		
	PART NUMBER	QTY	UNIT PRICE \$
<b>SPRING: MEDIUM LOAD</b>	<b>2895E</b>	1	
NITROCHARGER SPORT	60086 <span style="border: 1px solid black; padding: 0 2px;">3</span>	2	
<b>SPRING: CONSTANT 200 KGS</b>	<b>2895</b>	1	
NITROCHARGER SPORT	*60080 / 60086 <span style="border: 1px solid black; padding: 0 2px;">3</span>	2	
<b>SPRING: CONSTANT 400 KGS</b>	<b>2896</b>	1	
NITROCHARGER SPORT	60080 <span style="border: 1px solid black; padding: 0 2px;">3</span>	2	
TRIM PACKER	OME150PR10		
STONE GUARD KIT	OME661 <span style="border: 1px solid black; padding: 0 2px;">3</span>	1	

**REMARKS:**

- 1** Vehicles with KDSS, **must** have 1 x OME95PF5 packer installed on the front right hand side to maintain correct trim.
- 2** No top mounting bushes supplied, use OME3133. OE bushes may be re-used if in good condition.
- 3** OME661 Lower Shock Mount Stone Guard is recommended fitment to rear shocks to protect against severe stone peppering encountered on loose road surfaces.
- 4** Strut Top Hat Kit may be required if original equipment is worn.

**PRADO 120 SERIES 4/2003 TO 2009 LWB & SWB**  
**EXCEPT TEMS MODEL (ELECTRONICALLY MODULATED SUSPENSION)**

<b>FRONT SELECTION</b>			
<b>FRONT</b> <i>Estimated Lift: 25mm</i>	PETROL & DIESEL ENGINES		
	PART NUMBER	QTY	UNIT PRICE \$
<b>SPRING: TO 50 KGS</b>	<b>2883</b>	1	1
STRUT - SPORT	*90000 / 90021	2	
STRUT	N140S	3	
<b>SPRING: 51 TO 100 KGS</b>	<b>2884</b>	1	1
STRUT - SPORT	90000	2	
STRUT	*N201S / N140S	3	
<b>SPRING: 101 TO 150 KGS</b>	<b>2885</b>	1	1
STRUT - SPORT	90000	2	
STRUT	N201S	3	
UPPER CONTROL ARM	UCA0004	5	
TRIM PACKER	OME95PF5		
UPPER STRUT BUSHES	OME3133	2	2
STRUT TOP HAT KIT	OMETH002	4	2
<b>BP-51 SELECTION</b>			
BP-51 COIL OVER PRADO FRONT LH	BP5190002L	1	
BP-51 COIL OVER PRADO FRONT RH	BP5190002R		
BP-51 FIT KIT PRADO 120 FRONT	VM80010029		

**REMARKS:**

- 1** To maintain front strut droop it is important front coils are selected as shown.
- 2** No top mounting bushes supplied, use OME3133. OE bushes may be re-used if in good condition.
- 3** When remaining stock of N140S, and N201S is exhausted no further product will be available.
- 4** Strut Top Hat Kit may be required if original equipment is worn.
- 5** The OME Upper Control Arm will provide an increase between +2.5 and +3.5 degrees of caster and up to 1.5 degrees of negative camber increase (figures based off an approximate 50mm lift). Please note after fitment of Upper Control Arm a vehicle wheel alignment will be required.

## PRADO 120 SERIES 4/2003 TO 2009 LWB & SWB EXCEPT TEMS MODEL (ELECTRONICALLY MODULATED SUSPENSION)

REAR SELECTION			
REAR <i>Estimated Lift: 40mm</i>	LWB MODEL		
	PART NUMBER	QTY	UNIT PRICE \$
<b>SPRING: MEDIUM LOAD</b>	<b>2895E</b>	1	
	<b>2895</b> <span style="float: right; border: 1px solid black; padding: 0 2px;">2</span>	1	
NITROCHARGER SPORT	*60004 / 60112	2	
NITROCHARGER	N141 <span style="float: right; border: 1px solid black; padding: 0 2px;">1</span>	2	
	N141 <span style="float: right; border: 1px solid black; padding: 0 2px;">3</span>	2	
<b>SPRING: 150 KGS - 400 KGS</b>	<b>2896</b>	1	
NITROCHARGER SPORT	*60005 / 60004	2	
NITROCHARGER	N202 <span style="float: right; border: 1px solid black; padding: 0 2px;">1</span>	2	
	N202 <span style="float: right; border: 1px solid black; padding: 0 2px;">3</span>	2	
<b>SPRING: CONSTANT 400 KGS</b>	<b>2897</b>	1	
NITROCHARGER SPORT	60005	2	
NITROCHARGER	N202 <span style="float: right; border: 1px solid black; padding: 0 2px;">1</span>	2	
	N202 <span style="float: right; border: 1px solid black; padding: 0 2px;">3</span>	2	
STONE GUARD KIT	OME661 <span style="float: right; border: 1px solid black; padding: 0 2px;">1</span>	1	
<b>BP-51 SELECTION</b>			
BP-51 SHOCK PRADO REAR	BP5160025	2	
BP-51 FIT KIT PRADO REAR	VM80010010	1	
REAR <i>Estimated Lift: 40mm</i>	SWB MODEL		
	PART NUMBER	QTY	UNIT PRICE \$
<b>SPRING: MEDIUM LOAD</b>	<b>2895E</b>	1	
NITROCHARGER SPORT	*60004 / 60112	2	
NITROCHARGER	N141 <span style="float: right; border: 1px solid black; padding: 0 2px;">1</span>	2	
	N141 <span style="float: right; border: 1px solid black; padding: 0 2px;">3</span>	2	
<b>SPRING: 150KGS - 250KGS</b>	<b>2895</b>	1	
NITROCHARGER SPORT	*60005 / 60004	2	
NITROCHARGER	N202 <span style="float: right; border: 1px solid black; padding: 0 2px;">1</span>	2	
	N202 <span style="float: right; border: 1px solid black; padding: 0 2px;">3</span>	2	
<b>SPRING: CONSTANT 400 KGS</b>	<b>2896</b>	1	
NITROCHARGER SPORT	60005	2	
NITROCHARGER	N202 <span style="float: right; border: 1px solid black; padding: 0 2px;">1</span>	2	
	N202 <span style="float: right; border: 1px solid black; padding: 0 2px;">3</span>	2	
STONE GUARD KIT	OME661 <span style="float: right; border: 1px solid black; padding: 0 2px;">1</span>	1	
<b>BP-51 SELECTION</b>			
BP-51 SHOCK PRADO REAR	BP5160025	2	
BP-51 FIT KIT PRADO REAR	VM80010010	1	

**REMARKS:**

- 1** OME661 Lower Shock Mount Stone Guard is recommended fitment to rear shocks to protect against severe stone pepping encountered on loose road surfaces.
- 2** 2895E suits LWB Models without OE 2nd fuel tank. 2895 suits LWB Models with OE 2nd fuel tank.
- 3** When remaining stock of N141 and N202 is exhausted no further product will be available.

## PRADO 90 SERIES TO 10/2002 LWB

<b>FRONT</b> <i>Estimated Lift: 40mm</i>	V6 PETROL ENGINE			DIESEL ENGINE		
	PART NUMBER	QTY	UNIT PRICE \$	PART NUMBER	QTY	UNIT PRICE \$
<b>SPRING: TO 50 KGS</b>	2880	1		2881	1	
STRUT - SPORT	90004	2		90004	2	
<b>SPRING: 51 TO 110 KGS</b>	2881	1		2882	1	
STRUT - SPORT	90004	2		90004	2	
TRIM PACKER	OME95PF5			OME95PF5		

<b>REAR</b> <i>Estimated Lift: 40mm</i>	ALL MODELS			<b>REMARKS:</b>  <b>1</b> To maintain front strut droop it is <b>important</b> front coils are selected as shown.  <b>2</b> OME661 Lower Shock Mount Stone Guard is recommended fitment to rear shocks to protect against severe stone pepping encountered on loose road surfaces.  <b>3</b> When remaining stock of N86 is exhausted no further product will be available.
	PART NUMBER	QTY	UNIT PRICE \$	
<b>SPRING: MEDIUM LOAD</b>	2890	1		
NITROCHARGER SPORT	60028	2		
NITROCHARGER	N86	3		
<b>SPRING: CONSTANT 150 KGS</b>	2891	1		
NITROCHARGER SPORT	*60027 / 60028	2		
NITROCHARGER	N86	3		
<b>SPRING: CONSTANT 300 KGS</b>	2892	1		
NITROCHARGER SPORT	60027	2		
NITROCHARGER	N86	3		
TRIM PACKER	OME80PF05			
	OME80PF10			
STONE GUARD KIT	OME661	2	1	

## TUNDRA 2007 ON

<b>FRONT</b>				
<i>Estimated Lift: 60mm</i>		PART NUMBER	QTY	UNIT PRICE \$
<b>SPRING: NO BAR</b>		<b>2612</b>	1	
STRUT SPORT		<b>90018</b>	2	
STRUT		N192S <span style="border: 1px solid black; padding: 0 2px;">1</span>		
<b>SPRING: BAR ONLY</b>		<b>2614</b>	1	
STRUT SPORT		<b>90018</b>	2	
STRUT		N192S <span style="border: 1px solid black; padding: 0 2px;">1</span>		
<b>SPRING: BAR &amp; WINCH</b>		<b>2613</b>	1	
STRUT SPORT		<b>90018</b>	2	
STRUT		N192S <span style="border: 1px solid black; padding: 0 2px;">1</span>		
<b>BP-51 SELECTION</b>				
BP-51 COIL OVER TUNDRA FRONT LH	<b>BP5190010L</b>	1		
BP-51 COIL OVER TUNDRA FRONT RH	<b>BP5190010R</b>			
BP-51 FIT KIT TUNDRA FRONT	<b>VM80010034</b>			
<b>REAR</b>				
<i>Estimated Lift: 60mm</i>		PART NUMBER	QTY	UNIT PRICE \$
<b>SPRING: MEDIUM LOAD</b>		<b>CS055R</b> <span style="border: 1px solid black; padding: 0 2px;">2</span> <span style="border: 1px solid black; padding: 0 2px;">4</span>	2	
NITROCHARGER SPORT		<b>60100</b>		
NITROCHARGER		N193		
<b>BP-51 SELECTION</b>				
BP-51 SHOCK TUNDRA REAR LH	<b>BP5160020L</b>	1		
BP-51 SHOCK TUNDRA REAR RH	<b>BP5160020R</b>			
BP-51 FIT KIT TUNDRA REAR	<b>VM80010035</b>			
XL LEAF	D28XL	2		
SPRING BUSH KIT	OMESB106 <span style="border: 1px solid black; padding: 0 2px;">4</span> <span style="border: 1px solid black; padding: 0 2px;">5</span>			
U BOLTS	OMEU53B	4		
FITTING KIT	FK32 <span style="border: 1px solid black; padding: 0 2px;">3</span>	1		
GREASABLE SHACKLE KIT	OMEGS22 <span style="border: 1px solid black; padding: 0 2px;">5</span>			

**REMARKS:**

- 1** No top mounting bushes supplied, re-use OE bushes.
- 2** Models with rear sway bar will require end link modifications to retain sway bar in operation.
- 3** FK32 Brake Line and ABS Wire Bracket Relocation Kit is a **mandatory** fitment.
- 4** Please note CS055R is supplied with bushes installed.
- 5** Only fit Greasable Shackle Kit if fitting OMESB106.



## FRONT

<b>FRONT</b>				
<i>Estimated Lift: 50mm</i>		PART NUMBER	QTY	UNIT PRICE \$
<b>SPRING: NO ACCESSORIES</b>		<b>2883</b>	1	
NITROCHARGER SPORT		*90010 / 90016 <span style="border: 1px solid black; padding: 0 2px;">1</span>	2	
<b>SPRING: TO 60 KGS</b>		<b>2884</b>	1	
NITROCHARGER SPORT		90010 <span style="border: 1px solid black; padding: 0 2px;">1</span>	2	
<b>SPRING: 60 TO 120 KGS</b>		<b>2885</b>	1	
NITROCHARGER SPORT		90010 <span style="border: 1px solid black; padding: 0 2px;">1</span>	2	
<b>BP-51 SELECTION</b>				
BP-51 COIL OVER FRONT LH	BP5190002L	1		
BP-51 COIL OVER FRONT RH	BP5190002R			
BP-51 FIT KIT FRONT	VM80010008			
UPPER CONTROL ARM	UCA0004 <span style="border: 1px solid black; padding: 0 2px;">4</span>			
TRIM PACKER	OME95PF5			
UPPER STRUT BUSHES	OME3133 <span style="border: 1px solid black; padding: 0 2px;">1</span>	2		
STRUT TOP HAT KIT	OMETH002 <span style="border: 1px solid black; padding: 0 2px;">3</span>	2		

**REMARKS:**

- 1** No top mounting bushes supplied, use OME3133. OE bushes may be re-used if in good condition.
- 2** OME661 lower shock mount guard is recommended fitment to rear shocks to protect against severe stone peppering encountered on loose road surfaces.
- 3** Strut Top Hat Kit may be required if original equipment is worn.
- 4** The OME Upper Control Arm will provide an increase between +2.5 and +3.5 degrees of caster and up to 1.5 degrees of negative camber increase (figures based off an approximate 50mm lift). Please note after fitment of Upper Control Arm a vehicle wheel alignment will be required.

## REAR

<b>REAR</b>		<b>ALL MODELS</b>		
<i>Estimated Lift: 50mm</i>		PART NUMBER	QTY	UNIT PRICE \$
<b>SPRING: LIGHT LOAD</b>		<b>2895E</b>	1	
NITROCHARGER SPORT		*60080 / 60086 <span style="border: 1px solid black; padding: 0 2px;">2</span>	2	
<b>SPRING: MEDIUM LOAD</b>		<b>2895</b>	1	
NITROCHARGER SPORT		*60081 / 60080 <span style="border: 1px solid black; padding: 0 2px;">2</span>	2	
<b>SPRING: CONSTANT 200 KGS</b>		<b>2896</b>	1	
NITROCHARGER SPORT		60081 <span style="border: 1px solid black; padding: 0 2px;">2</span>	2	
STONE GUARD KIT		OME661	1	
<b>BP-51 SELECTION</b>				
BP-51 SHOCK REAR	BP5160025	2		
BP-51 FIT KIT REAR	VM80010010	1		

## FRONT

<b>FRONT</b>			
<i>Estimated Lift: 50mm</i>		PART NUMBER	QTY
		UNIT PRICE \$	
<b>SPRING: NO ACCESSORIES</b>	<b>2883</b>		1
STRUT - SPORT	*90000 / 90021		2
STRUT	N140S	<span style="border: 1px solid black; padding: 0 2px;">1</span> <span style="border: 1px solid black; padding: 0 2px;">4</span>	
<b>SPRING: TO 60 KGS</b>	<b>2884</b>		1
STRUT - SPORT	90000		2
STRUT	N140S	<span style="border: 1px solid black; padding: 0 2px;">1</span> <span style="border: 1px solid black; padding: 0 2px;">4</span>	
<b>SPRING: 60 TO 120 KGS</b>	<b>2885</b>		1
STRUT - SPORT	90000		2
STRUT	N140S	<span style="border: 1px solid black; padding: 0 2px;">1</span> <span style="border: 1px solid black; padding: 0 2px;">4</span>	
UPPER CONTROL ARM	UCA0004	<span style="border: 1px solid black; padding: 0 2px;">5</span>	
TRIM PACKER	OME95PF5		
UPPER STRUT BUSHES	OME3133	<span style="border: 1px solid black; padding: 0 2px;">1</span>	
STRUT TOP HAT KIT	OMETH002	<span style="border: 1px solid black; padding: 0 2px;">3</span>	

**REMARKS:**

- 1** No top mounting bushes supplied, use OME3133. OE bushes may be re-used if in good condition.
- 2** OME661 lower shock mount guard is recommended fitment to rear shocks to protect against severe stone peppering encountered on loose road surfaces.
- 3** Strut Top Hat Kit may be required if original equipment is worn.
- 4** When remaining stock of N140S and N141 is exhausted no further product will be available.
- 5** The OME Upper Control Arm will provide an increase between +2.5 and +3.5 degrees of caster and up to 1.5 degrees of negative camber increase (figures based off an approximate 50mm lift). Please note after fitment of Upper Control Arm a vehicle wheel alignment will be required.

<b>REAR</b>		<b>ALL MODELS</b>	
<i>Estimated Lift: 50mm</i>		PART NUMBER	QTY
		UNIT PRICE \$	
<b>SPRING: LIGHT LOAD</b>	<b>2895E</b>		1
NITROCHARGER SPORT	*60004 / 60112		2
NITROCHARGER	N141	<span style="border: 1px solid black; padding: 0 2px;">4</span>	
<b>SPRING: MEDIUM LOAD</b>	<b>2895</b>		1
NITROCHARGER SPORT	*60004 / 60112		2
NITROCHARGER	N141	<span style="border: 1px solid black; padding: 0 2px;">4</span>	
<b>SPRING: CONSTANT 200 KGS</b>	<b>2896</b>		1
NITROCHARGER SPORT	60081		2
STONE GUARD KIT	OME661	<span style="border: 1px solid black; padding: 0 2px;">2</span>	1

## FORTUNER 2015 ON

FRONT <i>Estimated Lift: 35mm</i>	DIESEL ENGINE		
	PART NUMBER	QTY	UNIT PRICE \$
<b>SPRING: NO BAR</b>	2869 [1]	1	
STRUT - SPORT	90028 [2]	2	
<b>SPRING: BAR ONLY</b>	2884 [1]	1	
STRUT - SPORT	90028 [2]	2	
<b>SPRING: BAR &amp; WINCH</b>	2885 [1]	1	
STRUT - SPORT	90029 [2]	2	
<b>SPRING: BAR, WINCH &amp; ACCESSORIES</b>	2887 [1]	1	
STRUT - SPORT	90029 [2]	2	
TRIM PACKER	OME95PF5		
UPPER STRUT BUSHES	OME3133 [2]	2	
STRUT TOP HAT KIT	OMETH002 [3]	2	

**REMARKS:**

- 1** To maintain coil clearance from the sway Bar, the coil seat must be installed with the helix facing away from the sway bar.
- 2** No top mounting bushes supplied, use OME3133. OE bushes may be re-used if in good condition.
- 3** Strut Top Hat Kit may be required if original equipment is worn.
- 4** FK29 Rear Driveshaft Spacer is a **mandatory** fitment.

REAR <i>Estimated Lift: 25mm</i>	ALL MODELS		
	PART NUMBER	QTY	UNIT PRICE \$
<b>SPRING: MEDIUM LOAD</b>	2802	1	
NITROCHARGER SPORT	60141	2	
<b>SPRING: CONSTANT 200 KGS</b>	2803	1	
NITROCHARGER SPORT	60142	2	
REAR DRIVESHAFT SPACER	FK29 [4]	1	

## FORTUNER 2004 TO 2015

FRONT <i>Estimated Lift: 40mm</i>			
	PART NUMBER	QTY	UNIT PRICE \$
[3]			
<b>SPRING: TO 75 KGS</b>	2883	1	
STRUT - SPORT	*90002 / 90011 [1]	2	
<b>SPRING: 76 TO 120 KGS</b>	2884	1	
STRUT - SPORT	*90002 / 90011 [1]	2	
TRIM PACKER	OME95PF5		
UPPER STRUT BUSHES	OME3133 [1]		
STRUT TOP HAT KIT	OMETH002 [2]		

REAR <i>Estimated Lift: 40mm</i>	ALL MODELS		
	PART NUMBER	QTY	UNIT PRICE \$
<b>SPRING: MEDIUM LOAD</b>	2802	1	
NITROCHARGER SPORT	60078	2	
<b>SPRING: CONSTANT 200 KGS</b>	2803	1	
NITROCHARGER SPORT	60077	2	

**REMARKS:**

- 1** No top mounting bushes supplied, use OME3133. OE bushes may be re-used if in good condition.
- 2** Strut Top Hat Kit may be required if original equipment is worn.
- 3** When remaining stock of N166S is exhausted no further product will be available.

## LANDCRUISER 76 SERIES WAGON

<b>FRONT</b> <i>Estimated Lift: 50mm</i>	<b>V8 DIESEL ENGINE</b>		
PART NUMBER	QTY	UNIT PRICE \$	
<b>SPRING: TO 60 KGS</b>	<b>2856</b>	1	
NITROCHARGER SPORT	60008	2	
<b>SPRING: 61 TO 120 KGS</b>	<b>2859</b>	1	
NITROCHARGER SPORT	60008	2	
STEERING DAMPER	OMESD47		
CASTER KIT	OMECA77B	1	
SWAY BAR SPACER KIT	FK19	1	
UPGRADED FRONT SWAY BAR	OMESTAB3		
ABS WIRE BRACKET KIT	FK65	1	
<b>BP-51 SELECTION</b>			
SHOCK LC 76 FRONT	BP5160042	2	
BP KIT LC 76 FRONT	VM80010006	1	
<b>REAR</b> <i>Estimated Lift: 50mm</i>	<b>ALL MODELS</b>		
PART NUMBER	QTY	UNIT PRICE \$	
<b>SPRING: MEDIUM</b>	<b>CS057R</b>	2	
NITROCHARGER SPORT	60010	2	
<b>SPRING: CONSTANT 400 KGS</b>	<b>CS058R</b>	2	
NITROCHARGER SPORT	*60111 / 60011	2	
<b>SPRING: CONSTANT 800 KGS</b>	<b>CS070R</b>	2	
NITROCHARGER SPORT	60111	2	
<b>BP-51 SELECTION</b>			
SHOCK LC 76 REAR	BP5160028	2	
BP KIT LC 76 REAR	VM80010007	1	
SPRING BUSH KIT	OMESB86	2	
GREASABLE SHACKLE KIT	OMESB85		
GREASABLE SHACKLE FIXED END PIN KIT	OMEGB85	1	
ANTI-INVERSION KIT	OMEGB85	1	
U BOLTS	FK38	1	
STONE GUARD KIT	OMEU59B	4	
EXTRA LEAF	OMEU59D	4	
EXTRA LEAF SPACER KIT	D35XL	1	
CENTRE BOLT	ELSK13	2	
BRAKE PROPORTIONING BRACKET	REFER TO LEAF SPRING SERVICE PARTS page 174		
REAR BRAKE LINE DROP 2014 TO 08/16	FK51	1	
	FK58	1	
	FK82	1	

**REMARKS:**

- 1** OMECA77B Caster Kit will increase caster angle by 2°. Check manufacturer's specifications to determine if required.
- 2** Be sure to select OME Bush Kits carefully:  
  
OMESB85: Use for all Models when installing OME greasable shackles and pins.  
  
OMESB86: Use when original shackles and pins are used.
- 3** To prevent springs from inverting it is **mandatory** that either OMEGS19 Greasable Shackle Kit or FK38 Anti-Inversion Kit be installed.
- 4** Should the front drive shaft contact the sway bar when the suspension is at full droop, use FK19 Spacer Kit to pack the sway bar down.
- 5** OME661 Lower Shock Mount Stone Guard is recommended fitment to rear shocks to protect against severe stone pepping encountered on loose road surfaces.
- 6** FK51 and FK58 Brake Proportioning Valve Kits (included in BP-51 Fit Kit) suit vehicles prior to August 2016 production. FK51 is for medium load. FK58 is for 400kg and 800kg Spring.
- 7** For vehicles fitted with ABS brakes, an ABS Wire Bracket Kit must be fitted. FK65 suits vehicles prior to August 2016 production. For vehicles post August 2016 production refer to PIB No. 343.
- 8** For heavily loaded applications it may be necessary to step down one spring selection in the front to maintain correct rake.
- 9** Use OMEU59B when fitting CS070R springs.
- 10** Required to be fitted to vehicles from 10/14 To 08/16.
- 11** Does not fit with CS070R.
- 12** When remaining stock of N106 and N181 is exhausted no further product will be available.

## LANDCRUISER 70 SERIES DUAL CAB (Excludes 1GR-FE Models)

FRONT SELECTION						
FRONT <i>Estimated Lift: 40mm</i> <span style="float: right;">[6]</span>	PETROL & DIESEL 6 CYLINDER ENGINES			V8 DIESEL ENGINE		
	PART NUMBER	QTY	UNIT PRICE \$	PART NUMBER	QTY	UNIT PRICE \$
<b>SPRING: TO 50 KGS</b>	<b>2856</b> <span style="float: right;">[4] [5]</span>	1		<b>2859</b> <span style="float: right;">[4] [5]</span>	1	
NITROCHARGER SPORT	60008	2		60008	2	
<b>SPRING: 51 TO 120 KGS</b>	<b>2859</b> <span style="float: right;">[6] [5]</span>	1		<b>2853</b> <span style="float: right;">[6] [5]</span>	1	
NITROCHARGER SPORT	60008	2		60008	2	
STEERING DAMPER	OMESD24 <span style="float: right;">[2]</span>			OMESD47 <span style="float: right;">[2]</span>		
CASTER KIT	OMECA77B <span style="float: right;">[1]</span>	1		OMECA77B <span style="float: right;">[1]</span>	1	
SWAY BAR SPACER KIT	FK19 <span style="float: right;">[3]</span>			FK19 <span style="float: right;">[3]</span>		
TRIM PACKER	OME79PF10			OME79PF10		
UPGRADED FRONT SWAY BAR	NOT APPLICABLE	-		OMESTAB3		
ABS WIRE BRACKET KIT	FK65 <span style="float: right;">[5]</span>	1		FK65 <span style="float: right;">[5]</span>	1	
<b>BP-51 SELECTION</b>						
BP-51 SHOCK FRONT	BP5160042	2		BP5160042	2	
BP-51 FIT KIT FRONT	VM80010006	1		VM80010006	1	

**REMARKS:**

- 1** OMECA77B Caster Kit will increase caster angle by 2°. Check manufacturer's specifications to determine if OMECA77B kit is required.
- 2** OMESD47 suits 2007 On Models (open length 750mm).
- 3** Should the front drive shaft contact the sway bar when the suspension is at full droop, use FK19 Spacer Kit to pack the sway bar down.
- 4** For heavily loaded applications it may be necessary to step down one spring selection in the front to maintain correct rake.
- 5** For vehicles fitted with ABS brakes, an ABS Wire Bracket Kit must be fitted. FK65 suits vehicles prior to August 2016 production. For vehicles post August 2016 production refer to PIB No. 343.
- 6** When remaining stock of N181 is exhausted no further product will be available.

## LANDCRUISER 70 SERIES DUAL CAB (Excludes 1GR-FE Models)

REAR SELECTION			
REAR	70 SERIES DUAL CAB		
<i>Estimated Lift:</i> <i>All Models: 45mm</i>	PART NUMBER	QTY	UNIT PRICE \$
<b>SPRING: MEDIUM LOAD</b>	<b>EL1139R</b> <span style="border: 1px solid black; padding: 0 2px;">2</span> <span style="border: 1px solid black; padding: 0 2px;">4</span>	2	
NITROCHARGER SPORT	60010		
<b>SPRING: CONSTANT 300 KGS</b>	<b>EL114R</b> <span style="border: 1px solid black; padding: 0 2px;">2</span> <span style="border: 1px solid black; padding: 0 2px;">4</span>	2	
NITROCHARGER SPORT	60011		
<b>SPRING: CONSTANT 500 KGS</b>	<b>EL115R</b> <span style="border: 1px solid black; padding: 0 2px;">2</span> <span style="border: 1px solid black; padding: 0 2px;">4</span>	2	
NITROCHARGER SPORT	60011		
<b>SPRING: CONSTANT 700 KGS</b>	<b>EL116R</b> <span style="border: 1px solid black; padding: 0 2px;">2</span> <span style="border: 1px solid black; padding: 0 2px;">3</span> <span style="border: 1px solid black; padding: 0 2px;">4</span> <span style="border: 1px solid black; padding: 0 2px;">6</span>	2	
NITROCHARGER SPORT	60109		
<b>BP-51 SELECTION</b>			
BP-51 SHOCK REAR	BP5160028		
BP-51 SHOCK REAR LONG 682 (Suits EL116R Only)	BP5160052	2	
BP-51 FIT KIT REAR	VM80010007	1	
SPRING BUSH KIT	OMESB101 <span style="border: 1px solid black; padding: 0 2px;">1</span>	2	
	OMESB85 <span style="border: 1px solid black; padding: 0 2px;">1</span>		
GREASABLE SHACKLE KIT	OMEGS10	1	
GREASABLE SHACKLE FIXED END PIN KIT	OMEGP7		
U BOLTS	OMEU59B	4	
	OMEU59C <span style="border: 1px solid black; padding: 0 2px;">6</span>		
SWAY BAR	OMESTAB9 <span style="border: 1px solid black; padding: 0 2px;">3</span>		
SWAY BAR FIT KIT	FK77 <span style="border: 1px solid black; padding: 0 2px;">3</span>		
	FK76	1	
BRAKE PROPORTIONING KIT	FK51 <span style="border: 1px solid black; padding: 0 2px;">4</span>		
	FK58		
REAR BRAKE LINE DROP 2014 TO 08/16	FK82 <span style="border: 1px solid black; padding: 0 2px;">5</span>		
EXTRA LEAF	EL14XL	2	
EXTRA LEAF SPACER KIT	ELSK13		
CENTRE BOLT	REFER TO LEAF SPRING SERVICE PARTS page 174		
TRIM PACKER	ELSK06		

**REMARKS:**

- 1 OMESB101: Use on original shackles and pins. OMESB85: Use for all Models when installing OME greasable shackles and pins
- 2 Include tray weight in constant load calculation.
- 3 OMESTAB9 Sway Bar is highly recommended fitment when 700kg Constant Spring is used. Sway Bar can also be fitted to lighter rated springs to improve road handling. FK76 suits Models with OE axle sway bar mount. FK77 suits Models without OE sway bar provision.
- 4 FK51 and FK58 Brake Proportioning Valve Kits (included in BP-51 Fit Kit) suit vehicles prior to August 2016 production. FK51 is for medium load and 300kg spring. FK58 is for 500kg and 700kg spring. Due to variance in tray clearance on 70 Series Dual Cab please check vehicle before selecting Fit Kit.
- 5 Required to be fitted to vehicles from 10/14 to 08/16.
- 6 Use OMEU59C if fitting Extra Leaf to EL116R.

## LANDCRUISER 78 SERIES (Excludes 1GR-FE Models)

FRONT SELECTION						
FRONT	PETROL & DIESEL 6 CYLINDER ENGINES			V8 DIESEL ENGINE		
	PART NUMBER	QTY	UNIT PRICE \$	PART NUMBER	QTY	UNIT PRICE \$
<i>Estimated Lift: 40mm</i> <span style="float: right;">6</span>						
<b>SPRING: TO 50 KGS</b>	<b>2856</b> <span style="float: right;">4 5</span>	1		<b>2859</b> <span style="float: right;">4 5</span>	1	
NITROCHARGER SPORT	60008	2		60008	2	
<b>SPRING: 51 TO 120 KGS</b>	<b>2859</b> <span style="float: right;">4 5</span>	1		<b>2853</b> <span style="float: right;">4 5</span>	1	
NITROCHARGER SPORT	60008	2		60008	2	
STEERING DAMPER	OMESD24 <span style="float: right;">3</span>	1		OMESD47	1	
	OMESD47					
CASTER KIT	OMECA77B <span style="float: right;">1</span>			OMECA77B <span style="float: right;">1</span>		
SWAY BAR SPACER KIT	FK19 <span style="float: right;">2</span>			FK19 <span style="float: right;">2</span>		
TRIM PACKER	OME79PF10			OME79PF10		
UPGRADED FRONT SWAY BAR	NOT APPLICABLE	-		OMESTAB3	1	
ABS WIRE BRACKET KIT	FK65 <span style="float: right;">5</span>	1		FK65 <span style="float: right;">5</span>		
<b>BP-51 SELECTION - ALL MODELS</b>						
SHOCK LC 78 FRONT	BP5160042	2		BP5160042	2	
BP KIT LC 78 FRONT	VM80010006	1		VM80010006	1	

**REMARKS:**

- 1** OMECA77B Caster Kit will increase caster angle by 2°. Check manufacturer's specifications to determine if OMECA77B kit is required.
- 2** Should the front drive shaft contact the sway bar when the suspension is at full droop, use FK19 Spacer Kit to pack the sway bar down.
- 3** OMESD24 suits pre 2007 Models (open length 651mm). OMESD47 suits 2007 On Models (open length 750mm).
- 4** For heavily loaded applications it may be necessary to step down one spring selection in the front to maintain correct rake.
- 5** For vehicles fitted with ABS brakes, an ABS Wire Bracket Kit must be fitted. FK65 suits vehicles prior to August 2016 production. For vehicles post August 2016 production refer to PIB No. 343.
- 6** When remaining stock of N181 is exhausted no further product will be available.

## LANDCRUISER 78 SERIES (Excludes 1GR-FE Models)

REAR SELECTION			
REAR	78 SERIES TROOP CARRIER		
<i>Estimated Lift:</i> <i>All Models: 45mm</i>	PART NUMBER	QTY	UNIT PRICE \$
<b>SPRING: CONSTANT 200 KGS</b>	<b>EL113R</b> <span style="border: 1px solid black; padding: 0 2px;">2</span> <span style="border: 1px solid black; padding: 0 2px;">4</span>	2	
NITROCHARGER SPORT	60010		
<b>SPRING: CONSTANT 400 KGS</b>	<b>EL114R</b> <span style="border: 1px solid black; padding: 0 2px;">2</span> <span style="border: 1px solid black; padding: 0 2px;">4</span>	2	
NITROCHARGER SPORT	60011		
<b>SPRING: CONSTANT 600 KGS</b>	<b>EL115R</b> <span style="border: 1px solid black; padding: 0 2px;">2</span> <span style="border: 1px solid black; padding: 0 2px;">4</span>	2	
NITROCHARGER SPORT	60011		
<b>SPRING: CONSTANT 800 KGS</b>	<b>EL116R</b> <span style="border: 1px solid black; padding: 0 2px;">3</span> <span style="border: 1px solid black; padding: 0 2px;">4</span> <span style="border: 1px solid black; padding: 0 2px;">5</span>	2	
NITROCHARGER SPORT	60109		
<b>BP-51 SELECTION</b>			
SHOCK LC 78 REAR	BP5160028		
SHOCK LC 78 REAR LONG 682 (Suits EL116R Only)	BP5160052	2	
BP KIT LC 78 REAR	VM80010007	1	
SPRING BUSH KIT	OMESB86 <span style="border: 1px solid black; padding: 0 2px;">1</span>	2	
	OMESB85 <span style="border: 1px solid black; padding: 0 2px;">1</span>		
GREASABLE SHACKLE KIT	OMEGS19	1	
GREASABLE SHACKLE FIXED END PIN KIT	OMEGP7		
U BOLTS	OMEU59B	4	
	OMEU59C <span style="border: 1px solid black; padding: 0 2px;">5</span>		
SWAY BAR	OMESTAB9 <span style="border: 1px solid black; padding: 0 2px;">2</span> <span style="border: 1px solid black; padding: 0 2px;">3</span>		
SWAY BAR FIT KIT	FK77 <span style="border: 1px solid black; padding: 0 2px;">3</span>		
	FK76 <span style="border: 1px solid black; padding: 0 2px;">3</span>	1	
SWAY BAR EXTENSION BRACKET KIT	FK34 <span style="border: 1px solid black; padding: 0 2px;">3</span>		
BRAKE PROPORTIONING KIT	FK51 <span style="border: 1px solid black; padding: 0 2px;">4</span>		
	FK58 <span style="border: 1px solid black; padding: 0 2px;">4</span>		
EXTRA LEAF	EL14XL	2	
EXTRA LEAF SPACER KIT	ELSK13		
CENTRE BOLT	REFER TO LEAF SPRING SERVICE PARTS page 174		
TRIM PACKER	ELSK06		
REAR BRAKE LINE DROP <b>REQUIRED ON MODELS 10/14 TO 08/16</b>	FK82	1	

**REMARKS:**

- 1 OMESB85: Use for all Models when installing OME greasable shackles and pins. OMESB86: Use for Troop Carrier Models when original shackles and pins are used.
- 2 FK34 Sway Bar Extension Bracket Kit must be installed to prevent damage to sway bar mounts, due to increased suspension travel. FK34 not needed if fitting OMESTAB9.
- 3 OMESTAB9 Sway Bar is highly recommended fitment when 800kg Constant Spring is used. Sway Bar can also be fitted to lighter rated springs to improve road handling. FK76 suits Models with OE axle sway bar mount. FK77 suits Models without OE sway bar provision.
- 4 FK51 and FK58 Brake Proportioning Valve Kits (included in BP-51 Fit Kit) suit vehicles prior to August 2016 production. FK51 is for 200kg and 400kg Spring. FK58 is for 600kg and 800kg Spring.
- 5 Use OMEU59C if fitting Extra Leaf to EL116R.



## LANDCRUISER 79 SERIES SINGLE CAB (Excludes 1GR-FE Models)

<b>FRONT SELECTION</b>						
<b>FRONT</b> <i>Estimated Lift: 40mm</i> <span style="float: right; border: 1px solid black; padding: 0 2px;">6</span>	PETROL & DIESEL 6 CYLINDER ENGINES			V8 DIESEL ENGINE		
	PART NUMBER	QTY	UNIT PRICE \$	PART NUMBER	QTY	UNIT PRICE \$
<b>SPRING: TO 50 KGS</b>	<b>2856</b> <span style="float: right; border: 1px solid black; padding: 0 2px;">4 5</span>	1		<b>2859</b> <span style="float: right; border: 1px solid black; padding: 0 2px;">4 5</span>	1	
NITROCHARGER SPORT	60008	2		60008	2	
<b>SPRING: 51 TO 120 KGS</b>	<b>2859</b> <span style="float: right; border: 1px solid black; padding: 0 2px;">4 5</span>	1		<b>2853</b> <span style="float: right; border: 1px solid black; padding: 0 2px;">4 5</span>	1	
NITROCHARGER SPORT	60008	2		60008	2	
STEERING DAMPER	OMESD24 <span style="float: right; border: 1px solid black; padding: 0 2px;">2</span>	1		OMESD47	1	
	OMESD47					
CASTER KIT	OMECA77B <span style="float: right; border: 1px solid black; padding: 0 2px;">1</span>			OMECA77B <span style="float: right; border: 1px solid black; padding: 0 2px;">1</span>		
SWAY BAR SPACER KIT	FK19 <span style="float: right; border: 1px solid black; padding: 0 2px;">3</span>			FK19 <span style="float: right; border: 1px solid black; padding: 0 2px;">3</span>		
TRIM PACKER	OME79PF10			OME79PF10		
UPGRADED FRONT SWAY BAR	NOT APPLICABLE	-		OMESTAB3	1	
ABS WIRE BRACKET KIT	FK65 <span style="float: right; border: 1px solid black; padding: 0 2px;">5</span>	1		FK65 <span style="float: right; border: 1px solid black; padding: 0 2px;">5</span>	1	
<b>BP-51 SELECTION - ALL MODELS</b>						
SHOCK LC 79 FRONT	BP5160042	2		BP5160042	2	
BP KIT LC 79 FRONT	VM80010006	1		VM80010006	1	

**REMARKS:**

- 1 OMECA77B Caster Kit will increase caster angle by 2°. Check manufacturer's specifications to determine if OMECA77B kit is required.
- 2 OMESD24 suits pre 2007 Models (open length 651mm). OMESD47 suits 2007 On Models (open length 750mm).
- 3 Should the front drive shaft contact the sway bar when the suspension is at full droop, use FK19 Spacer Kit to pack the sway bar down.
- 4 For heavily loaded applications it may be necessary to step down one spring selection in the front to maintain correct rake.
- 5 For vehicles fitted with ABS brakes, an ABS Wire Bracket Kit must be fitted. FK65 suits vehicles prior to August 2016 production. For vehicles post August 2016 production refer to PIB No. 343.
- 6 When remaining stock of N181 is exhausted no further product will be available.

## LANDCRUISER 79 SERIES SINGLE CAB (Excludes 1GR-FE Models)

REAR SELECTION			
REAR	79 SERIES SINGLE CAB		
<i>Estimated Lift:</i> <i>All Models: 45mm</i>	PART NUMBER	QTY	UNIT PRICE \$
<b>SPRING: CONSTANT 200 KGS</b>	<b>EL113R</b> <span style="border: 1px solid black; padding: 0 2px;">2</span> <span style="border: 1px solid black; padding: 0 2px;">4</span>	2	
NITROCHARGER SPORT	60010		
<b>SPRING: CONSTANT 400 KGS</b>	<b>EL114R</b> <span style="border: 1px solid black; padding: 0 2px;">2</span> <span style="border: 1px solid black; padding: 0 2px;">4</span>	2	
NITROCHARGER SPORT	60011		
<b>SPRING: CONSTANT 600 KGS</b>	<b>EL115R</b> <span style="border: 1px solid black; padding: 0 2px;">2</span> <span style="border: 1px solid black; padding: 0 2px;">4</span>	2	
NITROCHARGER SPORT	60011		
<b>SPRING: CONSTANT 800 KGS</b>	<b>EL116R</b> <span style="border: 1px solid black; padding: 0 2px;">2</span> <span style="border: 1px solid black; padding: 0 2px;">3</span> <span style="border: 1px solid black; padding: 0 2px;">4</span> <span style="border: 1px solid black; padding: 0 2px;">6</span>	2	
NITROCHARGER SPORT	60109		
<b>BP-51 SELECTION</b>			
SHOCK LC 79 REAR	BP5160028		
SHOCK LC 79 REAR LONG 682 (Suits EL116R Only)	BP5160052	2	
BP KIT LC 79 REAR	VM80010007	1	
SPRING BUSH KIT	OMESB101 <span style="border: 1px solid black; padding: 0 2px;">1</span>	2	
	OMESB84 <span style="border: 1px solid black; padding: 0 2px;">1</span>		
	OMESB85 <span style="border: 1px solid black; padding: 0 2px;">1</span>		
GREASABLE SHACKLE KIT	OMEGS10	1	
GREASABLE SHACKLE FIXED END PIN KIT	OMEGP7		
U BOLTS	OMEU59B <span style="border: 1px solid black; padding: 0 2px;">6</span>	4	
	OMEU59C <span style="border: 1px solid black; padding: 0 2px;">6</span>		
SWAY BAR	OMESTAB9 <span style="border: 1px solid black; padding: 0 2px;">3</span>	1	
SWAY BAR FIT KIT	FK77 <span style="border: 1px solid black; padding: 0 2px;">3</span>		
	FK76 <span style="border: 1px solid black; padding: 0 2px;">3</span>		
BRAKE PROPORTIONING KIT	FK51 <span style="border: 1px solid black; padding: 0 2px;">4</span>		
	FK58 <span style="border: 1px solid black; padding: 0 2px;">4</span>		
REAR BRAKE LINE DROP 10/14 TO 08/16	FK82		
EXTRA LEAF	EL14XL	2	
EXTRA LEAF SPACER KIT	ELSK13		
CENTRE BOLT	REFER TO LEAF SPRING SERVICE PARTS page 174		
TRIM PACKER	ELSK06		

**REMARKS:**

- 1 OMESB101: Use on original shackles and pins for 79 Series Models from 07/2009 On. OMESB84: Use on original shackles and pins for 79 Series Models To 06/2009. OMESB85: Use for all Models when installing OME greasable shackles and pins.
- 2 Include tray weight in constant load calculation.
- 3 OMESTAB9 Sway Bar is highly recommended fitment when 800kg Constant Spring is used. Sway Bar can also be fitted to lighter rated springs to improve road handling. FK76 suits Models with OE axle sway bar mount. FK77 suits Models without OE sway bar provision.
- 4 For vehicles fitted with ABS brakes an ABS Wire Bracket Kit must be fitted. FK51 and FK58 are included in BP-51 Fit Kit. FK51 is for 200kg and 400kg Spring. FK58 is for 600kg and 800kg Spring. Due to Variance in tray clearance on 79 Series please check vehicle before selecting Fit Kit.
- 5 Required to be fitted to vehicles from 10/14 To 08/16.
- 6 Use OMEU59C if fitting Extra Leaf to EL116R.

## LANDCRUISER 75 SERIES (Excludes 1GR-FE Models)

FRONT <i>Estimated Lift: 50mm</i>	PETROL ENGINE			DIESEL ENGINE		
	PART NUMBER	QTY	UNIT PRICE \$	PART NUMBER	QTY	UNIT PRICE \$
<b>SPRING: TO 50 KGS</b>	<b>CS006F</b> <span style="border: 1px solid black; padding: 0 2px;">1 2</span>	2		<b>CS006F</b> <span style="border: 1px solid black; padding: 0 2px;">2</span>	2	
NITROCHARGER SPORT	60009 <span style="border: 1px solid black; padding: 0 2px;">6</span>			60009 <span style="border: 1px solid black; padding: 0 2px;">6</span>		
<b>SPRING: 51 TO 110 KGS</b>	<b>CS006F</b> <span style="border: 1px solid black; padding: 0 2px;">2</span>	2		<b>CS007F</b> <span style="border: 1px solid black; padding: 0 2px;">2</span>	2	
NITROCHARGER SPORT	60063			60063		
U BOLTS	OMEU51	4		OMEU51	4	
SPRING BUSH KIT	OMESB1	2		OMESB1	2	
GREASABLE SHACKLE KIT	OMEGS2	1		OMEGS2	1	
GREASABLE SHACKLE FIXED END PIN KIT	OMEGP1			OMEGP1		
STEERING DAMPER	OMESD24			OMESD24		
ANTI INVERSION KIT	FK08 <span style="border: 1px solid black; padding: 0 2px;">2</span>			FK08 <span style="border: 1px solid black; padding: 0 2px;">2</span>		
EXTRA LEAF	D16XL <span style="border: 1px solid black; padding: 0 2px;">5</span>	2		D16XL <span style="border: 1px solid black; padding: 0 2px;">5</span>	2	
CENTRE BOLT	UCB5			UCB5		

REAR <i>Estimated Lift: 50mm</i>	ALL MODELS			
	PART NUMBER	QTY	UNIT PRICE \$	
<b>SPRING: MEDIUM LOAD</b>	<b>CS006R</b> <span style="border: 1px solid black; padding: 0 2px;">2 4</span>	2		
NITROCHARGER SPORT	60010			
<b>SPRING: CONSTANT 400 KGS</b>	<b>CS007R</b> <span style="border: 1px solid black; padding: 0 2px;">2 4</span>	2		
NITROCHARGER SPORT	60011			
<b>SPRING: CONSTANT 600 KGS</b>	<b>CS008R</b> <span style="border: 1px solid black; padding: 0 2px;">2 4</span>	2		
NITROCHARGER SPORT	60011			
SPRING BUSH KIT	OMESB16	2		
U BOLTS	OMEU59B	4		
GREASABLE SHACKLE KIT	OMEGS1	1		
GREASABLE SHACKLE FIXED END PIN KITS	OMEGP2 <span style="border: 1px solid black; padding: 0 2px;">3</span>			OMEGP2
	OMEGP4			OMEGP4
ANTI INVERSION KIT	FK08 <span style="border: 1px solid black; padding: 0 2px;">2</span>			
EXTRA LEAF	D25XL	2		
CENTRE BOLT	UCB4			

### REMARKS:

- 1** Vehicles with no front accessory weight will require the removal of the 4th leaf from the top of the spring stack. This is to maintain good shackle angle by not allowing the bump stop measurement to exceed 100mm.
- 2** Shackles: FK08 Anti Inversion Kit is mandatory fitment front and rear if greasable shackles are not fitted.  
  
Note: Spring Caster Wedge OMECW2 (2° Caster Wedges) may be required to restore positive caster angle. Front end alignment check will indicate required adjustment.
- 3** There can be 2 spigot sizes in the rear fixed end pins on 75 Series LandCruisers.  
Check for correct size before ordering greasable pins. Part numbers are:  
50mm spigot = OMEGP2.  
51mm spigot = OMEGP4.
- 4** Include tray weight in constant load calculation.
- 5** D16XL is suitable for CS006F.
- 6** When remaining stock of N92 is exhausted no further product will be available.

## LANDCRUISER HZJ71 & HZJ74 SWB & MWB MODELS TO 2007

<b>FRONT</b> <i>Estimated Lift: 50mm</i>	<b>DIESEL 4.2 ENGINES</b>		
	PART NUMBER	QTY	UNIT PRICE \$
<b>SPRING: TO 50 KGS</b>	<b>2856</b>	1	
NITROCHARGER SPORT	60008	2	
<b>SPRING: 51 TO 110 KGS</b>	<b>2859</b>	1	
NITROCHARGER SPORT	60008	2	
STEERING DAMPER	OMESD24	1	
CASTER KIT	OMECA77B	1	

<b>REAR</b> <i>Estimated Lift: 60mm</i>	<b>ALL MODELS</b>		
	PART NUMBER	QTY	UNIT PRICE \$
<b>SPRING: MEDIUM LOAD</b>	<b>CS017RB</b>	2	
NITROCHARGER SPORT	60044		
<b>SPRING: CONSTANT 250 KGS</b>	<b>CS004RB</b>	2	
NITROCHARGER SPORT	60044		
SPRING BUSH KIT	OMESB93	2	
U BOLTS	OMEU59A	4	
GREASABLE SHACKLE KIT	OMEGS10	1	
GREASABLE SHACKLE FIXED END PIN KIT	OMEGP7	1	
EXTRA LEAF	D2XL	2	
CENTRE BOLT	UCB2		

**REMARKS:**

- 1** OMECA77B caster kit will increase caster angle by 3°. Check manufacturer's specifications to determine if OMECA77B kit is required.
- 2** If rear bump stop measurements exceed 150mm remove 3rd leaf.
- 3** OME greasable shackles OMEGS10 & greasable shackle fixed end pin kit OMEGP7 are **mandatory** fitment. OE shackles cannot be used.
- 4** D2XL extra leaf and UCB2 centre bolt is suitable for CS004RB spring.

## LANDCRUISER II WAGON LWB

<b>FRONT</b> <i>Estimated Lift: 30mm</i>			
	PART NUMBER	QTY	UNIT PRICE \$
<b>SPRING: TO 50 KGS</b>	<b>2872</b>	1	
NITROCHARGER SPORT	60089	2	
<b>SPRING: 51 TO 110 KGS</b>	<b>2874</b>	1	
NITROCHARGER SPORT	60089	2	

<b>REAR</b> <i>Estimated Lift: 40mm</i>	<b>ALL MODELS</b>		
	PART NUMBER	QTY	UNIT PRICE \$
<b>SPRING: MEDIUM LOAD</b>	<b>2873</b>	1	
NITROCHARGER SPORT	60090	2	
<b>SPRING: CONSTANT 100 KGS</b>	<b>2875</b>	1	
NITROCHARGER SPORT	60090	2	

## BUNDERA RJ70 11/1984 TO 1990

FRONT <i>Estimated Lift: 40mm</i>	PETROL & DIESEL ENGINES		
	PART NUMBER	QTY	UNIT PRICE \$
<b>SPRING: TO 50 KGS</b>	<b>2870</b>	1	
NITROCHARGER SPORT	60094	2	
<b>SPRING: 51 TO 110 KGS</b>	<b>2876</b>	1	
NITROCHARGER SPORT	60094	2	

REAR <i>Estimated Lift: 50mm</i>	ALL MODELS		
	PART NUMBER	QTY	UNIT PRICE \$
<b>SPRING: MEDIUM LOAD</b>	<b>2871</b>	1	
NITROCHARGER SPORT	60095		
	60096		

**REMARKS:**

- 1 60095 fits left hand side.  
60096 fits right hand side.

## LANDCRUISER 70, 73, 74 SERIES SWB & MWB

FRONT <i>Estimated Lift: 50mm</i>	PETROL & DIESEL ENGINES		
	PART NUMBER	QTY	UNIT PRICE \$
<b>SPRING: TO 50 KGS</b>	<b>CS006F</b>	2	
NITROCHARGER SPORT	60009		
<b>SPRING: 51 TO 110 KGS</b>	<b>CS006F</b>	2	
NITROCHARGER SPORT	60009		
SPRING BUSH KIT	OMESB1	2	
U BOLTS	OMEU51	4	
GREASABLE SHACKLE KIT	OMEGS2	1	
GREASABLE SHACKLE FIXED END PIN KIT	OMEGP1		
STEERING DAMPER	OMESD24		
ANTI INVERSION KIT	FK08		

REAR <i>Estimated Lift: 50mm</i>	ALL MODELS		
	PART NUMBER	QTY	UNIT PRICE \$
<b>SPRING: MEDIUM LOAD</b>	<b>CS017RA / B</b>	1 + 1	
NITROCHARGER SPORT	60062	2	
<b>SPRING: CONSTANT 200 KGS</b>	<b>CS004RA / B</b>	1 + 1	
NITROCHARGER SPORT	60062	2	
SPRING BUSH KIT	OMESB1	2	
U BOLTS	OMEU59A	4	
GREASABLE SHACKLE KIT	OMEGS2	1	
GREASABLE SHACKLE FIXED END PIN KITS	OMEGP2		
	OMEGP4		
ANTI INVERSION KIT	FK08		
EXTRA LEAF	D2XL	2	
CENTRE BOLT	UCB2		

**REMARKS:**

- 1 Vehicles with no front accessory weight will require the removal of the 4th leaf from the top of the spring stack. This is to maintain good shackle angle by not allowing the bump stop measurement to exceed 100mm.
- 2 If bump stop measurement exceeds 150 - 160mm remove 3rd leaf from top of spring stack to prevent shock absorber from topping out.
- 3 Shackles: FK08 Anti Inversion Kit is **mandatory** fitment front and rear if greasable shackles are not fitted. Note: Spring Caster Wedge OMECW2 (2° Caster Wedges) may be required to restore positive caster angle. Front end alignment check will indicate required adjustment.
- 4 There can be 2 spigot sizes of the rear fixed end pins. Check spigot size before ordering greasable pins.  
50mm spigot = OMEGP2  
51mm spigot = OMEGP4
- 5 When remaining stock of N85 and N92 is exhausted no further product will be available.
- 6 D2XL extra leaf and UCB2 centre bolt are suitable for CS004RA/B springs.

## LANDCRUISER 60, 61 & 62 SERIES

FRONT <i>Estimated Lift: 50mm</i>	PETROL ENGINE			DIESEL ENGINE		
	PART NUMBER	QTY	UNIT PRICE \$	PART NUMBER	QTY	UNIT PRICE \$
<b>SPRING: TO 50 KGS</b>	<b>CS003F</b> <span style="border: 1px solid black; padding: 0 2px;">1</span> <span style="border: 1px solid black; padding: 0 2px;">2</span> <span style="border: 1px solid black; padding: 0 2px;">7</span>	2		<b>CS004F</b> <span style="border: 1px solid black; padding: 0 2px;">1</span> <span style="border: 1px solid black; padding: 0 2px;">2</span> <span style="border: 1px solid black; padding: 0 2px;">7</span>	2	
NITROCHARGER SPORT	60009 <span style="border: 1px solid black; padding: 0 2px;">8</span>			60009		
<b>SPRING: 51 TO 110 KGS</b>	<b>CS004F</b> <span style="border: 1px solid black; padding: 0 2px;">1</span> <span style="border: 1px solid black; padding: 0 2px;">2</span> <span style="border: 1px solid black; padding: 0 2px;">7</span>	2		<b>CS005F</b> <span style="border: 1px solid black; padding: 0 2px;">1</span> <span style="border: 1px solid black; padding: 0 2px;">2</span>	2	
NITROCHARGER SPORT	60063			60063		
SPRING BUSH KIT	OMESB1	2		OMESB1	2	
U BOLTS	OMEU51	4		OMEU51	4	
GREASABLE SHACKLE KIT	OMEGS2	1		OMEGS2	1	
GREASABLE SHACKLE FIXED END PIN KIT	OMEGP1					
STEERING DAMPER	OMESD24					
ANTI INVERSION KIT	FK08 <span style="border: 1px solid black; padding: 0 2px;">2</span>					
EXTRA LEAF	D1XL <span style="border: 1px solid black; padding: 0 2px;">7</span>	2		D1XL <span style="border: 1px solid black; padding: 0 2px;">7</span>	2	
CENTRE BOLT	UCB3			UCB3		

REAR <i>Estimated Lift: 50mm</i>	ALL MODELS		
	PART NUMBER	QTY	UNIT PRICE \$
<b>SPRING: RIDE/LIGHT LOAD</b>	<b>CS017RA / B</b> <span style="border: 1px solid black; padding: 0 2px;">2</span> <span style="border: 1px solid black; padding: 0 2px;">5</span>	1 + 1	
NITROCHARGER SPORT	60032 <span style="border: 1px solid black; padding: 0 2px;">3</span>	2	
NITROCHARGER	60062 <span style="border: 1px solid black; padding: 0 2px;">8</span>		
NITROCHARGER	N94 <span style="border: 1px solid black; padding: 0 2px;">3</span> <span style="border: 1px solid black; padding: 0 2px;">8</span>		
<b>SPRING: MEDIUM LOAD</b>	<b>CS004RA / B</b> <span style="border: 1px solid black; padding: 0 2px;">2</span> <span style="border: 1px solid black; padding: 0 2px;">5</span> <span style="border: 1px solid black; padding: 0 2px;">6</span>	1 + 1	
NITROCHARGER SPORT	*60064 / 60032 <span style="border: 1px solid black; padding: 0 2px;">3</span>	2	
NITROCHARGER	*60065 / 60062 <span style="border: 1px solid black; padding: 0 2px;">8</span>		
NITROCHARGER	*N42 / N89 <span style="border: 1px solid black; padding: 0 2px;">3</span> <span style="border: 1px solid black; padding: 0 2px;">8</span>		
FITTING KIT	FK0422 <span style="border: 1px solid black; padding: 0 2px;">4</span>	1	
FITTING KIT	FK0411 <span style="border: 1px solid black; padding: 0 2px;">4</span>		
<b>SPRING: CONSTANT 200 KGS</b>	<b>CS005RA / B</b> <span style="border: 1px solid black; padding: 0 2px;">2</span> <span style="border: 1px solid black; padding: 0 2px;">5</span> <span style="border: 1px solid black; padding: 0 2px;">6</span>	1 + 1	
NITROCHARGER SPORT	60064 <span style="border: 1px solid black; padding: 0 2px;">3</span>	2	
NITROCHARGER	60065 <span style="border: 1px solid black; padding: 0 2px;">8</span>		
NITROCHARGER	N42 <span style="border: 1px solid black; padding: 0 2px;">3</span> <span style="border: 1px solid black; padding: 0 2px;">8</span>		
FITTING KIT	FK0418 <span style="border: 1px solid black; padding: 0 2px;">4</span>	1	
SPRING BUSH KIT	OMESB1	2	
U BOLTS	OMEU59B	4	
GREASABLE SHACKLE KIT	OMEGS1	1	
GREASABLE SHACKLE FIXED END PIN KIT	OMEGP1		
ANTI INVERSION KIT	FK08 <span style="border: 1px solid black; padding: 0 2px;">2</span>		
EXTRA LEAF	D2XL <span style="border: 1px solid black; padding: 0 2px;">6</span>	2	
CENTRE BOLT	UCB2		

### REMARKS:

- 1** Front bump stop measurement must not exceed 100mm to ensure good shackle angle. To reduce bump stop gap, remove the 4th leaf from the top of the spring. OMECW2 Caster Wedge Kit may be required to restore correct caster angle.
- 2** Shackles: FK08 Anti Inversion Kit is **mandatory** fitment if greasable shackles are not fitted. Refer OME Technical & Fitting Manual.
- 3** Post 1986 vehicles have a 19mm mounting pin and suit shock part no's N94<sup>8</sup>, N90<sup>8</sup>, N85<sup>8</sup>, 60062 & 60065. Pre 1986 vehicles have a 16mm mounting pin and suit shock part no's N42<sup>8</sup>, N89<sup>8</sup>, 60032 & 60064.
- 4** Fitting Kit is only required on vehicles with rubber insulators around rear springs. Refer OME Technical & Fitting Manual Section 7 GF1: LandCruiser 60 Series page 7 selection chart.
- 5** Barn door Models may require A/A or B/B spring fitment. USA LHD Models require A/A or B/B spring fitment.
- 6** D2XL only suitable for CS004RA/B & CS005RA/B.
- 7** D1XL only suitable for CS003F & CS004F.
- 8** When remaining stock of N42, N85, N89, N90, N92, and N94 is exhausted no further product will be available.

## LANDCRUISER 45, 47 SERIES ALL LWB MODELS

FRONT <i>Estimated Lift: 35mm</i>	PETROL & DIESEL ENGINES		
	PART NUMBER	QTY	UNIT PRICE \$
<b>SPRING: TO 50 KGS</b>	<b>CS001F</b> <span style="border: 1px solid black; padding: 0 2px;">1</span>		
NITROCHARGER SPORT	60097	2	
NITROCHARGER	N81		
<b>SPRING: 51 TO 110 KGS</b>	<b>CS002F</b> <span style="border: 1px solid black; padding: 0 2px;">1</span>		
NITROCHARGER SPORT	60097	2	
NITROCHARGER	*N41 / N81 <span style="border: 1px solid black; padding: 0 2px;">3</span>		
SPRING BUSH KIT	See Chart Below	2	
U BOLTS - 25mm Eye Spring	OMEU59A	3	
	OMEU59B	1	
U BOLTS - 35mm Eye Spring	OMEU59A	3	
	OMEU55	1	
GREASABLE SHACKLE KITS	See Chart Below		
STEERING DAMPER	OMESD23		
ANTI INVERSION KIT	FK08 <span style="border: 1px solid black; padding: 0 2px;">1</span>	1	
EXTRA LEAF	D3XL		
CENTRE BOLT	UCB8	2	

**REMARKS:**

- 1** FK08 Anti Inversion Kit is **mandatory** fitment front and rear if greasable shackles are not fitted.
- 2** Remove 3rd leaf from CS003R spring stack to reduce spring rate for light duty application. Include tray weight in constant load calculation.
- 3** When remaining stock of N41 and N42 is exhausted no further product will be available.

REAR <i>Estimated Lift: 50mm</i>	ALL MODELS		
	PART NUMBER	QTY	UNIT PRICE \$
<b>SPRING: MEDIUM LOAD</b>	<b>CS003R</b> <span style="border: 1px solid black; padding: 0 2px;">1</span> <span style="border: 1px solid black; padding: 0 2px;">2</span>		
NITROCHARGER SPORT	60032	2	
NITROCHARGER	N42 <span style="border: 1px solid black; padding: 0 2px;">3</span>		
<b>SPRING: CONSTANT 400 KGS</b>	<b>CS003R</b> <span style="border: 1px solid black; padding: 0 2px;">1</span> <span style="border: 1px solid black; padding: 0 2px;">2</span>		
NITROCHARGER SPORT	60064	2	
NITROCHARGER	N42 <span style="border: 1px solid black; padding: 0 2px;">3</span>		
SPRING BUSH KIT	See Chart Below	2	
U BOLTS	OMEU59B	4	
TRIM PACKER	TP02		
GREASABLE SHACKLE KITS	See Chart Below		
ANTI INVERSION KIT	FK08 <span style="border: 1px solid black; padding: 0 2px;">1</span>	1	
EXTRA LEAF	D8XL		
CENTRE BOLT	UCB4	2	

GREASABLE SHACKLES						
FRONT	KIT PART NO.	QTY	UNIT PRICE \$	COMPATIBLE BUSH KIT	QTY	UNIT PRICE \$
18mm Shackle Pins & 35mm Hanger Bracket	OMEGS2	1		OMESB1	2	
	OMEGP1					
15mm Shackle Pins & 25mm Hanger Bracket	OMEGS8	1		OMESB30	2	
	OMEGP8					
<b>REAR</b>						
18mm Shackle Pins & 30mm Hanger Bracket	OMEGS17	1		OMESB79	2	
	*GSP02	2				
15mm Shackle Pins & 25mm Hanger Bracket	OMEGS9	1		OMESB30	2	
	OMEGP8					

\* GSP02 is only a greasable pin replacement for original pin.

## LANDCRUISER 40, 42 SERIES SWB

<b>FRONT</b> <i>Estimated Lift: 35mm</i>	PETROL & DIESEL ENGINES		
	PART NUMBER	QTY	UNIT PRICE \$
<b>SPRING: TO 50 KGS</b>	<b>CS001F</b> <span style="border: 1px solid black; padding: 0 2px;">2</span>		
NITROCHARGER SPORT	60097	2	
NITROCHARGER	N81		
<b>SPRING: 51 TO 110 KGS</b>	<b>CS002F</b> <span style="border: 1px solid black; padding: 0 2px;">2</span>		
NITROCHARGER SPORT	60097	2	
NITROCHARGER	N41 <span style="border: 1px solid black; padding: 0 2px;">4</span>		
SPRING BUSH KIT	OMESB30 <span style="border: 1px solid black; padding: 0 2px;">1</span>	2	
	OMESB1		
U BOLTS - 25mm Eye Spring	OMEU59A	3	
	OMEU59B	1	
U BOLTS - 35mm Eye Spring	OMEU59A	3	
	OMEU55	1	
GREASABLE SHACKLE KITS	See Chart Below		
STEERING DAMPER	OMESD23		
ANTI INVERSION KIT	FK08 <span style="border: 1px solid black; padding: 0 2px;">2</span>	1	
EXTRA LEAF	D3XL		
CENTRE BOLT	UCB8	2	

**REMARKS:**

- 1** OMESB30 suits 35mm spring eye and 25mm hanger bracket with 15mm shackle pin hole.
- OMESB1 suits 35mm spring eye and hanger bracket with 18mm shackle pin hole.
- 2** FK08 Anti Inversion Kit is mandatory fitment front and rear if greasable shackles are not fitted.
- 3** 1975 and newer FJ 40's may need to use N76 shocks in rear:  
  
Pre 1975 shock eye in the top of the axle housing: Use N89<sup>†</sup> / 60032 / 60064  
  
Post 1975 lower shock eye is below leaf spring: Use N76 with OMEB11 Bush Kit
- 4** When remaining stock of N41 and N89 is exhausted no further product will be available.

<b>REAR</b> <i>Estimated Lift: 50mm</i>	ALL MODELS		
	PART NUMBER	QTY	UNIT PRICE \$
<b>SPRING: MEDIUM LOAD</b>	<b>CS001R</b> <span style="border: 1px solid black; padding: 0 2px;">2</span>		
NITROCHARGER SPORT	60032 <span style="border: 1px solid black; padding: 0 2px;">3</span>	2	
NITROCHARGER	N89 <span style="border: 1px solid black; padding: 0 2px;">4</span>		
<b>SPRING: CONSTANT 150 KGS</b>	<b>CS002R</b> <span style="border: 1px solid black; padding: 0 2px;">2</span>		
NITROCHARGER SPORT	*60064 / 60032 <span style="border: 1px solid black; padding: 0 2px;">3</span>	2	
NITROCHARGER	N89 <span style="border: 1px solid black; padding: 0 2px;">4</span>		
U BOLTS	OMEU59A	4	
SPRING BUSH KIT	OMESB30 <span style="border: 1px solid black; padding: 0 2px;">1</span>	2	
	OMESB1		
GREASABLE SHACKLE KITS	See Chart Below		
ANTI INVERSION KIT	FK08 <span style="border: 1px solid black; padding: 0 2px;">2</span>	1	
EXTRA LEAF	D4XL		
CENTRE BOLT	UCB8	2	

### GREASABLE SHACKLES

FRONT	KIT PART NO.	QTY	UNIT PRICE \$	COMPATIBLE BUSH KIT	QTY	UNIT PRICE \$
18mm Shackle Pin	OMEGS2	1		OMESB1	2	
	OMEGP1					
15mm Shackle Pin	OMEGS8	1		OMESB30	2	
	OMEGP8					
<b>REAR</b>						
18mm Shackle Pin	OMEGS1	1		OMESB1	2	
	OMEGP1					
15mm Shackle Pin	OMEGS9	1		OMESB30	2	
	OMEGP8					



## TACOMA 2016 ON

<b>FRONT</b>				
<i>Estimated Lift: 50mm</i>		PART NUMBER	QTY	UNIT PRICE \$
<b>SPRING: NO BAR</b>	<b>2887</b>	1		
STRUT SPORT	90021 <span style="border: 1px solid black; padding: 0 2px;">1</span>	2		
<b>SPRING: BAR ONLY</b>	<b>2888</b>	1		
STRUT SPORT	*90000 / 90021 <span style="border: 1px solid black; padding: 0 2px;">1</span>	2		
<b>SPRING: BAR &amp; WINCH</b>	<b>2886</b>	1		
STRUT SPORT	90000 <span style="border: 1px solid black; padding: 0 2px;">1</span>	2		
UPPER CONTROL ARM	UCA0005 <span style="border: 1px solid black; padding: 0 2px;">4</span>			
TRIM PACKER	OME95PF5			
UPPER STRUT BUSHES	OME3133 <span style="border: 1px solid black; padding: 0 2px;">1</span>			
STRUT TOP HAT KIT	OMETH002 <span style="border: 1px solid black; padding: 0 2px;">2</span>			
<b>BP-51 SELECTION</b>				
COIL OVER TACOMA FRONT LH	BP5190006L	1		
COIL OVER TACOMA FRONT RH	BP5190006R			
BP KIT TACOMA FRONT	VM80010016			
<b>REAR</b>				
<i>Estimated Lift: 50mm</i>		PART NUMBER	QTY	UNIT PRICE \$
<b>SPRING: MEDIUM LOAD</b>	<b>EL111R</b>	2		
NITROCHARGER SPORT	60091			
<b>SPRING: CONSTANT 300 KGS</b>	<b>EL112R</b>	2		
NITROCHARGER SPORT	60091			
<b>BP-51 SELECTION</b>				
SHOCK ABSORBER TACOMA REAR LH	BP5160011L	1		
SHOCK ABSORBER TACOMA REAR RH	BP5160011R			
BP KIT TACOMA REAR	VM80010017			
EXTRA LEAF	EL46XL	2		
CENTRE BOLT	REFER TO LEAF SPRING SERVICE PARTS page 174			
GREASABLE PIN KIT	OMEGP9 <span style="border: 1px solid black; padding: 0 2px;">3</span>	2		
U BOLT	OMEU53B	4		
SPRING BUSH KIT	OMESB108	2		
DRIVESHAFT SPACER KIT	FK29	1		

**REMARKS:**

- 1** No top mounting bushes supplied, use OME3133. OE bushes may be re-used if in good condition.
- 2** Strut Top Hat Kit may be required if original equipment is worn.
- 3** Two (2) Greasable Pin Kits required. One (1) kit for front fixed eye and one (1) kit for shackle pin for leaf spring eye.
- 4** The OME Upper Control Arm will provide an increase between +2.5 and +3.5 degrees of caster and up to 1.5 degrees of negative camber increase (figures based off an approximate 50mm lift). Please note after fitment of Upper Control Arm a vehicle wheel alignment will be required.

## TACOMA V6 2005 TO 2015

<b>FRONT</b>				
<i>Estimated Lift: 50mm</i>		PART NUMBER	QTY	UNIT PRICE \$
<b>SPRING: TO 50 KGS</b>		<b>2885</b>	1	
NITROCHARGER SPORT		*90000 / 90021	2	
STRUT		N140S	2	
<b>SPRING: 51 TO 100 KGS</b>		<b>2886</b>	1	
NITROCHARGER SPORT		90000	2	
STRUT		N140S	2	
UPPER CONTROL ARM		UCA0005	5	
UPPER STRUT BUSHES		OME3133	1	
STRUT TOP HAT KIT		OMETH002	2	
<b>BP-51 SELECTION</b>				
COIL OVER TACOMA FRONT LH		BP5190006L	1	
COIL OVER TACOMA FRONT RH		BP5190006R		
BP KIT TACOMA FRONT		VM80010016		
<b>REAR</b>		<b>ALL MODELS</b>		
<i>Estimated Lift: 50mm</i>		PART NUMBER	QTY	UNIT PRICE \$
<b>SPRING: MEDIUM LOAD</b>		<b>EL111R</b>	2	
NITROCHARGER SPORT		60091		
<b>SPRING: CONSTANT 300 KGS</b>		<b>EL112R</b>	2	
NITROCHARGER SPORT		60091		
<b>BP-51 SELECTION</b>				
SHOCK ABSORBER TACOMA REAR LH		BP5160011L	1	
SHOCK ABSORBER TACOMA REAR RH		BP5160011R		
BP KIT TACOMA REAR		VM80010017		
EXTRA LEAF		EL46XL	2	
CENTRE BOLT		UCB17		
GREASABLE PIN KIT		OMEGP9	3	
U BOLT		OMEU53B	4	
SPRING BUSH KIT		OMESB108	2	
DRIVESHAFT SPACER KIT		FK29	1	

**REMARKS:**

- 1** No top mounting bushes supplied, use OME3133. OE bushes may be re-used if in good condition.
- 2** Strut Top Hat Kit may be required if original equipment is worn.
- 3** Two (2) Greasable Pin Kits required. One (1) kit for front fixed eye and one (1) kit for shackle pin for leaf spring eye.
- 4** When remaining stock of N140S is exhausted no further product will be available.
- 5** The OME Upper Control Arm will provide an increase between +2.5 and +3.5 degrees of caster and up to 1.5 degrees of negative camber increase (figures based off an approximate 50mm lift). Please note after fitment of Upper Control Arm a vehicle wheel alignment will be required.

## TACOMA V6 & 4 CYLINDER 1998 TO 2004

<b>FRONT</b> <i>Estimated Lift: 45mm</i>	PART NUMBER	QTY	UNIT PRICE \$
<b>SPRING: TO 50 KGS</b>	<b>2880</b>	1	
NITROCHARGER SPORT	<b>90004</b>	2	
STRUT	N91SC <span style="border: 1px solid black; padding: 0 2px;">2</span>	2	
<b>SPRING: 51 TO 100 KGS</b>	<b>2881</b>	1	
NITROCHARGER SPORT	<b>90004</b>	2	

**REMARKS:**

- 1** FK21 Exhaust Bracket is **mandatory** fitment to ensure exhaust system clears springs.
- 2** When remaining stock of N85 and N91SC is exhausted no further product will be available.

<b>REAR</b> <i>Estimated Lift: 55mm</i>	<b>ALL MODELS</b>		
	PART NUMBER	QTY	UNIT PRICE \$
<b>SPRING: MEDIUM LOAD</b>	<b>EL122RA / B</b> <span style="border: 1px solid black; padding: 0 2px;">1</span>	1 + 1	
NITROCHARGER SPORT	<b>*60065 / 60062</b>	2	
EXTRA LEAF	D43XL	2	
CENTRE BOLT	UCB19	4	
U BOLT	OMEU53A		
SPRING BUSH KIT	OMESB121		
GREASABLE SHACKLE KIT	OMEGS12		
EXHAUST BRACKET KIT	FK21 <span style="border: 1px solid black; padding: 0 2px;">1</span>	1	

## HILUX 2015 ON ALL MODELS

<b>FRONT SELECTION</b>			
<b>FRONT</b> <i>Estimated Lift: 40mm</i>	<b>DIESEL ENGINES</b>		
	PART NUMBER	QTY	UNIT PRICE \$
<b>SPRING: NO BAR</b>	<b>2884</b>	1	
STRUT - SPORT	90028	2	
<b>SPRING: BAR ONLY</b>	<b>3176</b>	1	
STRUT - SPORT	90028	2	
<b>SPRING: BAR &amp; WINCH</b>	<b>3190</b>	1	
STRUT - SPORT	90029	2	
<b>SPRING: BAR, WINCH &amp; ACCESSORIES</b>	<b>3177</b>	1	
STRUT - SPORT	90029	2	
UPPER CONTROL ARM	UCA0003	4	
UPPER STRUT BUSHES	OME3133	2	
STRUT TOP HAT KIT	OMETH002	3	
TRIM PACKER	OME95PF5		

<b>FRONT</b> <i>Estimated Lift: 20mm</i>	<b>DIESEL ENGINES</b>		
	PART NUMBER	QTY	UNIT PRICE \$
<b>SPRING: NO BAR</b>	<b>3114</b>	1	
STRUT - SPORT	90028	2	
<b>SPRING: BAR ONLY</b>	<b>2885</b>	1	
STRUT - SPORT	90028	2	
<b>SPRING: BAR &amp; WINCH</b>	<b>2887</b>	1	
STRUT - SPORT	90029	2	
<b>SPRING: BAR, WINCH &amp; ACCESSORIES</b>	<b>2888</b>	1	
STRUT - SPORT	90029	2	
UPPER CONTROL ARM	UCA0003	4	
UPPER STRUT BUSHES	OME3133	2	
STRUT TOP HAT KIT	OMETH002	3	
TRIM PACKER	OME95PF5		
<b>BP-51 SELECTION</b>			
COIL OVER 2015 HILUX FRONT RH	BP5190007R	1	
COIL OVER 2015 HILUX FRONT LH	BP5190007L		
BP KIT HILUX 2015 FRONT	VM80010018		

**REMARKS:**

- 1** To maintain coil clearance from the sway bar, the coil seat must be installed with the helix facing away from the sway bar.
- 2** No top mounting bushes supplied use OME3133. OE bushes may be re-used if in good condition.
- 3** Strut Top Hat Kit may be required if original equipment is worn.
- 4** The OME Upper Control Arm will provide an increase between +2.5 and +3.5 degrees of caster and up to 1.5 degrees of negative camber increase (figures based off an approximate 50mm lift). Please note after fitment of Upper Control Arm a vehicle wheel alignment will be required.

## HILUX 2015 ON ALL MODELS

REAR SELECTION			
REAR <i>Estimated Lift: 40mm</i>	ALL MODELS		
	PART NUMBER	QTY	UNIT PRICE \$
<b>SPRING MEDIUM</b>	<b>EL105R</b> <span style="border: 1px solid black; padding: 0 2px;">1</span> <span style="border: 1px solid black; padding: 0 2px;">4</span> <span style="border: 1px solid black; padding: 0 2px;">5</span>	2	
NITROCHARGER SPORT	60132		
<b>SPRING: CONSTANT 300 KGS</b>	<b>EL106R</b> <span style="border: 1px solid black; padding: 0 2px;">1</span> <span style="border: 1px solid black; padding: 0 2px;">4</span> <span style="border: 1px solid black; padding: 0 2px;">5</span>	2	
NITROCHARGER SPORT	*60133 / 60132		
<b>SPRING: CONSTANT 600 KGS</b>	<b>EL107R</b> <span style="border: 1px solid black; padding: 0 2px;">1</span> <span style="border: 1px solid black; padding: 0 2px;">4</span> <span style="border: 1px solid black; padding: 0 2px;">5</span> <span style="border: 1px solid black; padding: 0 2px;">6</span>	2	
NITROCHARGER SPORT	60133		
<b>BP-51 SELECTION</b>			
SHOCK ABSORBER 2015 HILUX REAR RH	BP5160018R		
SHOCK ABSORBER 2015 HILUX REAR RH (HEAVIER VALVED)	*BP5160051R		
SHOCK ABSORBER 2015 HILUX REAR LH	BP5160018L	1	
SHOCK ABSORBER 2015 HILUX REAR LH (HEAVIER VALVED)	*BP5160051L		
BP KIT HILUX 2015 REAR	VM80010019		
SPRING BUSH KIT	OMESB98	2	
U BOLTS	OMEU53A <span style="border: 1px solid black; padding: 0 2px;">5</span>	4	
	OMEU53B		
GREASABLE SHACKLE KIT	OMEGS25	1	
GREASABLE PIN KIT	OMEGP9		
EXTRA LEAF	EL45XL <span style="border: 1px solid black; padding: 0 2px;">2</span> <span style="border: 1px solid black; padding: 0 2px;">6</span>	2	
TRIM PACKER	ELSK05		
EXTRA LEAF SPACER KIT	ELSK12	2	
CENTRE BOLT	REFER TO LEAF SPRING SERVICE PARTS page 174		
HALOGEN HEADLAMP LEVELLING BRACKET	FK86 <span style="border: 1px solid black; padding: 0 2px;">3</span>	1	
LEAF SPRING FRONT EYE BOLT	6151539 <span style="border: 1px solid black; padding: 0 2px;">4</span>		

**REMARKS:**

- 1 Include tray weight in constant load calculation.
- 2 EL45XL will give approximately 20mm extra lift or increase loading capacity at design height by approximately 200kgs.
- 3 The Halogen Headlamp Levelling Bracket is a mandatory fitment for SR5 versions only.
- 4 Leaf Spring front eye bolt 6151539 required for fuel tank side and is available as a spare part. Refer to the Spare Parts Price List for pricing.
- 5 Use OMEU53A for EL105R and EL106R.  
Use OMEU53B for EL106R with extra leaf and EL107R.
- 6 When adding Extra Leaf to EL107R please add UCB4.

## HILUX/VIGO 2005 TO 2015 ALL MODELS

<b>FRONT</b> <i>Estimated Lift: 30mm</i>	<b>DIESEL ENGINES</b>			<b>PETROL ENGINES</b>		
	<b>PART NUMBER</b>	<b>QTY</b>	<b>UNIT PRICE \$</b>	<b>PART NUMBER</b>	<b>QTY</b>	<b>UNIT PRICE \$</b>
<b>SPRING: NO BAR</b>	<b>2883</b>	1		<b>3058</b>	1	
STRUT - SPORT	*90002 / 90011	2		*90002 / 90011	2	
<b>SPRING: BAR ONLY</b>	<b>2884</b>	1		<b>2883</b>	1	
STRUT - SPORT	90002	2		*90002 / 90011	2	
<b>SPRING: BAR &amp; WINCH</b>	<b>2885</b>	1		<b>2884</b>	1	
STRUT - SPORT	90002	2		90002	2	
UPPER CONTROL ARM	UCA0003			UCA0003		
TRIM PACKER	OME95PF5			OME95PF5		
UPPER STRUT BUSHES	OME3133	2		OME3133	2	
STRUT TOP HAT KIT	OMETH002	2		OMETH002	2	
<b>BP-51 SELECTION - ALL MODELS</b>						
COIL OVER HILUX FRONT LH	BP5190001L	1		5 Strut Top Hat Kit may be required if original equipment is worn. 6 When remaining stock of N166S and N168 is exhausted no further product will be available. 7 The OME Upper Control Arm will provide an increase between +2.5 and +3.5 degrees of caster and up to 1.5 degrees of negative camber increase (figures based off an approximate 50mm lift). Please note after fitment of Upper Control Arm a vehicle wheel alignment will be required.		
COIL OVER HILUX FRONT RH	BP5190001R					
BP KIT HILUX FRONT	VM80010001					
<b>REAR</b> <i>Estimated Lift: 45mm</i>	<b>ALL MODELS</b>					
	<b>PART NUMBER</b>	<b>QTY</b>	<b>UNIT PRICE \$</b>			
<b>SPRING: LOW LIFT 20mm</b>	<b>CS043R-15</b>	2				
NITROCHARGER SPORT	60006					
<b>SPRING: LIGHT LOAD</b>	<b>EL043R</b>	2				
NITROCHARGER SPORT	60006					
<b>SPRING: MEDIUM LOAD</b>	<b>EL044R</b>	2				
NITROCHARGER SPORT	60006					
<b>SPRING: CONSTANT 400 KGS</b>	<b>EL045R</b>	2				
NITROCHARGER SPORT	60007					
<b>SPRING: CONSTANT 600 KGS</b>	<b>EL071R</b>	2				
NITROCHARGER SPORT	60007					
<b>BP-51 SELECTION</b>						
SHOCK ABSORBER HILUX REAR LH	BP5160024L	1				
SHOCK ABSORBER HILUX REAR RH	BP5160024R					
BP KIT HILUX REAR	VM80010002					
SPRING BUSH KIT	OMESB98	2				
U BOLTS	OMEU53A	4				
GREASABLE SHACKLE KIT	OMEGS14					
GREASABLE PIN KIT	OMEGP9	1				
BRAKE PROPORTIONING BRACKET	FK59					
EXTRA LEAF	EL13XL	2				
TRIM PACKER	ELSK05					
EXTRA LEAF SPACER KIT	ELSK12	2				
CENTRE BOLT	REFER TO LEAF SPRING SERVICE PARTS page 174					

**REMARKS:**

- 1 To maintain coil clearance from the sway bar, the coil seat **must** be installed with the helix facing away from the sway bar.
- 2 No top mounting bushes supplied, use OME3133. OE bushes may be re-used if in good condition.
- 3 Include tray weight in constant load calculation.
- 4 EL13XL will give approximately 22mm extra lift or increase loading capacity at design height by approximately 200kgs.

## HILUX/TIGER 1997 TO 2004 ALL MODELS

FRONT	PETROL & DIESEL ENGINES		
	PART NUMBER	QTY	UNIT PRICE \$
TORSION BARS: OVER 50 KGS	303003 <span style="border: 1px solid black; padding: 0 2px;">1</span>	1	
NITROCHARGER SPORT	60042	2	
STEERING DAMPER	OMESD33	1	

REAR <i>Estimated Lift: 50mm</i>	ALL MODELS		
	PART NUMBER	QTY	UNIT PRICE \$
<b>SPRING: MEDIUM LOAD</b>	<b>CS018R</b> <span style="border: 1px solid black; padding: 0 2px;">3</span> <span style="border: 1px solid black; padding: 0 2px;">5</span>	2	
NITROCHARGER SPORT	60043 + 60044 <span style="border: 1px solid black; padding: 0 2px;">2</span>	1 + 1	
<b>SPRING: CONSTANT 120 KGS</b>	<b>CS019R</b> <span style="border: 1px solid black; padding: 0 2px;">3</span> <span style="border: 1px solid black; padding: 0 2px;">5</span>	2	
NITROCHARGER SPORT	60043 + 60044 <span style="border: 1px solid black; padding: 0 2px;">2</span>	1 + 1	
<b>SPRING: CONSTANT 250 KGS</b>	<b>CS020R</b> <span style="border: 1px solid black; padding: 0 2px;">3</span> <span style="border: 1px solid black; padding: 0 2px;">5</span>	2	
NITROCHARGER SPORT	60043 + 60044 <span style="border: 1px solid black; padding: 0 2px;">2</span>	1 + 1	
<b>SPRING: CONSTANT 400 KGS</b>	<b>CS021R</b> <span style="border: 1px solid black; padding: 0 2px;">3</span> <span style="border: 1px solid black; padding: 0 2px;">5</span>	2	
NITROCHARGER SPORT	60043 + 60044 <span style="border: 1px solid black; padding: 0 2px;">2</span>	1 + 1	
SPRING BUSH KIT	OMESB43	2	
GREASABLE FIXED END PIN KIT	OMEGP11		
GREASABLE SHACKLE KIT	OMEGS7 <span style="border: 1px solid black; padding: 0 2px;">3</span>	1	
ANTI INVERSION KIT	FK15		
U BOLT	OMEU53A	4	
FITTING KIT	FK01 <span style="border: 1px solid black; padding: 0 2px;">4</span>	1	
EXTRA LEAF	D6XL <span style="border: 1px solid black; padding: 0 2px;">6</span>		
CENTRE BOLT	UCB6	2	

**REMARKS:**

- 1 Raise or lower front end clearance and trim vehicle by adjusting front torsion bars.
- 2 60043 is longer in length and **must** be fitted to right hand side only. Fitment to left hand side may cause damage to shock absorber and vehicle.
- 3 **Mandatory** Fitment: Either OMEGS7 or FK15 Anti Inversion Kit required to prevent possible spring inversion.
- 4 Fitment of FK01 Spacer Washers to U bolts is **required** to ensure correct tension is obtained on U bolts.
- 5 Include tray weight in constant load calculation.
- 6 D6XL suitable for CS019R, CS020R and CS021R.

## HILUX & 4 RUNNER PRE 1997 ALL LEAF SPRING MODELS

FRONT <i>Estimated Lift: 45mm</i>	PETROL ENGINES			DIESEL ENGINES		
	PART NUMBER	QTY	UNIT PRICE \$	PART NUMBER	QTY	UNIT PRICE \$
<b>SPRING: TO 50 KGS</b>	<b>CS008FA / B</b> <span style="border: 1px solid black; padding: 0 2px;">1</span> <span style="border: 1px solid black; padding: 0 2px;">2</span> <span style="border: 1px solid black; padding: 0 2px;">3</span>	1 + 1		<b>CS009FA / B</b> <span style="border: 1px solid black; padding: 0 2px;">1</span> <span style="border: 1px solid black; padding: 0 2px;">2</span> <span style="border: 1px solid black; padding: 0 2px;">3</span>	1 + 1	
NITROCHARGER SPORT	60061	2		60061	2	
<b>SPRING: 51 TO 110 KGS</b>	<b>CS009FA / B</b> <span style="border: 1px solid black; padding: 0 2px;">1</span> <span style="border: 1px solid black; padding: 0 2px;">2</span> <span style="border: 1px solid black; padding: 0 2px;">3</span>	1 + 1		<b>CS009FA / B</b> <span style="border: 1px solid black; padding: 0 2px;">1</span> <span style="border: 1px solid black; padding: 0 2px;">2</span> <span style="border: 1px solid black; padding: 0 2px;">3</span>	1 + 1	
NITROCHARGER SPORT	60061	2		60061	2	
SPRING BUSH KIT	OMESB5	2		OMESB5	2	
U BOLTS	OMEU52 + <span style="border: 1px solid black; padding: 0 2px;">3</span>	1 +		OMEU52 + <span style="border: 1px solid black; padding: 0 2px;">3</span>	1 +	
	OMEU53 +	2 +		OMEU53 +	2 +	
	OMEU53B	1		OMEU53B	1	
FITTING KIT	FK03 <span style="border: 1px solid black; padding: 0 2px;">2</span>	1		FK10 <span style="border: 1px solid black; padding: 0 2px;">2</span>	2	
GREASABLE SHACKLE KIT	OMEGS4			OMEGS4	1	
GREASABLE SHACKLE FIXED END PIN KIT	OMEGP3			OMEGP3		
STEERING DAMPER	OMESD21			OMESD21		
EXTRA LEAF	D17XL <span style="border: 1px solid black; padding: 0 2px;">9</span>		2		D17XL <span style="border: 1px solid black; padding: 0 2px;">9</span>	2
CENTRE BOLT	UCB7			UCB7		

REAR <i>Estimated Lift: 50mm</i>	ALL MODELS		
	PART NUMBER	QTY	UNIT PRICE \$
<b>SPRING: MEDIUM LOAD</b>	<b>CS009R</b> <span style="border: 1px solid black; padding: 0 2px;">4</span> <span style="border: 1px solid black; padding: 0 2px;">6</span> <span style="border: 1px solid black; padding: 0 2px;">7</span>	2	
NITROCHARGER SPORT	*60064 / 60032 <span style="border: 1px solid black; padding: 0 2px;">5</span>		
	*60065 / 60062 <span style="border: 1px solid black; padding: 0 2px;">5</span>		
NITROCHARGER	N94 <span style="border: 1px solid black; padding: 0 2px;">8</span>		
	N89 <span style="border: 1px solid black; padding: 0 2px;">5</span> <span style="border: 1px solid black; padding: 0 2px;">8</span>		
<b>SPRING: CONSTANT 250 KGS</b>	<b>CS010R</b> <span style="border: 1px solid black; padding: 0 2px;">4</span> <span style="border: 1px solid black; padding: 0 2px;">6</span> <span style="border: 1px solid black; padding: 0 2px;">7</span>	2	
NITROCHARGER SPORT	60064 <span style="border: 1px solid black; padding: 0 2px;">5</span>		
	60065 <span style="border: 1px solid black; padding: 0 2px;">5</span>		
NITROCHARGER	N89 <span style="border: 1px solid black; padding: 0 2px;">5</span> <span style="border: 1px solid black; padding: 0 2px;">8</span>		
U BOLTS	OMEU53	4	
SPRING BUSH KIT	OMESB6	2	
GREASABLE SHACKLE KIT	OMEGS3	1	
GREASABLE SHACKLE FIXED END PIN KIT	OMEGP3		
TRIM PACKER	TP04 <span style="border: 1px solid black; padding: 0 2px;">4</span>		
ANTI INVERSION KIT	FK09 <span style="border: 1px solid black; padding: 0 2px;">6</span>	1	
	FK13		
EXTRA LEAF	D5XL	2	
CENTRE BOLT	UCB6		

**REMARKS:**

- 1** A/A spring fitment may be needed on some vehicles for trimming purposes.
- 2** Petrol HiLux may require FK03 (Saddle Correction Plates) if the spring seats are distorted. FK10 must be fitted to all Diesel & Petrol Models used off road. Refer OME Technical & Fitting Manual.
- 3** OMEU52 is required when fitting OME springs to stop the U bolt contacting the drag link. Refer OME Technical & Fitting Manual. OMEU52 and OMEU53B for drivers side. OMEU53 for passenger side.
- 4** A trim packer may be required to trim vehicle. Only to be used on rear springs.
- 5** Post 1984 vehicles have a 19mm mounting pin and suit shock part numbers: N85<sup>8</sup>, N94<sup>8</sup>, 60062 and 60065. Pre 1984 vehicles have a 16mm mounting pin and suit shock part numbers: N89<sup>8</sup>, 60032 and 60064.
- 6** If greasable shackles are not fitted Anti Inversion Kits must be fitted. FK09 fits all pre 1984 Models. FK13 fits all 1985 Models On.
- 7** Include tray weight in constant load calculation. To provide correct shackle angle, 1985 - 89 automatic 4 Runner Models require the 3rd leaf to be removed to reduce spring rate.
- 8** When remaining stock of N85, N89 and N94 is exhausted no further product will be available.
- 9** Only Suits CS008FA/B. **Do not** fit to CS009FA/B.



## HILUX PRE 1997 EXTRA CAB & DUAL CAB SR5 IFS & REAR LEAF MODELS

FRONT	PETROL & DIESEL ENGINES		
	PART NUMBER	QTY	UNIT PRICE \$
TORSION BARS: 50 KGS	303003 <span style="border: 1px solid black; padding: 0 2px;">1</span>	1	
NITROCHARGER SPORT	60072	2	
STEERING DAMPER	OMESD33	1	

REAR <i>Estimated Lift: 50mm</i>	ALL MODELS		
	PART NUMBER	QTY	UNIT PRICE \$
<b>SPRING: MEDIUM LOAD</b>	<b>CS019R</b> <span style="border: 1px solid black; padding: 0 2px;">2</span> <span style="border: 1px solid black; padding: 0 2px;">3</span>	2	
NITROCHARGER SPORT	60065		
NITROCHARGER	N94 <span style="border: 1px solid black; padding: 0 2px;">4</span>		
<b>SPRING: CONSTANT 200 KGS</b>	<b>CS020R</b> <span style="border: 1px solid black; padding: 0 2px;">2</span> <span style="border: 1px solid black; padding: 0 2px;">3</span>	2	
NITROCHARGER SPORT	60065		
NITROCHARGER	N94 <span style="border: 1px solid black; padding: 0 2px;">4</span>		
SPRING BUSH KIT	OMESB43	2	
U BOLTS	OMEU53 <span style="border: 1px solid black; padding: 0 2px;">2</span>	4	
	OMEU53B		
GREASABLE SHACKLE KIT	OMEGS7	1	
GREASABLE FIXED END PIN KIT	OMEGP11		
EXTRA LEAF	D6XL	2	
CENTRE BOLT	UCB6		

**REMARKS:**

- 1** Raise or lower front end clearance and trim vehicle by adjusting front torsion bars.
- 2** Compare original spring stack height to OME spring stack to decide whether OMEU53 or OMEU53B U bolts are required.
- 3** Include tray weight in constant load calculation.
- 4** When remaining stock of N85 and N94 is exhausted no further product will be available.

## 4 RUNNER 2010 ON (USA MODEL)

FRONT <i>Estimated Lift: 50mm</i>	V6 4.0L PETROL ENGINE		
	PART NUMBER	QTY	UNIT PRICE \$
<b>SPRING: NO BAR</b>	<b>2883</b>	1	
STRUT - SPORT	90010	2	
<b>SPRING: BAR ONLY</b>	<b>2884</b>	1	
STRUT - SPORT	90010	2	
<b>SPRING: BAR AND WINCH</b>	<b>2885</b>	1	
STRUT - SPORT	90010	2	
UPPER CONTROL ARM	UCA0004	5	
TRIM PACKER	OME95PF5	1	
UPPER STRUT BUSHES	OME3133	2	
STRUT TOP HAT KIT	OMETH002	4	
<b>BP-51 SELECTION - NON KDSS MODELS</b>			
BP-51 COIL OVER FRONT RH	BP5190002R	1	
BP-51 COIL OVER FRONT LH	BP5190002L		
BP-51 FIT KIT FRONT	VM80010028		
<b>BP-51 SELECTION - KDSS MODELS</b>			
BP-51 COIL OVER FRONT LH	BP5190004L	1	
BP-51 COIL OVER FRONT RH	BP5190002R		
BP-51 FIT KIT FRONT	VM80010009		
REAR <i>Estimated Lift: 50mm</i>	LWB MODEL		
	PART NUMBER	QTY	UNIT PRICE \$
<b>SPRING: MEDIUM LOAD</b>	<b>2895</b>	1	
NITROCHARGER SPORT	60080	2	
<b>SPRING: CONSTANT 200 KGS</b>	<b>2896</b>	1	
NITROCHARGER SPORT	*60081 / 60080	2	
<b>SPRING: CONSTANT 400 KGS</b>	<b>2897</b>	1	
NITROCHARGER SPORT	60081	2	
TRIM PACKER	OME150PR10	3	
STONE GUARD KIT	OME661	1	
<b>BP-51 SELECTION</b>			
BP-51 SHOCK REAR	BP5160025	2	
BP-51 FIT KIT REAR	VM80010010	1	

**REMARKS:**

- 1** Vehicles with KDSS, must have 1 x OME95PF5 packer installed on the front right hand side to maintain correct trim.
- 2** No top mounting bushes supplied, use OME3133. OE bushes may be re-used if in good condition.
- 3** OME661 Lower Shock Mount Stone Guard is recommended fitment to rear shocks to protect against severe stone pepping encountered on loose road surfaces.
- 4** Strut Top Hat Kit may be required if original equipment is worn.
- 5** The OME Upper Control Arm will provide an increase between +2.5 and +3.5 degrees of caster and up to 1.5 degrees of negative camber increase (figures based off an approximate 50mm lift). Please note after fitment of Upper Control Arm a vehicle wheel alignment will be required.

## 4 RUNNER 2003 TO 2010 (USA MODEL)

FRONT <i>Estimated Lift: 25-50mm</i>			
	PART NUMBER	QTY	UNIT PRICE \$
<b>SPRING: NO BAR</b>	2884 <span style="border: 1px solid black; padding: 0 2px;">1</span>	1	
STRUT - SPORT	90000 <span style="border: 1px solid black; padding: 0 2px;">2</span>	2	
STRUT	N140S <span style="border: 1px solid black; padding: 0 2px;">4</span>		
<b>SPRING: TO 75 KGS</b>	2885 <span style="border: 1px solid black; padding: 0 2px;">1</span>	1	
STRUT - SPORT	90000 <span style="border: 1px solid black; padding: 0 2px;">2</span>	2	
STRUT	N140S <span style="border: 1px solid black; padding: 0 2px;">4</span>		
UPPER CONTROL ARM	UCA0004 <span style="border: 1px solid black; padding: 0 2px;">5</span>		
TRIM PACKER	OME95PF5		
UPPER STRUT BUSHES	OME3133 <span style="border: 1px solid black; padding: 0 2px;">2</span>		
STRUT TOP HAT KIT	OMETH002 <span style="border: 1px solid black; padding: 0 2px;">3</span>		

REAR <i>Estimated Lift: 50mm</i>			
	PART NUMBER	QTY	UNIT PRICE \$
<b>SPRING: MEDIUM LOAD</b>	2895	1	
NITROCHARGER SPORT	60004	2	
NITROCHARGER	N141 <span style="border: 1px solid black; padding: 0 2px;">4</span>		
<b>SPRING: CONSTANT 150 KGS</b>	2896	1	
NITROCHARGER SPORT	*60005 / 60004	2	
<b>SPRING: CONSTANT 300 KGS</b>	2897	1	
NITROCHARGER SPORT	60005	2	
STONE GUARD KIT	OME661	1	

**REMARKS:**

- 1** OME front coils can only be installed with OME Nitrocharger strut and coil seats.
- 2** No top mounting bushes supplied, use OME3133. OE bushes may be re-used if in good condition.
- 3** Strut Top Hat Kit may be required if original equipment is worn.
- 4** When remaining stock of N140S and N141 is exhausted no further product will be available.
- 5** The OME Upper Control Arm will provide an increase between +2.5 and +3.5 degrees of caster and up to 1.5 degrees of negative camber increase (figures based off an approximate 50mm lift). Please note after fitment of Upper Control Arm a vehicle wheel alignment will be required.

## 4 RUNNER/TOYOTA SURF 1996 TO 2002 (USA MODEL)

FRONT <i>Estimated Lift: 30mm</i>	PETROL & DIESEL ENGINES		
	PART NUMBER	QTY	UNIT PRICE \$
<b>SPRING: TO 50KGS</b>	2880	1	
<b>SPRING: 51 TO 100KGS</b>	2881	1	
NITROCHARGER SPORT	90004	2	

REAR <i>Estimated Lift: 50mm</i>	ALL MODELS		
	PART NUMBER	QTY	UNIT PRICE \$
<b>SPRING: MEDIUM LOAD</b>	2906	1	
<b>SPRING: CONSTANT 250KGS</b>	2890	1	
NITROCHARGER SPORT	*60027 / 60028	2	
NITROCHARGER	N86 <span style="border: 1px solid black; padding: 0 2px;">1</span>		

**REMARKS:**

- 1** When remaining stock of N86 is exhausted no further product will be available.

## 4 RUNNER 1990 TO 1996 (TO 1995 IN USA)

### IFS REAR COIL SPRING MODELS

FRONT	PETROL & DIESEL ENGINES		
	PART NUMBER	QTY	UNIT PRICE \$
TORSION BARS: OVER 50 KGS	303003 <span style="border: 1px solid black; padding: 0 2px;">1</span>	1	
NITROCHARGER SPORT	60072	2	
STEERING DAMPER	OMESD33	1	

REAR <i>Estimated Lift: 40mm</i>	ALL MODELS		
	PART NUMBER	QTY	UNIT PRICE \$
<b>SPRING: MEDIUM LOAD</b>	2900	1	
NITROCHARGER SPORT	60073		
NITROCHARGER	N72F <span style="border: 1px solid black; padding: 0 2px;">2</span>	2	
<b>SPRING: CONSTANT 150 KGS</b>	2901	1	
NITROCHARGER SPORT	60073		
NITROCHARGER	N72F <span style="border: 1px solid black; padding: 0 2px;">2</span>	2	

**REMARKS:**

- 1** Raise or lower front end clearance and trim vehicle by adjusting front torsion bars.
- 2** When remaining stock of N72F is exhausted no further product will be available.

## 4 RUNNER 1986 TO 1990 (TO 1989 IN USA)

### IFS REAR LEAF SPRING MODELS

FRONT	PETROL & DIESEL ENGINES		
	PART NUMBER	QTY	UNIT PRICE \$
TORSION BARS: OVER 50 KGS	303003 <span style="border: 1px solid black; padding: 0 2px;">1</span>	1	
NITROCHARGER SPORT	60072	2	
STEERING DAMPER	OMESD33	1	

REAR <i>Estimated Lift: 50mm</i>	ALL MODELS		
	PART NUMBER	QTY	UNIT PRICE \$
<b>SPRING: MEDIUM LOAD</b>	CS009R <span style="border: 1px solid black; padding: 0 2px;">2</span> <span style="border: 1px solid black; padding: 0 2px;">3</span>		
NITROCHARGER SPORT	60065	2	
NITROCHARGER	N94 <span style="border: 1px solid black; padding: 0 2px;">4</span>		
<b>SPRING: CONSTANT 200 KGS</b>	CS010R <span style="border: 1px solid black; padding: 0 2px;">2</span> <span style="border: 1px solid black; padding: 0 2px;">3</span>	2	
NITROCHARGER SPORT	60065		
SPRING BUSH KIT	OMESB6	2	
U BOLTS	OMEU53 <span style="border: 1px solid black; padding: 0 2px;">2</span>	4	
	OMEU53B		
GREASABLE SHACKLE KIT	OMEGS3	1	
GREASABLE SHACKLE FIXED END PIN KIT	OMEGP3	1	
EXTRA LEAF	D5XL	2	
CENTRE BOLT	UCB6	2	

**REMARKS:**

- 1** Raise or lower front end clearance and trim vehicle by adjusting front torsion bars.
- 2** Compare original spring stack height to OME spring stack to decide whether OMEU53 or OMEU53B U bolts are required.
- 3** Install OE caster wedges from OE spring stack onto OME springs. Ensure wedges are fitted as per original position.
- 4** When remaining stock of N85 and N94 is exhausted no further product will be available.

## AMAROK 2010 ON ALL MODELS

FRONT <i>Estimated Lift: 20mm</i>	4 CYLINDER DIESEL ENGINE			V6 DIESEL ENGINE										
	PART NUMBER	QTY	UNIT PRICE \$	PART NUMBER	QTY	UNIT PRICE \$								
<b>SPRING: NO BAR</b>	<b>3079</b>	1		<b>3080</b>	1									
STRUT - SPORT	90012 <table border="1"><tr><td>1</td><td>2</td><td>7</td><td>8</td></tr></table>	1	2	7	8	2		90013 <table border="1"><tr><td>1</td><td>2</td><td>7</td><td>8</td></tr></table>	1	2	7	8	2	
1	2	7	8											
1	2	7	8											
<b>SPRING: BAR</b>	<b>3080</b>	1		<b>3115</b>	1									
STRUT - SPORT	90013 <table border="1"><tr><td>1</td><td>2</td><td>7</td><td>8</td></tr></table>	1	2	7	8	2		90013 <table border="1"><tr><td>1</td><td>2</td><td>7</td><td>8</td></tr></table>	1	2	7	8	2	
1	2	7	8											
1	2	7	8											
<b>SPRING: BAR &amp; WINCH</b>	<b>3080</b> <table border="1"><tr><td>6</td></tr></table>	6	1		<b>3116</b>	1								
6														
STRUT - SPORT	90013 <table border="1"><tr><td>1</td><td>2</td><td>7</td><td>8</td></tr></table>	1	2	7	8	2		90013 <table border="1"><tr><td>1</td><td>2</td><td>7</td><td>8</td></tr></table>	1	2	7	8	2	
1	2	7	8											
1	2	7	8											
TRIM PACKER	OME95PF5 <table border="1"><tr><td>2</td><td>6</td></tr></table>	2	6			OME95PF5 <table border="1"><tr><td>2</td></tr></table>	2							
2	6													
2														

REAR <i>Estimated Lift: 20mm</i>	DIESEL ENGINE			
	PART NUMBER	QTY	UNIT PRICE \$	
<b>SPRING: MEDIUM LOAD</b>	<b>CS064R</b> <table border="1"><tr><td>3</td></tr></table>	3	2	
3				
NITROCHARGER SPORT	60082 <table border="1"><tr><td>4</td></tr></table>	4		
4				
<b>SPRING: CONSTANT 400 KGS</b>	<b>CS065R</b> <table border="1"><tr><td>3</td></tr></table>	3	2	
3				
NITROCHARGER SPORT	60083 <table border="1"><tr><td>4</td></tr></table>	4		
4				
SPRING BUSH KIT	OMESB104 <table border="1"><tr><td>3</td></tr></table>	3	2	
3				
STONE GUARD KIT	OME665 <table border="1"><tr><td>4</td></tr></table>	4	1	
4				
U BOLTS - MEDIUM SPRING	OMEU59A	4		
- CONSTANT 400KGS SPRING	OMEU59B			
EXTRA LEAF	D38XL <table border="1"><tr><td>5</td></tr></table>	5	2	
5				
CENTRE BOLT	UCB17			

### REMARKS:

- 1** Top mount bump stop and bushes not supplied, re-use OE items.
- 2** For trimming purposes only, maximum 1 packer per strut.
- 3** Workshop fitting kit FK33 recommended for easier bush install (note: one FK33 kit required per workshop).
- 4** OME665 Lower Shock Mount Stone Guard is **mandatory** fitment to rear shocks to protect against severe stone peppering encountered on loose road surfaces.
- 5** D38XL will give approximately 12mm extra lift or increase loading capacity at design height by approximately 160kgs.
- 6** To achieve 20mm lift for bar and winch, OME95PF5 will need to be fitted with 3080 coil.
- 7** Volkswagen Service Manual quotes that driveshaft bolts are a one use only. It is recommended to replace bolts. Replacement bolts Volkswagen Part Number **N90991102** are to be sourced separately.
- 8** To ensure correct 90012 and 90013 strut fitment please refer to fitting instruction part number 3787896 Amarok Strut Fitting Guide.

**Fitting Time: Due to the complexity of installation allow 5 hours for complete install.**

# SUSPENSION BUSH KIT SELECTION

MODEL	YEAR	LOCN	DESCRIPTION	OME P/NO.	KITS REQ	BUSHES IN KITS	DIAGRAM #	NOTE
<b>DAIHATSU</b>								
F Series All Models	5/93 on	F	Sway bar - link lower	'OMESB2360	1	4	7	
		R	Sway bar - link upper	'OMESB2360	1	4	7	
Feroza All Models	10/88 on	F	Sway bar - link inner/outer	'OMESB2360	2	4	7	
Rocky All Models	4/84 to 93	F	Sway bar - link eye	OMESB0052	1	4	7	
<b>FORD</b>								
Courier 1 Tonne All Models	85 to 2005	F	Sway bar - link	OMESB2361	1	4	2	
		R	Spring bush	OMESB82	2	6	4	
Maverick SWB & Wagon Models	8/87 to 9/93	F	Caster Kit	OMECA77B	1	4	8	
			Coil Packer - 5mm	OMEGQPF05			8	
			Coil Packer - 10mm	OMEGQPF10			8	
			Control arm - to diff front/centre (std)	OMESB0055	1	8	8	
			Control arm - to chassis	OMESB0056	1	4	8	
			Panhard rod	OMESB0054	1	4	8	
			Sway bar - D mount (15mm)	OMESB2365	1	2	8	
			Sway bar - link	OMESB2379	1	8	8	
		R	Coil Packer - 5mm	OMEGQPR05	1		9	
			Coil Packer - 10mm	OMEGQPR10	1		9	
			Control arm - upper	OMESB0062	1	8	9	
			Control arm - lower	OMESB0061	1	8	9	
			Panhard rod	OMESB0054	1	4	9	
			Sway bar - link	OMESB2379	1	8	9	
Maverick Single Cab Models Leaf Springs			Spring & shackle bush kit	OMESB64	2	6	4	Suits OME springs only
Ranger USA Model Only		R	Spring bush	OMESB117	2	6	4	Suits OE shackle
		R	Spring bush	OMESB118	2	6	4	Suits OME greasable shackle OMEGS20
Ranger PXIII	MY19 18 on	R	Spring bush	OMESB117	2	6	4	Suits OE shackle
		R	Spring bush	OMESB118	2	6	4	Suits OME greasable shackle OMEGS20
Ranger PX	11 to 18	R	Spring bush	OMESB117	2	6	4	Suits OE shackle
		R	Spring bush	OMESB118	2	6	4	Suits OME greasable shackle OMEGS20
<b>GMH / ISUZU</b>								
Drover	2/85 on	F	Spring bush	OMESB19	2	6	4	
		R	Spring bush	OMESB19	2	6	4	Suits OE & OME springs
<b>Jackaroo / Trooper Models</b>								
UBS 16 & 17	8/85 to 91	R	Spring & shackle bush kit	OMESB90	2	6	4	Suits OE & OME springs
<b>Rodeo - Isuzu Pick Up Models</b>								
All Models	81 to 87	R	Spring bush	OMESB80	2	6	4	Suits OE & OME springs
V6 Models Only	88 on	R	Spring bush	OMESB80	2	6	4	Suits OE & OME springs
<b>LADA</b>								
Niva	ALL	F	Coil Packer - 10mm	OMELNF10				
<b>LAND ROVER</b>								
Defender 90, 110 & 130, 110 Long Travel, 130 Long Travel Models	92 on	F	Caster kit	CALR2	1	4	8	Suits 44mm wide control arms
County 110 Model	84 to 92	F	Caster kit	CALR1	1	4	8	Suits 38mm wide control arms
Discovery All Models	89 to 99	F	Caster kit	CALR2	1	4	8	Suits 44mm wide control arms
Range Rover	72 to 86	F	Caster kit	CALR1	1	4	8	Suits 38mm wide control arms
Range Rover	86 to 95	F	Caster kit	CALR2	1	4	8	Suits 44mm wide control arms
Defender 110 Long Travel & BP-51 Long Travel excludes Puma Models		R	Bush Kit Trailing Arm Offset Pins	OMESB0068				16mm (Optional)
		R		OMESB0069				20mm (Optional)
<b>MAZDA</b>								
B2500 & B2600 (B Series 1 Tonne)	3/87 to 98	F	Sway bar - link	OMESB2361	1	4	7	
	87 to 2006	R	Spring bush	OMESB82	2	6	4	

1. When remaining stock of OMESB2360 is exhausted, no further product will be available.

cont.

# SUSPENSION BUSH KIT SELECTION

MODEL	YEAR	LOC'N	DESCRIPTION	OME P/NO.	KITS REQ	BUSHES IN KITS	DIAGRAM #	NOTE
<b>MAZDA (continued)</b>								
BT-50	11 to 20	R	Spring bush	OMESB117	2	6	4	Suits OE shackle
		R	Spring bush	OMESB118	2	6	4	Suits OME greasable shackle OMEGS20
<b>MITSUBISHI</b>								
Challenger PA Wagon (Rear Leaf Springs)	98 to 5/00	R	Spring bush	OMESB83	2	6	4	
<b>Pajero</b>								
NG	9/89 to 5/91	F	Sway bar - link inner	OMESB2361	1	4	2	Suits V6 & intercooled diesel models
NA, NB, NC, ND, NE, NF & NG	83 to 5/91	F	Sway bar - link inner/outer	<sup>1</sup> OMESB2360	2	4	2	Suits 4 cyl petrol & diesel models not intercooled
All Leaf Spring Models	5/91 on	R	Spring bush	OMESB8	2	6	4	
<b>Triton</b>								
Club Cab Model Only		F	Sway bar - link inner/outer	<sup>1</sup> OMESB2360	2	4	2	
		R	Spring bush	OMESB38	2	6	4	
MK Models	10/96 on	R	Spring & shackle bush kit	OMESB38	2	6	4	
<b>NISSAN</b>								
Navara D23 NP300 All	2015 on	R	Spring bush	OMESB114	2	6		Suits OE shackle
				OMESB115				Suits OME greasable shackle OMEGS24
Navara D21 All	9/85 to 97	F	Sway bar - link	OMESB2379	1	8	1	
		R	Spring & shackle bush kit	OMESB81	2	6	4	
Navara D22 All	2/97 on		Sway bar - link upper	OMESB2379	1	8	1	
		R	Spring & shackle bush kit	OMESB81	2	6	4	Suits models to 8/02
		R	Spring & shackle bush kit	OMESB91	2	6	4	Suits models 10/02 on
Pathfinder All	8/86 to 94	F	Sway bar - link	OMESB2379	1	8	1	
<b>Patrol</b>								
MQ (Round Head Lights)	80 to 8/84	F	Spring (front eye) bush kit	OMESB28	2	2	4	Use with OMESB29/OE springs use OMESB3
MQ (Square Head Lights)	8/84 to 87	F	Spring (front eye) bush kit	OMESB31	2	2	4	Use with OMESB29 suits OME springs
MQ All Models	80 to 87	F	Spring (rear eye) bush kit	OMESB29	2	1	4	
		R	Spring & shackle bush kit	OMESB2	2	4	4	Suits OE & OME springs
			Spring bush	OMESB29	2	1	4	Suits OME springs
Y60, GQ	11/87 to 97	F	Body mount - bumper area	<sup>1</sup> OMESB9090	1	4		Suits wagon & hardtops, no kit available for CC
		F	Body mount - cab front	<sup>1</sup> OMESB9091	1	4		Suits all wagon to 11/94 & all hardtop models
		F	Body mount - cab centre	OMESB9092	1	4		Suits all wagon & hardtop models
		F	Body mount - cab front & centre	OMESB9092	2	4		Suits pick up & CC models
		F	Caster kit - Control arm	OMECA77B	1	4	8	
		F	Control arm - to axle	OMESB0055	1	8	8	
		F	Control arm - to chassis	OMESB0056	1	4	8	
		F	Spring - eye front/rear & shackle	OMESB1	2	6	4	Suits leaf spring models
		F	Panhard rod - bush	OMESB0054	1	4	8	
		F	Sway bar - link	OMESB2379	1	8	8	Suits coil spring models
		F	Coil Packer - 5mm	OMEGQPF05				
		F	Coil Packer - 10mm	OMEGQPF10				
		R	Body mount - cab rear to axle	OMESB9092	2	4		Suits all wagon models
		R	Body mount - cab rear to axle	OMESB9092	1	4		Suits all hardtop models
		R	Panhard rod - bush	OMESB0054	1	4	9	Not suitable before 9/89
		R	Spring - eye front/rear & shackle	OMESB64	2	6	4	Leaf spring models
		R	Sway bar - link	OMESB2379	1	8	9	Suits CC models with coil suspension
		R	Control arm - lower	OMESB0061	1	8	9	
		R	Control arm - upper	OMESB0062	1	8	9	
		R	Coil Packer - 5mm	OMEGQPR05				

1. When remaining stock of OMESB2360, OMESB9090 and OMESB9091 is exhausted, no further product will be available.

cont.

# SUSPENSION BUSH KIT SELECTION

MODEL	YEAR	LOCN	DESCRIPTION	OME P/NO.	KITS REQ	BUSHES IN KITS	DIAGRAM #	NOTES
<b>NISSAN (Continued)</b>								
<b>Patrol - cont.</b>								
Y60, GQ - (cont.)	11/87 to 97	R	Coil Packer - 10mm	OMEGQPR10				
Y61, GU	10/97 on	F	Body mount - bumper area	<sup>1</sup> OMESB9090	1	4		Suits wagon & hardtop, no kit available for CC
		F	Body mount - cab front	<sup>1</sup> OMESB9091	1	4		Suits all wagon & hardtop models
		F	Body mount - cab centre	OMESB9092	1	4		Suits all wagon & hardtop models
		F	Body mount - cab front & centre	OMESB9092	2	4		Suits all CC models
		F	Caster kit - Control arm - to axle	OMECA77B	1	4	8	
		F	Control arm - to axle	OMESB0055	1	8	8	
		F	Control arm - to chassis	OMESB0056	1	4	8	
		F	Panhard rod - bush	OMESB0054	1	4	8	Suits CC all models & wagon to 02/00
		F	Sway bar - link	OMESB2379	1	8	8	Suits coil spring models to 2001
		F	Sway bar - mount 15mm	OMESB2365	1	2	8	Does not suit ZD30 wagon
		R	Body mount - cab centre to axle	OMESB9092	2	4		Suits all wagon models
			Body mount - cab centre to axle	OMESB9092	1	4		Suits all hardtop models
		R	Panhard rod - bush	OMESB0054	1	4	9	
		R	Trailing arm - lower	OMESB0061	1	8	9	
		R	Sway bar - link	OMESB2379	1	8	9	Suits CC models with coil suspension.
		R	Trailing arm - upper	OMESB0062	1	8	9	
		R	Coil Packer - 5mm	OMEGQPR05				
			Coil Packer - 10mm	OMEGQPR10				
<b>SUZUKI</b>								
Grand Vitara	To 2005	F	Coil Packer - 10mm	OMESJR10				
Jimny SN413	To 2017	R	Coil Packer - 10mm	OMESJR10				
LJ50	74 to 6/78	F	Spring Bush	OMESB25	2	4	4	Suits OE & OME springs
	74 to 6/78	R	Spring Bush	OMESB25	2	4	4	Suits OE & OME springs
LJ80	7/78 to 12/81	F	Spring Bush	OMESB19	2	4	4	Suits OE & OME springs
		R	Spring Bush	OMESB19	2	4	4	Suits OE & OME springs
Sierra SJ410 & SJ413	7/81 to 95	F	Spring Bush	OMESB19	2	4	4	Suits OE & OME springs
		R	Spring Bush	OMESB19	2	4	4	Suits OE & OME springs
<b>TOYOTA</b>								
<b>4 Runner Leaf Spring Front &amp; Rear</b>								
4 Runner (Surf) LN60, YN60	7/84 to 10/85	F	Spring - bush kit	OMESB5	2	6	4	Suits OE & OME springs
		R	Spring - bush kit	OMESB6	2	6	4	Suits OE & OME springs
<b>4 Runner IFS Front Leaf Spring Rear</b>								
4 Runner (Surf) LN61, YN63	11/85 to 9/89	R	Spring - bush kit	OMESB6	2	6	4	Suits OE & OME springs
<b>HiLux IFS Front &amp; Coil Spring Rear</b>								
4 Runner (Surf) LN130, RN130, VZN130, YN130	10/89 to 6/96	F	Sway bar - mount 25mm	OMESB0049	1	2	12	
		R	Sway bar - link	OMESB2915	1	8	7	Suits LN130, RN130 models
		R	Sway bar - link	OMESB3010	1	4	7	Suits VZN130, YN130 models
<b>HiLux 4WD Leaf Spring Front &amp; Rear</b>								
HiLux (Surf) LN36, 46 RN36, 46	4/79 to 10/83	F	Spring - bush kit	OMESB5	2	6	4	Suits OE & OME springs
		F	Sway bar - link	OMESB2915	1	8	4	
		R	Spring - bush kit	OMESB6	2	6	4	Suits OE & OME springs
HiLux (Surf) LN65, YN 65, 67	11/83 to 9/88	F	Spring - bush kit	OMESB5	2	6	4	Suits OE & OME springs
		R	Spring - bush kit	OMESB6	2	6	4	Suits OE & OME springs
HiLux (Surf) RN105, LN106	10/88 to 11/97	F	Spring - bush kit	OMESB5	2	6	4	Suits OE & OME springs
		F	Sway bar - mount 25mm	OMESB0049	1	2	4	
		R	Spring - spring bush	OMESB6	2	6	4	Suits OE & OME springs

1. When remaining stock of OMESB9090 and OMESB9091 is exhausted, no further product will be available.

cont.



# SUSPENSION BUSH KIT SELECTION

MODEL	YEAR	LOCN	DESCRIPTION	OME P/NO.	KITS REQ	BUSHES IN KITS	DIAGRAM #	NOTES
<b>TOYOTA (continued)</b>								
<b>HiLux 4WD IFS Front &amp; Leaf Spring Rear</b>								
HiLux (Surf) LN107, 111, RN106, 110, 111	10/88 to 12/97	F	Sway bar - mount 25mm	OMESB0049	1	2	1	
		R	Spring - bush kit	OMESB43	2	6	4	Suits OME springs only
LN167, 172, RZN169, 174	11/97 on	F	Sway bar - link	OMESB2915	1	8	1	
		F	Sway bar - mount 25mm	OMESB0049	1	2	1	
		R	Spring - bush kit	OMESB43	2	6	4	Suits OME springs only
KZN165	12/99 on	F	Sway bar - link	OMESB3010	1	4	1	
		F	Sway bar - mount 25mm	OMESB0049	1	2	1	
		R	Spring - bush kit	OMESB43	2	6	4	Suits OME springs only
<b>LandCruiser 40 Series</b>								
BJ40, 42, FJ40, 45, JH45, 47	1969 to 12/84	F	Spring - bush kit-to suit 15mm ID	OMESB30	2	6	4	Suits 35mm spring eye
		F	Spring - bush kit-to suit 18mm ID	OMESB1	2	6	4	Suits 35mm spring eye
		R	Spring - bush kit-to suit 15mm ID	OMESB30	2	6	4	Suits 35mm spring eye
		R	Spring - bush kit-to suit 18mm ID	OMESB79	2	6	4	Suits 35mm spring eye & 30mm hanger bracket
		R	Spring - bush kit-to suit 18mm ID	OMESB1	2	6	4	Suits 35mm spring eye
<b>LandCruiser 60 Series</b>								
FJ60, 62, HJ60, 62	11/80 to 8/87	F	Spring - bush kit	OMESB1	2	6	4	
		F	Sway bar - link	OMESB2915	1	8	4	
		R	Spring - bush kit	OMESB1	2	6	4	Suits OE & OME springs
		R	Sway bar - mount 23mm	OMESB2327	1	2	4	
FJ62, HJ60, 61	8/87 to 12/91	F	Spring - bush kit	OMESB1	2	6	4	Suits OE & OME springs
		F	Sway bar - link	OMESB2915	1	8	4	
		F	Sway bar - mount 23mm	OMESB2327	1	2	4	Suits models to 1/90
		R	Spring - bush kit	OMESB1	2	6	4	Suits OE & OME springs
		R	Sway bar - mount 23mm	OMESB2327	1	2	4	
<b>LandCruiser 70 Series</b>								
Bundera (Prado NZ) LJ70, RJ70	1/85 to 12/91	F	Panhard rod - bush	<sup>1</sup> OMESB8133	1	4	10	Suits models to 8/87
		F	Sway bar - link	OMESB2361	2	8	10	
		F	Sway bar - mount 23mm	OMESB2327	1	2	10	Suits models 8/87 - 1/90
		F	Sway bar - mount 25mm	OMESB0049	1	2	10	
BJ70, 73, 74	1/85 to 3/90	F	Spring - bush kit	OMESB1	2	6	4	Suit OE & OME springs
		F	Sway bar - link	OMESB2361	2	8	4	
		F	Sway bar - mount 23mm	OMESB2327	1	2	4	Suits models to 5/86
		F	Sway bar - mount 23mm	<sup>1</sup> OMESB0063	1	2	4	Suits models 6/86 on
		R	Spring - bush kit	OMESB1	2	6	4	Suits OE & OME springs
HJ75	1/85 to 3/90	F	Spring - bush kit	OMESB1	2	6	4	Suits OE & OME springs
		F	Sway bar - link	OMESB2361	2	8	4	
		F	Sway bar - mount 23mm	OMESB2327	1	2	4	Suits models to 5/86
		F	Sway bar - mount 23mm	<sup>1</sup> OMESB0063	1	2	4	Suits models 6/86 on
		R	Spring - bush kit	OMESB16	2	6	4	
FJ70, 73, 75	1/85 to 10/92	F	Spring - bush kit	OMESB1	2	6	4	Suits OE & OME springs
		F	Sway bar - link	OMESB2361	2	8	4	
		F	Sway bar - mount 23mm	OMESB2327	1	2	4	Suits models to 5/86
		F	Sway bar - mount 23mm	<sup>1</sup> OMESB0063	1	2	4	Suits models 6/86 on
		F	Sway bar - mount 25mm	OMESB0049	1	2	4	Suits FJ75 models to 8/91
		R	Spring - bush kit	OMESB16	2	6	4	Suits FJ70, 73 models
		R	Spring - bush kit	OMESB1	2	6	4	
		R	Sway bar - mount 25mm	OMESB0095	1	2	4	Suits bracket height = 38mm
FZJ70, 75, HZJ70, 73, 75	1/88 to 11/99	F	Spring - bush kit	OMESB1	2	6	4	Suits OE & OME springs
		F	Sway bar - link	OMESB2361	2	8	4	
		F	Sway bar - mount 23mm	<sup>1</sup> OMESB0063	1	2	4	Suits HZJ75 models to 4/91
		F	Sway bar - mount 25mm	OMESB0049	1	2	4	Suits HZJ75 models to 4/91

1. When remaining stock of OMESB0063 and OMESB8133 is exhausted, no further product will be available.

cont.

# SUSPENSION BUSH KIT SELECTION

MODEL	YEAR	LOCN	DESCRIPTION	OME P/NO.	KITS REQ	BUSHES IN KITS	DIAGRAM #	NOTES
<b>TOYOTA (continued)</b>								
<b>LandCruiser 70 Series - cont.</b>								
FZJ70, 75, HZJ70, 73, 75 - (cont.)	1/88 to 11/99	F	Sway bar - mount 25mm	OMESB0095	1	2	4	Suits 4/91 on bracket height = 38mm
		R	Spring - bush kit	OMESB16	2	6	4	Suits FJ75 models
		R	Spring - bush kit	OMESB1	2	6	4	Suits HZJ70 & 73 models
		R	Sway bar - mount 25mm	OMESB0095	1	2	4	Suits 4/91 on bracket height = 38mm
PZJ70, 73	3/90 to 2/91	F	Spring - bush kit	OMESB1	2	6	4	Suits OE & OME springs
		F	Sway bar - link	OMESB2361	1	8	4	
		R	Spring - bush kit	OMESB1	2	6	4	Suits OE & OME springs
FZJ78, 79, HDJ78, 79, HZJ78, 79	8/99 on	F	Caster kit	OMECA77B	1	4	10	Caster align offset 3 degree
		F	Control arm - to chassis	OMESB0050	1	4	10	
		F	Sway bar - link outer	OMESB2413	1	2	10	Contains new bolts, nuts & crush tubes
		F	Sway bar - mount 31mm	OMESB2414	1	2	10	
		F	Panhard rod - bush	OMESB0046	1	4	10	
		R	Sway bar - link inner	OMESB3010	1	4	8	
		R	Sway bar - link outer lower	OMESB0052	1	4	4	
		R	Sway bar - link outer upper	OMESB3010	1	4	4	
			Sway bar - mount 25mm	OMESB0095	1	2	4	Suits bracket height = 38mm
			Spring - bush kit	OMESB86	2	6	4	Suits FZJ / HDJ / HZJ78 models with OME springs
			Spring - bush kit	OMESB84	2	6	4	Suits FZJ / HDJ / HZJ79 models with OME springs
			Spring - bush kit	OMESB85	2	6	4	Suits all models with OME springs & greasable shackles
<b>LandCruiser 80 Series</b>								
FJ80, FZJ80, HDJ80, HZJ80	1/90 to 2/98	F	Caster kit	OMECA77B	1	4	10	Caster align offset 3 degree
		F	Control arm - to chassis only	OMESB0050	1	4	10	
		F	Panhard rod - bush	OMESB0046	1	4	10	
		F	Control arm - complete kit	OMESB0045	2	6	10	
		F	Sway bar - link upper	OMESB0051	1	4	10	
		F	Sway bar - link lower	OMESB0044	1	4	10	
		F	Sway bar - mount 24mm	<sup>1</sup> OMESB0063	1	2	10	Suits bracket height = 35mm
		F	Sway bar - mount 26mm	<sup>1</sup> OMESB0094	1	2	10	Suits bracket height = 35mm
		F	Sway bar - mount 26mm	<sup>1</sup> OMESB0091	1	2	10	Suits bracket height = 38mm
		F	Sway bar - mount 29mm	OMESB0092	1	2	10	Suits bracket height = 38mm
		F	Coil Packer - 5mm	OME80PF05			10	
		F	Coil Packer - 10mm	OME80PF10			10	
		R	Panhard rod - bush	OMESB0053	1	4	8	
		R	Sway bar - link lower	OMESB0052	1	4	8	
		R	Sway bar - link upper	OMESB3010	1	4	8	
		R	Sway bar - mount 25mm	OMESB0049	1	2	8	Suits bracket height = 35mm
		R	Sway bar - mount 25mm	OMESB0095	1	2	8	Suits large bracket height = 38mm
		R	Control arm - lower	OMESB0047	1	8	8	
		R	Control arm - upper	OMESB0048	1	8	8	

1. When remaining stock of OMESB0063, OMESB0091 and OMESB0094 is exhausted, no further product will be

cont.

# SUSPENSION BUSH KIT SELECTION

MODEL	YEAR	LOCN	DESCRIPTION	OME P/NO.	KITS REQ	BUSHES IN KITS	DIAGRAM #	NOTES
<b>TOYOTA (continued)</b>								
<b>LandCruiser 100 Series</b>								
FZJ105, HZJ105 Solid Axle	3/98 on	F	Caster kit	OMECA77B	1	4	10	Caster align offset 3 degree
		F	Control arm - complete kit	OMESB0045	2	6	10	STD replacement
		F	Control arm - to chassis only	OMESB0050	1	4	10	
		F	Panhard rod - bush	OMESB0046	1	4	10	
		F	Sway bar - link lower	OMESB0044	1	2	10	
		F	Coil Packer - 5mm	OME80PF05				
		F	Coil Packer - 10mm	OME80PF10				
		F	Sway bar - mount 29mm	OMESB0092	1	2	10	Suits large bracket height = 38mm
		R	Sway bar - link upper	OMESB3010	1	4	8	
		R	Sway bar - link lower	OMESB0052	1	4	8	
		R	Panhard rod - bush	OMESB0053	1	4	9	
		R	Sway bar - mount 25mm	OMESB0095	1	2	8	Suits bracket height = 38mm
		R	Control arm - lower	OMESB0047	1	8	8	
		R	Control arm - upper	OMESB0048	1	8	8	
		R	Coil Packer - 5mm	OME80PR05				
		R	Coil Packer - 10mm	OME80PR10				
<b>LandCruiser Lexus</b>								
HDJ100, UZJ100 (Lexus) IFS	3/98 on	F	Sway bar - link upper	OMESB2361	1	4	7	
		R	Sway bar - link	OMESB2915	1	8	7	
<b>Tacoma</b>								
Tacoma	2016 on	R	Spring - bush kit	OMESB108	2	4	4	
Tacoma V6	2005 to 2015	R	Spring - bush kit	OMESB108	2	4	4	
Tacoma V6 & 4 Cylinder	1998 to 2004	R	Spring bush	OMESB88	2	4	4	Suits OMEGS12 greasable shackles
		R	Spring bush	OMESB89	2	4	4	Suits original shackles only
		R	Spring bush	OMESB121	2	6	4	Suits OE & OMEGS12 greasable shackles
<b>Tundra</b>								
Tundra	2007 on	R	Spring - bush kit	OMESB106	2	6	4	Suits OMEGS122 greasable shackles

cont.

# SUSPENSION BUSH KIT SELECTION

SWAY BARS	D BUSH	EYE BUSH	LINK	LINK BUSH
OMESTAB2	OMESB3020 (PR)		OMESB3012 (PR)	
OMESTAB3	OMESB3013 (PR)	OMESB3016 (PR)	N/A	N/A
OMESTAB4	OMESB3017 (PR)		N/A	N/A
OMESTAB5	OMESB3018 (PR)	OMESB3016 (PR)	OMESB3019 (EA)	OMESB3021 (PR)
OMESTAB6	OMESB3017 (PR)	OMESB3016 (PR)	OMESB3019 (EA)	OMESB3021 (PR)
OMESTAB7				
OMESTAB8				
OMESTAB9	OMESB3020 (PR)	OMESB3016 (PR)	OMESB3019 (EA)	OMESB3021 (PR)

1. When remaining stock of OMESTAB2 is exhausted, no further product will be available.

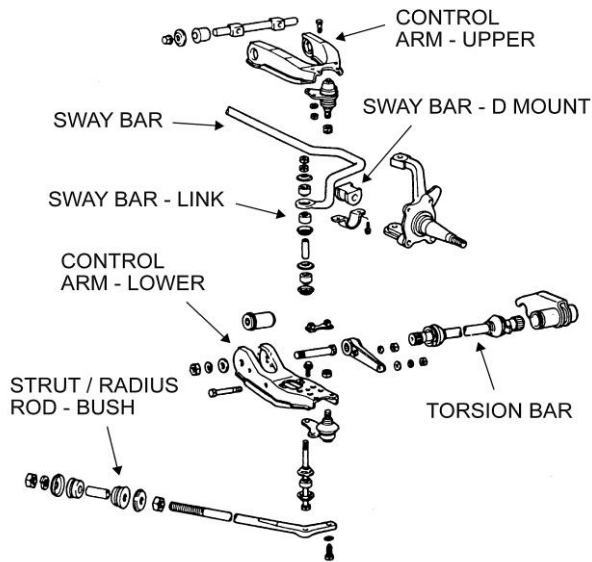
PANHARD RODS	D BUSH	EYE BUSH	UNIT	LINK	LINK BUSH
PANR001	N/A	OMESB3031 (2pk)		N/A	N/A
PANR002	N/A	OMESB3030 (2pk)		N/A	N/A
PANR003	N/A	OMESB3030 (2pk)		N/A	N/A
PANR004	N/A	OMESB3030 (2pk)		N/A	N/A
PANR005	N/A	OMESB0054	2 EYELETS	N/A	N/A
PANR005	N/A	OMESB0054	2 EYELETS	N/A	N/A
PANR005	N/A	OMESB0054	2 EYELETS	N/A	N/A
PANR028X	N/A	OME3098 x 1 OMESB0054 x 1	1 SPHERICAL 1 EYELET	N/A	N/A
PANR029X	N/A	OME3098 x 1 OMESB0054 x 1	1 SPHERICAL 1 EYELET	N/A	N/A
PANR007	N/A	OMESB0046	2 EYELETS	N/A	N/A
PANR008	N/A	OMESB0053	2 EYELETS	N/A	N/A
PANR005	N/A	OMESB0046	1 EYELET	N/A	N/A

1. When remaining stock of PAN3079A is exhausted, no further product will be available.

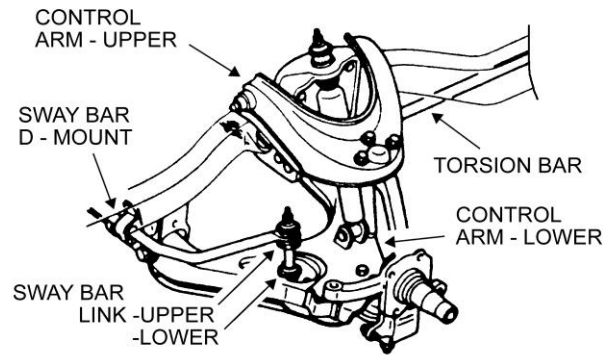
UPPER CONTROL ARMS	EYE BUSH 2PK	BALL JOINT INCLUDES BOOT & HARDWARE	BALL JOINT 2PK BOOTS	BOOT UCA CAP
UCA0001	UCASP001	UCASP002	UCASP003	3460025
UCA0002	UCASP004	UCASP005	UCASP006	3460024
UCA0003	UCASP007	UCASP008	UCASP009	3460026
UCA0004	UCASP010	UCASP002	UCASP011	3460025
UCA0005	UCASP012	UCASP013	UCASP014	3460025

CONTROL ARMS	OME P/NO.	UNIT
LCAJLFR	OMESB3033	SINGLE
LCAJKFR	OMESB3024	SINGLE
LCAJKRR	OMESB3024	SINGLE
LTA3043	OMESB3029	PAIR
LTA3044	OMESB3028	PAIR
UCAJLFR	OMESB3033	SINGLE
UCAJKFR	OMESB3025	SINGLE
UCAJKRR	OMESB3026	SINGLE
UTA3036	OMESB3027	PAIR
UTAA106	OMESB3027	PAIR

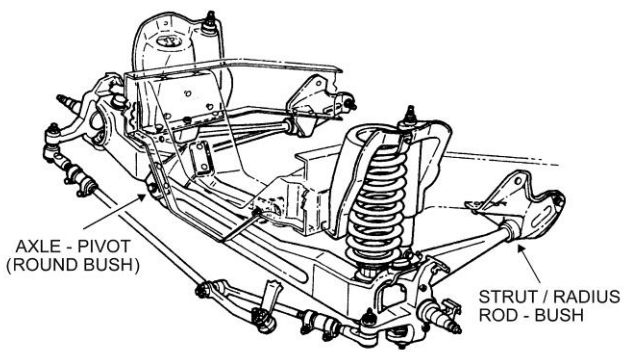
# DIAGRAM REFERENCE FOR SUSPENSION BUSH KITS



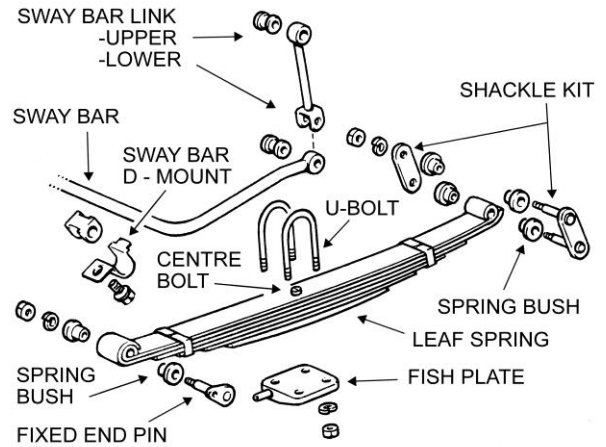
**Diagram 1.**



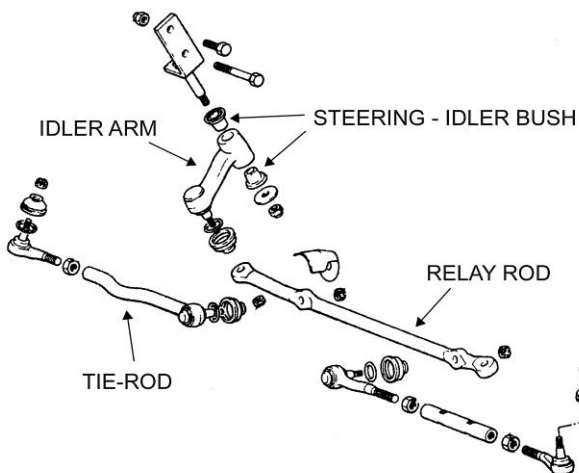
**Diagram 2.**



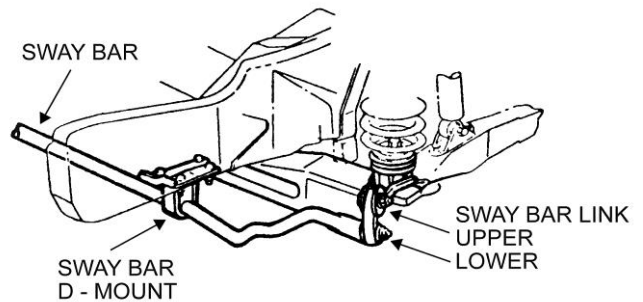
**Diagram 3.**



**Diagram 4.**

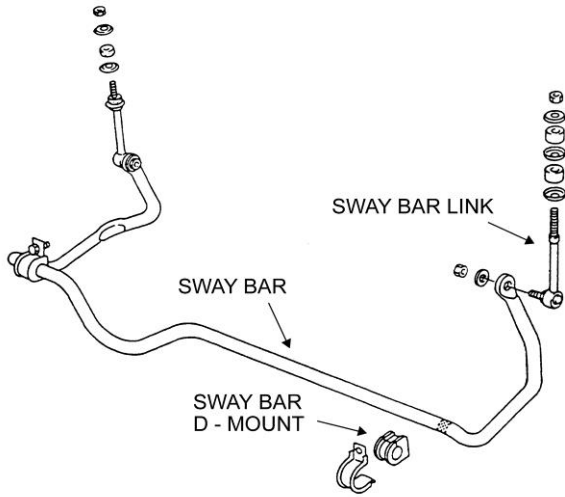


**Diagram 5.**

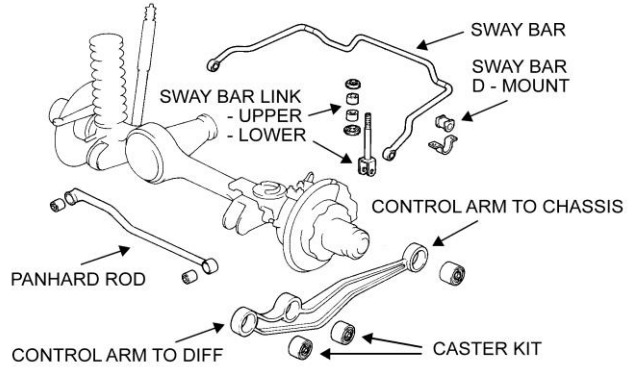


**Diagram 6.**

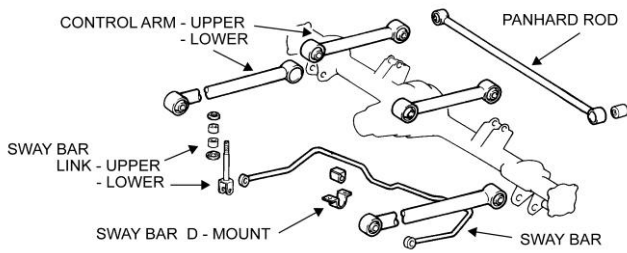
# DIAGRAM REFERENCE FOR SUSPENSION BUSH KITS



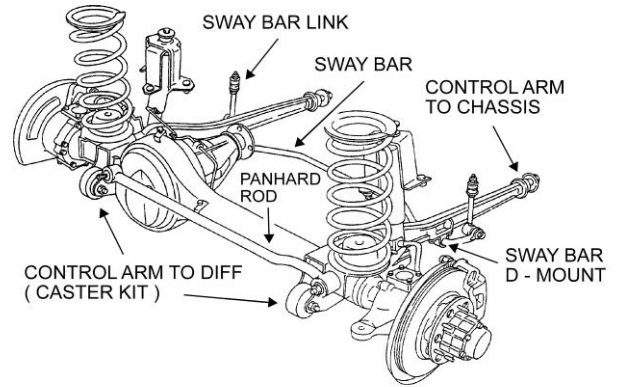
**Diagram 7.**



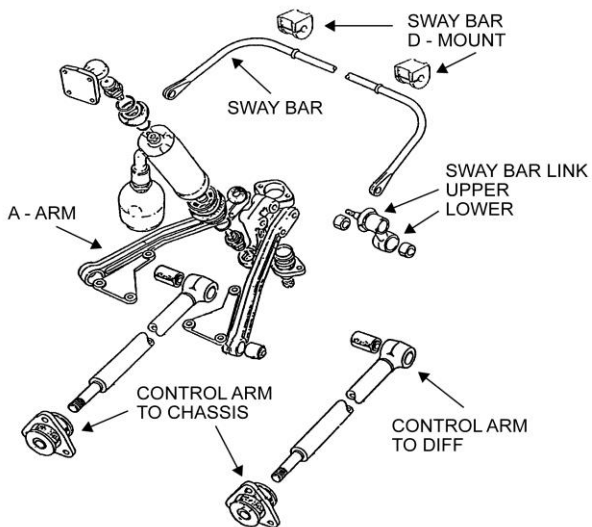
**Diagram 8.**



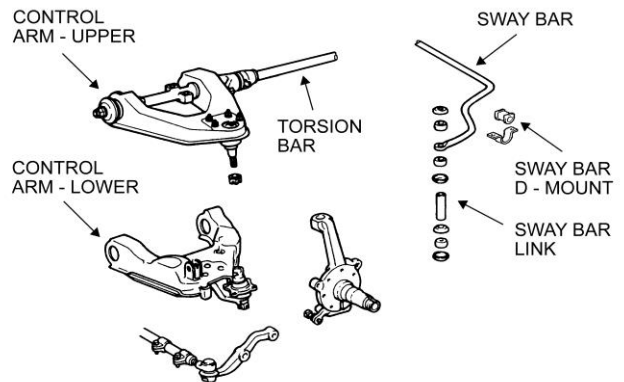
**Diagram 9.**



**Diagram 10.**



**Diagram 11.**



**Diagram 12.**

# APPLICATIONS - SPECIFICATIONS - BUSH KITS

## NUMERICAL SPRING & SHOCK / STRUT BUSH

Kit No.	Component Description	Qty	To Fit
OMESB1	spring bush PT260	6	Toyota 35mm spring eye, 18mm pin OE & OME Series F/H/B, J/ZJ: 75, 74, 73, 70, 60, 47, 45, 42, 40 Nissan GQ Patrol leaf spring models OME only
OMESB2	spring bush PT280 spring bush PT281	2 2	Nissan MQ Patrol all models - rear OE spring
OMESB3	spring bush PT282	2	Nissan MQ Patrol round headlight models - front OE spring eye
<sup>1</sup> OMESB4	spring bush PT230 spring bush PT229	4 2	OBSOLETE
OMESB5	spring bush PT240 spring bush PT231	2 4	Toyota HiLux & 4Runner all leaf spring models pre 1997 (not IFS front)
OMESB6	spring bush PT231	6	Toyota HiLux & 4Runner all leaf spring models pre 1997 (not IFS front, SR5, extra cab rear). 4Runner IFS rear leaf spring models (not pre 1997)
<sup>1</sup> OMESB7	OBSOLETE	6	Toyota FJ55 all models front & rear, 45 Series rear only OE springs 30mm eye
OMESB8	spring bush PT290 spring bush PT291 spring bush PT292	2 2 2	Mitsubishi Pajero to 1991 rear leaf spring models & L200 models
<sup>1</sup> OMEB9	shock bush SP1178 / 19	4	Small eye bush with 19mm bore
OMEB10	shock bush SP056 (cotton reel type)	2	Small eye shock mount
OMEB11	shock bush OME066 / 16	4	Converts large eye 19mm bore to a 16mm bore
<sup>1</sup> OMEB12	shock bush kit	4	Pin 12 x 60 replacement bush
OMEB13	shock bush SP091	4	Pin 10 x 60 replacement bush
OMEB14	shock bush OME1178 / 16	4	Small eye with 16mm bore
OMEB15	shock bush OME066 / 19	4	Large eye with 19mm bore
OMESB16	spring bush PT270	6	40mm spring eye for Toyota 75 series rear springs
OMEB17	shock bush OME066 / 22 sleeve B17S 22 x 16 x 33	2 2	Large eye tapered bush with sleeve
<sup>1</sup> OMEB18	OBSOLETE	2	Converts small eye bush to suit 19mm bore with sleeves
OMESB19	spring bush PT301 spring bush PT302 sleeve B19S 16 x 13 x 65	2 4 1	Suzuki Sierra all models except LJ50 front & rear springs
OMESB20	spring bush PT229	6	Toyota LandCruiser 40 series 25mm OE spring front & rear. Toyota 45 series OE front spring only 25mm eye.
OMESB25	spring bush PT301 spring bush PT302 spring bush PT303 sleeve 16 x 13 x 65	2 2 2 1	Suzuki LJ50 front & rear
OMEB27	sleeve 16 x 13.2 x 33	2	N41 <sup>1</sup> & N81 being converted for fitment to CJ Jeep and Cherokee wagon 83 on front bottom mount. Mahindra front & rear bottom mount. 81 on F100 & Bronco.
OMESB28	spring bush PT284	2	Nissan MQ Patrol early model (round headlights) - front spring, front eye (to be fitted with OMESB29)
OMESB29	spring bush PT285 & sleeve	1	Nissan MQ Patrol all models - front spring, rear eye (to be fitted with OMESB28)
OMESB30	spring bush PT261 spring bush PT229	4 2	Toyota LandCruiser 45/47 Series front spring with 35mm spring eye and hanger bracket with 15mm pin hole
OMESB31	spring bush PT283	2	Nissan MQ Patrol late model (square headlights) - front spring, front eye (to be fitted with OMESB29)
OMEB36	shock bush OME066 / 19	2	large eye 19mm bore
OMESB38	spring bush PT292 spring bush PT291 spring bush PT305 sleeve 19 x 14.2 x 81	2 2 2 1	All Triton to 1997 and L200 - rear - suits OME springs only

1. When remaining stock is exhausted no further product will be available.

cont.

# APPLICATIONS - SPECIFICATIONS - BUSH KITS

## NUMERICAL SPRING & SHOCK / STRUT BUSH

Kit No.	Component Description	Qty	To Fit
OMEB40	shock bush OME 066-19MGQ	2	<sup>1</sup> N101, <sup>1</sup> N22F & N29 Patrol GQ lower mount - rear shock
OMEB42	shock bush 3051Y	8	pin 14 x 70 replacement
OMESB43	spring bush PT304 spring bush PT309 spring bush PT231 sleeve 19 x 14.1 x 68	2 2 2 1	Toyota HiLux IFS extra cab & SR5 dual cab models being fitted with OME18 <sup>1</sup> series spring. 1997 to 2004 all models, pre 1997 IFS & rear leaf models
OMESB57	spring bush PT306 spring bush PT307 sleeve 19 x 15 x 73	4 2 1	Jeep Wrangler YJ - front & rear to suit OE shackles Jeep Wrangler YJ - front & rear to suit OE shackles
OMESB64	spring bush PT270 spring bush PT260	4 2	Nissan Patrol GQ leaf spring cab chassis OME spring - rear
<sup>1</sup> OMESB75	spring bush LA118 spring bush LA119 sleeve 19 x 14.3 x 91 sleeve 19 x 15 x 70	2 4 1 2	Land Rover Series III 88" & 109" spring & shackle bushes OE replacement - front
<sup>1</sup> OMESB76	spring bush kit	6 3	Land Rover series III 88" & 109" spring & shackle bushes OE replacement - rear
<sup>1</sup> OMEB77	shock bush kit	4	Land Rover Series III 88" & 109" lower shock bush - rear
<sup>1</sup> OMEB78	steering damper bush kit	4	Pin 10 x 60mm steering stabiliser mount
OMESB79	spring bush PT308 spring bush PT231A	4 2	LandCruiser F/HJ45, 47 LWB models - OME spring
OMESB80	spring bush PT304 spring bush PT231 sleeve 19 x 14 x 68	2 4 1	Holden / Isuzu Rodeo 1 tonne rear spring to suit OE & OME springs
OMESB81	spring bush PT310 spring bush PT311 sleeve 22 x 18 x 70	4 2 1	Nissan Navara 1 tonne rear spring to suit OE & OME springs
OMESB82	spring bush PT281 spring bush PT314 spring bush PT315 sleeve 22 x 17 x 68	2 2 2 1	Ford Courier 1 Tonne 4x4 1985 To 2005 All Models Mazda B Series 1 Tonne 1987 To 2006 rear spring OME only
OMESB83	spring bush PT291 spring bush PT292 spring bush PT316 sleeve 22 x 16 x 80	2 2 2 1	Mitsubishi Challenger 1998 to 2000 PA LWB leaf spring rear / Montero rear spring to suit OME19 <sup>1</sup> only
OMESB84	spring bush PT317 spring bush PT318 sleeve 20 x 14 x 86	2 4 2	Toyota LandCruiser 79 Series cab chassis & utility model only suit OME springs only
OMESB85	spring bush PT270 spring bush PT317	4 2	Toyota LandCruiser 78 & 79 Series must be used with OME springs & greasable shackle kit only. 70 Series Dual Cab.
OMESB86	spring bush PT327 spring bush PT318 spring bush PT319 sleeve 20 x 14 x 86	2 2 2 1	Toyota LandCruiser 76 & 78 Series Rear suit OME springs with OE shackles.
OMESB87	spring bush PT307 spring bush PT320 spring bush PT321 sleeve 19 x 15 x 73	2 2 2 1	Jeep YJ Wrangler front and rear Use only with greasable shackle OMEGS11
OMESB88	spring bush PT322 spring bush PT323	2 2	Toyota Tacoma 98 to 04 rear shackle bushes only Use with OME springs & OMEGS12 greasable shackles.
OMESB89	spring bush PT322 spring bush PT323 sleeve 18 x 14 x 69	2 2 1	Toyota Tacoma 98 to 04 rear shackle bushes for OEM shackles
OMESB90	spring bush PT231 spring bush PT282	4 2	Holden/Isuzu Jackaroo Trooper 1982-92 rear OME spring

1. When remaining stock is exhausted no further product will be available.

cont.



# APPLICATIONS - SPECIFICATIONS - BUSH KITS

## NUMERICAL SPRING & SHOCK / STRUT BUSH

Kit No.	Component Description	Qty	To Fit
OMESB91	spring bush PT310	2	Nissan Navara D22 model - rear spring to suit OE & OME springs
	spring bush PT311	2	
	spring bush PT326	2	
	sleeve 22 x 18 x 70	1	
OMESB93	spring bush PT260	4	Toyota LandCruiser HZJ71 & HZJ74
	spring bush PT317	2	
1OMESB95	spring bush PT326	2	Nissan D40 Navara suits OE shackle kit only
	spring bush PT331	2	
1OMESB96	spring bush PT324	2	Nissan D40 Navara suits OME greasable shackle kit only
	spring bush PT325	2	
OMESB97	spring bush PT281	2	Ford Ranger 06 to 11 / Mazda BT50 06 To 11
	spring bush PT314	2	
	spring bush PT333	2	
	sleeve 19 x 14 x 72	1	
OMESB98	spring bush PT328	2	Toyota HiLux 2005 on to suit OE & OME springs. Holden Colorado 12 on / Isuzu DMAX 12 to 2020 suits OME Greasable Shackle, OMEGS14.
	spring bush PT329	2	
	spring bush PT333	2	
	sleeve 19 x 14 x 72	1	
OMESB99	spring bush PT282	2	Nissan Navara D40 suits original shackle kit only.
	spring bush PT326	2	
	spring bush PT331	2	
	sleeve 18 x 14 x 69	1	
OMESB100	spring bush PT282	2	Nissan Navara D40 suits OME greasable shackle kit: OMEGS15
	spring bush PT324	2	
	spring bush PT325	2	
	sleeve 18 x 14 x 69	1	
OMESB101	spring bush PT319	4	Toyota LandCruiser 79 Series suits original shackle & pin from 07/2009 on / 70 Series Dual Cab
	spring bush PT327	2	
OMESB102	spring bush PT310	2	Ford Ranger PX 2011 on / Mazda BT-50 2011 to 2020 suits
	spring bush PT333	2	
	spring bush PT336	2	
	sleeve 19 x 14 x 72	1	
OMESB103	spring bush PT335	2	Ford Ranger PX 2011 on / Mazda BT-50 2011 to 2020 suits OME greasable shackle kit OMEGS20
	spring bush PT333	2	
	spring bush PT281	2	
	sleeve 19 x 14 x 72	1	
OMESB104	bush leaf spring VW-007	1	Volkswagen Amarok
	bush leaf spring VW-008	1	
OMESB105	spring bush PT324	4	Nissan Navara D22 suits OME greasable shackle
	spring bush PT311	2	
	sleeve 22 x 18 x 70	1	
OMESB106	spring bush PT317	2	Toyota Tundra 2007 on suits OME greasable shackle OMEGS22
	spring bush PT282	2	
	spring bush PT333	2	
	sleeve 19 x 14 x 72	1	
OMESB107	spring bush PT333	2	Holden Colorado12 on / Isuzu DMAX 12 to 2020 suits OE shackle
	spring bush PT337	2	
	spring bush PT338	2	
	sleeve 19 x 14 x 72	1	
OMESB108	spring bush PT333	4	Toyota Tacoma 2016 On / Tacoma V6 05 to 15 suits OE shackle
	sleeve 19 x 14 x 72	2	
OMESB109	spring bush PT341	4	Ford F250, F350 2011 to 2017 / F250, F350 2008 To 2010
	sleeve 26 x 20 x 89	1	
	sleeve 26 x 16 x 89	1	
OMESB113	spring bush PT345	2	Mitsubishi Triton MR, MQ suits greasable shackle OMEGS23
	spring bush PT291	2	
	spring bush PT344	2	
	sleeve 19 x 14 x 78	1	

1. When remaining stock is exhausted no further product will be available.

cont.

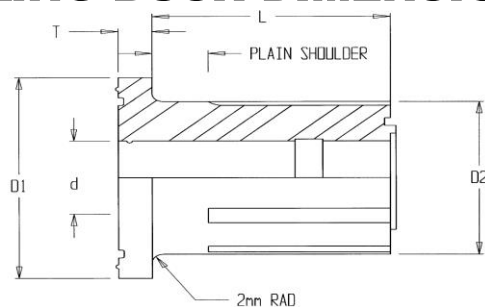
# APPLICATIONS - SPECIFICATIONS - BUSH KITS

## NUMERICAL SPRING & SHOCK / STRUT BUSH

Kit No.	Component Description	Qty	To Fit
OMESB114	spring bush PT326 spring bush PT282 sleeve 18 x 14 x 69	4 2 1	Nissan Navara NP300 2015 on Series 1, 2, 3, 4 & 5 suits OE shackles
OMESB115	spring bush PT324 spring bush PT282 Sleeve 18 x 14 x 69	4 2 1	Nissan Navara NP300 2015 on Series 1, 2, 3, 4 & 5 suits OME greasable shackle
OMESB116	spring bush PT333 spring bush PT346 sleeve 19 x 14 x 76 sleeve 22 x 16 x 76	2 2 1 1	Chevrolet Colorado 2015 on USA model
OMESB117	spring bush PT310 spring bush PT346 spring bush PT336 sleeve 22 x 14 x 73	2 2 2 1	Ranger PXIII MY19 2018 on / Ranger PX 2011 to 2018 / BT-50 2011 to 2020 suits OE shackles
OMESB118	spring bush PT281 spring bush PT335 spring bush PT346 sleeve 22 x 14 x 73	2 2 2 1	Ranger USA model / Ranger PXIII MY19 2018 on / Ranger PX 2011 to 2018 / BT-50 2011 to 2020 suits OME greasable shackle
OMESB119	spring bush PT333 spring bush PT328 OME spring bush PT354 sleeve 19 x 14 x 73	2 2 2 1	Isuzu DMAX 2021 on / Mazda BT-50 2021 on suits greasable shackle OMEGS26
OMESB120	spring bush PT333 spring bush PT337 OME spring bush PT353 sleeve 19 x 14 x 73	2 2 2 1	Isuzu DMAX 2021 on / Mazda BT-50 2021 on suits OE shackle
OMESB121	spring bush PT322 spring bush PT282 sleeve 18 x14 x 69	2 4 2	Toyota Tacoma V6 & 4 cylinder 1998 To 2004
OME3101	upper bush 3101A lower bush 3010B crush tube F0043	1 1 1	Mitsubishi Pajero 2000 to 2006 all SWB & LWB Models
OME3121	upper bush 67257 lower bush 67258 washer 5w327 F1528 16 x 10.2 x 36	1 1 2 1	Mitsubishi Pajero Sport 2015 on / Triton ML / Triton MN / Challenger 2010 to 2015
OME3125	upper bush 68509A-2 lower bush 68510-2 washer 5w327	1 1 2	Toyota Landcruiser 200 Series
OME3133	upper bush 68351 lower bush 68352 washer 5w327	1 1 2	Toyota HiLux 05 on / Prado 150 not Kakadu or SWB 09 on coil sprung / Prado 120 / FJ Cruiser / Fortuner / 4 Runner 03 on USA models / Tacoma V6 05 to 15 / Tacoma 16 on
OME3134	upper bush 68201 lower bush 68202 washer 5w327	1 1 2	Holden Trailblazer 2017 on / Colorado 7 2013 to 2016 /Colorado 2012 on / Isuzu DMAX 2012 on / MU-X 2013 on / Mazda BT-50 2021 on
OME3135	upper bush 68168 lower bush 68169 washer 5w327 crush tube F1281	1 1 2 1	Ford Ranger PX 2011 to 2018 / Everest 2015 to 2018 Mazda BT-50 2011 to 2020
OME3139	upper bush 67496 lower bush 67496 washer 5w327 crush tube F0055	1 1 2 1	Nissan Navara D23 NP300 15 to 18 Series 1, 2 & 3 / D40 & USA Frontier 05 on / Pathfinder R51 05 to 2014 not USA model / Xterra 2005 on / Suzuki Equator USA only

# SPECIFICATIONS - BUSH KITS

## OLD MAN EMU POLYURETHANE SPRING BUSH DIMENSIONS

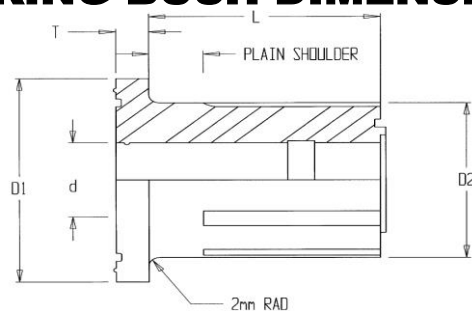


Dimensions					
Part No.	D1	D2	d	T	L
PT229	38.0	25.0	15.0	5.0	33.0
PT230	32.0	25.0	15.0	3.15	33.0
PT231	40.0	30.0	18.0	4.50	28.0
PT240	40.0	30.0	18.0	4.75	45.0
PT260	49.0	35.0	18.0	6.30	33.0
PT261	45.0	35.0	15.0	4.0	33.0
PT270	50.0	40.0	18.0	6.30	33.0
PT280	44.0	32.70	18.0	5.50	40.0
PT281	40.0	32.70	18.0	4.75	28.0
PT282	54.0	40.0	18.0	4.75	28.0
PT283	44.0	32.70	18.0	6.09	28.0
PT285	None	32.90	16.20	None	60.0
PT290	45.0	31.50	18.0	4.62	33.0
PT291	40.0	28.0	16.0	5.25	43.0
PT292	40.0	27.50	16.0	5.25	33.0
PT301	50.0	40.0	16.0	7.90	23.0
PT302	40.0	30.0	13.0	4.20	23.0
PT304	52.0	40.0	19.0	4.75	28.0
PT305	43.0	31.5	19.0	5.80	33.0
PT306	44.0	31.60	18.0	6.0	28.0
PT307	50.0	37.6	19.0	6.0	28.0
PT309	40.0	30.0	18.0	4.20	38.0
PT310	42.0	32.70	20.0	4.50	28.0
PT311	52.0	40.0	22.2	5.25	28.0
PT314	44.0	32.0	18.0	5.3	38.0
PT315	40.0	32.7	22.2	4.20	28.0
PT316	43.0	31.5	22.2	5.25	33.0
PT317	53.0	40.0	18.0	6.30	41.0
PT318	53.0	40.0	20.0	8.40	33.0
PT319	53.0	40.0	18.0	10.50	33.0
PT320	44.0	31.50	18.0	6.85	28.0
PT321	44.0	32.0	18.0	5.25	31.0
PT322	41.0	30.0	18.0	4.20	42.0
PT323	41.0	30.0	18.0	4.75	28.0
PT324	40.0	32.70	19.0	4.20	28.0
PT325	40.0	33.0	19.0	4.20	42.0
PT326	41.0	32.70	20.0	4.20	28.0
PT327	53.0	40.0	18.0	8.40	41.0
PT328	40.0	30.0	19.0	4.20	28.0
PT329	42.0	30.0	19.0	4.20	42.0
PT330	54.0	39.60	19.0	6.30	28.0
PT331	48.0	33.0	20.0	4.20	42.0
PT333	56.0	40.0	19.0	6.85	28.0
PT335	45.0	32.0	18.0	4.75	47.0
PT336	42.0	32.0	20.0	4.50	47.0
PT337	39.0	30.0	18.0	4.20	28.0

cont.

# SPECIFICATIONS - BUSH KITS

## OLD MAN EMU POLYURETHANE SPRING BUSH DIMENSIONS



Dimensions					
Part No.	D1	D2	d	T	L
PT338	39.0	30.0	18.0	4.50	42.0
PT341	50.0	42.0	26.0	6.75	36.0
PT342	50.0	40.0	21.20	5.25	28.0
PT343	50.0	42.0	21.20	5.25	28.0
PT344	52.0	40.0	19.0	9.50	28.0
PT345	41.0	27.0	16.0	5.25	28.0
PT346	65.0	50.0	22.20	6.85	28.0
PT347	53.0	40.0	18.0	9.20	33.0
PT353	39.0	30.0	19.0	3.70	50.5
PT354	40.0	30.0	20.0	4.20	50.5

# SPECIFICATIONS - FITTING KITS

## SUSPENSION FITTING KITS

Part No.	Contains	Vehicle	Position	Refer to:
FK01	16 x Flat Washer	Toyota LC 60 Series	Front	Manual Sec. 4 GFI - Front suspension installation
FK03	2 x Saddle Correction Plate	HiLux Pre 1997 Petrol	Front	Manual Sec. 4 GFI - Front suspension installation
FK0411	4 x Retainer Spacer 11mm	Toyota LC 60 Series	Rear	Manual Sec. 4 GFI
FK0418	4 x Retainer Spacer 18mm	Toyota LC 60 Series	Rear	Manual Sec. 4 GFI
FK0422	4 x Retainer Spacer 22mm	Toyota LC 60 Series	Rear	Manual Sec. 4 GFI - Rear suspension installation
FK047	4 x Retainer Spacer 7mm	Toyota LC 60 Series	Rear	Manual Sec. 4 GFI - Rear suspension installation
FK06	2 x Stabiliser Bar Packer 3mm	Drover / Sierra (SJ413)	Front	Manual Sec. 4 GFI - Front suspension installation
FK08	2 x Anti-Inversion Plate	Toyota LC 60, 75 Series All 40 & 70 Series, Nissan GQ Patrol, Ford Maverick ute & c/c	Front & Rear	Manual Sec. 8 Technical - Shackle Modification
FK09	2 x Anti-Inversion Plate	Toyota HiLux All Models	Rear	Manual Sec. 8 Technical - Shackle Modification
FK10	2 x Short Gussett Plate 2 x Long Gussett Plate	HiLux Pre 97 Petrol & Diesel Used Off Road	Front	Manual Sec. 8 Technical - HiLux Front Springs
FK13	2 x Anti-Inversion Side Plate	Toyota HiLux All Models	Rear	Manual Sec. 4 GFI
FK14	2 x Anti-Inversion Plate	Isuzu 1 Tonne P/Up	Rear	Fitting instructions supplied with kit
FK15	2 x Anti-Inversion Side Plate	HiLux / Tiger 97 to 04	Rear	Fitting instructions supplied with kit
FK16	2 x 20mm Bump Stop Spacer	Jeep Wrangler TJ	Rear	Fitting instructions supplied with kit
FK18	2 x Bracket 3 x Bolt 3 x Washer 3 x Nut	Nissan GU Patrol	Rear Sway Bar	Fitting instructions supplied with kit
FK19	4 x Spacer Plate 4 x 35mm Bolt 4 x Spring Washer	LandCruiser 70S DC, 76S Wagon, 78S & 79S SC Models	Front Sway Bar	Fitting instructions supplied with kit
<sup>1</sup> FK20	6 x Spacer Plate 8 x Bolt M8 x 1.25 x 35mm 8 x Flat Washer	Land Rover Discovery 1999 on Models	Front Cross Member	Fitting instructions supplied with kit
FK21	1 x Bracket 2 x Bolt M8 2 x Flat Washer 2 x Hex Nut	Toyota Tacoma V6 & 4 cylinder 1998 to 2004	Rear Exhaust Bracket	
FK22	2 x Shock Tower Support 2 x Captive Nut 4 x Bolt M10 x 1.5 x 30mm 4 x Flat Washer 4 x Spring Washer	Ford Courier 85 to 05 1 tonne pickup / Ranger PJ 12/06 to 11 / Mazda B Series 87 to 06 / BT-50 12/06 to 11	Front	Fitting instructions
FK23	1 x Strut Adaptor	Toyota RAV 4 1998 to 2000	Front	Fitting instructions
FK24	2 x Bracket 6 x Bolt 11 x Flat Washer 6 x Nut Nyloc	Nissan Y61 Patrol with stabiliser bar release	Rear Sway Bar	Fitting instructions
FK25	2 x Spacer Block 4 x Bolt 4 x Flat Washer 4 x Spring Washer	Nissan Y61 Patrol Oil Pan Kit	Front	Fitting instructions
FK26	2 x Side Plate	Isuzu DMAX & Holden Colorado RC 08 to 11 Holden Rodeo 03 to 11	Rear	Fitting instructions supplied with kit
FK27	2 x Support Bracket	Toyota LandCruiser 100 Series IFS	Torsion Bar Locating Bracket	Fitting instructions supplied with kit
<sup>1</sup> FK28	2 x Spacer 2 x Stud	Suzuki XL7 2001 to 2005	Front	Fitting instructions supplied with kit
FK29	2 x Spacer 2 x Bolt M10 x 1.25 x 35mm 2 x Flat Washer M10 x 25mm 2 x Spring Washer M10 x 1/8	Toyota Fortuner 2015 on Toyota Tacoma 2016 on Toyota Tacoma V6 2005 to 2015	Rear Drive Shaft	Fitting Instructions
FK30	2 x Anti-Inversion Bracket	Triton MK / L200 to 96	Rear	Fitting Instructions

1. When remaining stock is exhausted no further product will be available.

cont.

# SPECIFICATIONS - FITTING KITS

## SUSPENSION FITTING KITS

Part No.	Contains	Vehicle	Position	Refer to:
FK31	1 x Bracket 6 x Bolt 4 x Nut x M10 2 x Nut x M10 Caged 3.3 6 x Spring Washer 10 x Flat Washer	Ford F250, F350 1999 to 2004 Dual Cab Models / 2005 to 2008 Crew Cab Models	Rear	Fitting instructions
FK32	1 x 3199908 Bracket 1 x 3199909 Kit 2 x Bolt M8 x 1.25 x 20 2 x Hex Nyloc Nut 4 x Flat Washer	Toyota Tundra 2007 on	Front	Fitting instructions
FK33	Spring Bush Installation Tool	Volkswagen VK Amarok	Front	Fitting Instructions
FK34	2 x Bracket	Toyota LandCruiser 78 Series	Rear Sway Bar Mounts	Fitting Instructions
FK35	1 x Spacer 2 x Bolt 2 x Nut 2 x Washer	Ford F250, F350 1999 to 2004 / F250, F350 2005 to 2008 Xtra Cab Models	Rear	Fitting Instructions
FK36	4 x Bracket 8 x Bolt M8 x 1.25 x 20 8 x Nut M8 x 1.25 16 x Washer	Ford F250, F350 2005 to 2008 V8 Diesel Coil Spring Models	Front	Fitting instructions supplied with kit
FK37	1 x Bracket 2 x Bump Stop Spacer 1 x Extension Plate 4 x Packer 2 x Bolt M14 x 1.5 2 x Nut M14 x 1.5 8 x Washer 2 x Bolt M12 x 1.25 2 x Nut M12 x 1.25 4 x Bolt M8 x 1.25 x 20 4 x Flanged Nuts M8 x 1.25	Jeep Wrangler JK LHD 2006 to 2017 2 & 4 Door Models	Rear	Fitting instructions supplied with kit
FK38	2 x Anti-Inversion Plate	Toyota LandCruiser 76 Series Wagon	Rear	Fitting instructions supplied with kit
FK39	1 x Bracket 2 x Bump Stop Spacer 1 x Extension Plate 4 x Packer 2 x Bolt M14 x 1.5 2 x Nut M14 x 1.5 8 x Washer 2 x Bolt M12 x 1.25 2 x Nut M12 x 1.25 4 x Bolt M8 x 1.25 x 20 4 x Flanged Nut M8 x 1.25	Jeep Wrangler JK RHD 2006 to 2017 2 & 4 Door Models	Rear	Fitting instructions supplied with kit
FK40	4 x Bump Stop Spacer 2 x Bolt M10 x 1.5 x 75 4 x Bolt M8 x 1.25 x 70 4 x Washer 2 x Flanged Nut 4 x Nut Nyloc	Jeep Wrangler JK Off Road Use	Front & Rear	Fitting instructions supplied with kit
FK41	2 x Bracket Assembly Bump Stop Spacer	Nissan GU Patrol - Leaf Sprung	Rear	Fitting instructions supplied with kit
FK42	2 x Sway Bar Packer 4 x Bolt M10 x 1.25 x 35 4 x Flat Washer M10 4 x Spring Washer M10	Nissan Xterra 2005 on	Rear	Fitting instructions supplied with kit
FK43	4 x Backing Plate 4 x Backing Plate Wear Clip 4 x Bolt M8 x 1.25	Nissan Y61 Patrol - Leaf Sprung	Rear	Fitting instructions supplied with kit

cont.

# SPECIFICATIONS - FITTING KITS

## SUSPENSION FITTING KITS

Part No.	Contains	Vehicle	Position	Refer to:
FK43 (cont.)	4 x Nyloc Hex Lock Nut 4 x Tube Spacer	Nissan Y61 Patrol - Leaf Sprung	Rear	Fitting instructions supplied with kit
FK44	2 x Saddle Bracket 2 x HD Bar Bracket (1 x RH, 1 x LH) 10 x Flat Washer M8 x 17 10 x Bolt M8 x 1.25 x 25 10 x M8 Spring Washer	Toyota LandCruiser 76/78/79 Series	Rear	Fitting instructions supplied with kit
FK45	2 x Axle Mount Bracket (1 x RH, 1 x LH) 1 x OMEU74 U Bolt 1 x OMEU75 U Bolt 2 x Saddle Bracket 1 x Brake Line Bracket 2 x Dropper Bracket (1 x RH, 1 x LH) 3 x Spacer Wing Mount 1 x Grub Screw M10 x 1.25 x 10 1 x M10 Flat Washer 1 x Nut Flange M10 x 1.25 9 x Flat Washer M8 x 17 9 x BZ Bolt M8 x 1.25 x 25 9 x Spring Washer M8 x 3/32 x 3/32	Toyota LandCruiser 76/78/79 Series	Rear	Fitting instructions supplied with kit
FK46	2 x Front Brake Line Bracket (1 x RH, 1 x LH) 2 x Rear Brake Line Bracket (1 x RH, 1 x LH) 1 x Hand Brake Bracket 6 x Bolt M6 x 1.0 x 20 8.8BZ 10 x Washer M6 x 20 16G 5 x Nyloc Nut M6 x 1 2 x Spring Washer M6 x 2.5 x 1.6 2 x Caged Nut M6 1.7 - 2.5	Jeep Wrangler JK Off Road Use	Front Rear	
FK47	1 x Track Bar Bracket 1 x Track Bracket Spacer 2 x U Bolt 1 x Bolt M14 x 1.5PX80 2 x Spacing Washer M14 x 23.5 x 5mm 1 x Nyloc Nut M14 x 1.5	Jeep Wrangler JK LHD Off Road Use	Rear	
FK47RHD	1 x Track Bar Bracket 1 x Track Bar Bracket Spacer 2 x U Bolt 1 x Bolt M14 x 1.5PX80 2 x Spacing Washer M14 x 23.5 x 5mm 1 x Nyloc Nut M14 x 1.5	Jeep Wrangler JK RHD Off Road Use	Rear	
FK48	2 x Front Sway Bar Link 2 x Rear Sway Bar Link 2 x Dis-Connect Pin 2 x Park Pin 2 x Sway Bar Bracket (1 x RH, 1 x LH) 2 x R-Clip 3.0 TZP 2 x Bolt 7/16 x 3 1/2 GR5 4 x Flat Washer 7/16 2 x Spring Washer 7/16 x 5/32 x 3/32 2 x Nut 7/16 2 x Nyloc Nut M12 2 x Nyloc Nut M10 x 1.25 2 x Flat Washer 1/2 x 1 1/8 x 3mm 2 x Flat Washer M10 x 20.6 x 2mm Fitting Grease	Jeep Wrangler JK Off Road Use	Front Rear	
FK49	8 x Driveline Packer 3 x Crossmember Spacer 2 x Flange Bolt M14 x 1.5 x 110 GR10.9 2 x Flange Bolt M14 x 1.5 x 10 GR10.9 4 x Flange Nut Conelock M14 x 1.5 Class 10 3 x Bolt M12 x 1.5 x 50mm 8.8	Jeep Wrangler JK Off Road Use	Front Rear	

cont.

# SPECIFICATIONS - FITTING KITS

## SUSPENSION FITTING KITS

Part No.	Contains	Vehicle	Position	Refer to:
FK49 (cont.)	3 x Flat Washer 1/2 x 1 1/8 x 3mm 3 x Spring Washer 1/2 x 3/16 x 1/8 2 x Cable Tie 4.8 x 200mm	Jeep Wrangler JK Off Road Use	Front Rear	
FK50	1 x Stabiliser Plate 1 x Stabiliser Spacer 1 x Bolt M10 x 1.25 x 25 8.8 1 x Flat Washer M10 x 20.6 x 2mm 1 x Flange Nut M10 x 1.25 FP	Jeep Wrangler JK 2006 to 2017 2 & 4 Door Models	Front	Fitting instructions supplied with kit NB: Mandatory on 06 to 08 LHS models when fitting OMESD48.
FK51	2 x Brake Proportioning Bracket 2 x Flange Nut M8 x 1.25 BZ 2 x Flat Washer M8 x 17 x 1.2 2 x Bolt M8 x 1.25PX20	Toyota LandCruiser pre 08/2016 production 70S DC / 76S Wagon / 78S / 79S SC	Rear	Fitting instructions supplied with kit NB: Check 79S & 70S DC prior to kit selection. Not required for BP-51
FK53	4 x Driveline Packer 2 x Flange Bolt M14 x 1.5 x 110 GR10.9 2 x Flange Nut Conelock M14 x 1.5 Class 10	Jeep Wrangler JK 2006 to 2017 2 & 4 Door Models & Off Road Use	Front	Fitting instructions supplied with kit
FK56	1 x Packer Strut 5mm	Ford Everest 15 to 18 PXII 2015 to 2018 PXI 2011 to 2015 Mazda BT-50 11 to 20	Front	Fitting instructions supplied with kit
FK57	12 x Flat Washer M14 x 25 x 4 2 x Spring Washer M14 x 4mm x 3mm 2 x Female Bolt M10 x 25 x 1.5 8.8	Ford Ranger 2011 on Mazda BT-50 11 to 20	Centre Bearing	Fitting instructions supplied with kit
FK58	2 x Brake Proportioning Bracket 2 x Flange Nut M8 x 1.25 BZ 2 x Flat Washer M8 x 17 x 1.2 2 x Bolt M8 x 1.25PX20 4.6 2 x Spring Washer M8 x 3/32 x 3/32	Toyota LandCruiser pre 08/2016 production 70S DC / 76S Wagon / 78S / 79S SC	Rear	Fitting instructions supplied with kit NB: Check 79S & 70S DC prior to kit selection. Not required for BP-51
FK59	1 x Brake Prop. Bracket 1 x Bolt M8 x 1.25PX20 8.8 1 x Hex Lock M8 x 1.25 2 x Flat Washer M8 x 17 x 1.6 1 x Spring Washer M8 x 3/32 x 3/32	Toyota HiLux / Vigo 2005 to 2015	Rear	Fitting instructions supplied with kit
FK61	1 x Rear Panhard Bracket 1 x Spacer Bracket 2 x U Bolt 1 x M14 x 1.5 x 80 Bolt 1 x M14 x 1.5 Nyloc Nut 2 x M14 x 23.5 x 5mm Spacing Washer 2 x Bump Spacer Bracket 4 x M8 x 1.25 x 20 Hex Bolt 4 x M8 x 1.25 Nut Flange 4 x M8 x 17 x 1.6 Flat Washer	Jeep Wrangler JK 2" 2006 to 2017 RHD	Rear	Fitting instructions supplied with kit
FK62	2 x Front Bracket 2 x Rear Bracket 4 x M8 x 1.25 Bolt 8 x M8 x 17 Flat Washer 8 x M8 Nut Flange 4 x M8 x 1.25 x 50 Bolt	Land Rover Defender 110 & 130 Long Travel	Front Rear	Fitting instructions supplied with kit
FK63	2 x Front Bracket 2 x Rear Bracket 16 x M8 x 1.25 x 25 Bolt 16 x M8 x 17 Flat Washer 16 x M8 Nut Flange 8 x M10 Screw Hex 8 x M10 Flat Washer 8 x M10 Nut Flange	Land Rover Defender 110 & 130 Long Travel	Front Rear	Fitting instructions supplied with kit
FK64	1 x LH Bracket 1 x RH Bracket	Defender 110 & 130 / 110 & 130 Long Travel Discovery to 1998 Land Rover 90 Series Range Rover To 5/1995	Rear	Fitting instructions supplied with kit

cont.



# SPECIFICATIONS - FITTING KITS

## SUSPENSION FITTING KITS

Part No.	Contains	Vehicle	Position	Refer to:
FK65	1 x LH Bracket 1 x RH Bracket 2 x M8 Caged Nut 2 x Bolt M8 x 16 x 1.25 2 x Flat Washer M8 x 17 2 x Spring Washer M8	Toyota LandCruiser pre 08/2016 production 70S DC / 76S Wagon / 78S / 79S SC	Front Brakes	Fitting instructions supplied with kit
FK66	2 x Bracket Leaf Cable 2 x Hex HD Bolt M8 x 16 x 1.25 2 x Hex Lock Nut Nyloc M8 x 1.25 4 x Flat Washer M8 x 17 x 1.6 ZP	Isuzu DMAX CC & LSM 2012 on Models	Rear	Fitting instructions supplied with kit
FK68	2 x Front Sway Bar Link 2 x Dis-Connect Pin 2 x Park Pin 1 x RH Sway Bar Bracket 1 x Sway Bar Bracket 2 x R-Clip 3.0 Tzp 2 x Bolt 7/16 x 3 1/2 GR5 4 x Flat Washer 7/16 2 x Spring Washer 7/16 x 5/32 x 3/32 2 x Nut 7/16 2 x Nut Nyloc M12 2 x Nut Nyloc M10 x 1.25 2 x Flat Washer 1/2 x 1 1/8 x 3mm 2 x Flat Washer M10 x 20.6 x 2mm Fitting Grease	Jeep Wrangler JK 2006 to 2017	Front	
FK69	1 x Bracket Panhard Superduty	Ford F250/F350 08 to 17	Front	Fitting instructions supplied with kit
FK70	1 x Bracket RAD ARM GEN3 Superduty R 1 x Bracket RAD ARM GEN3 Superduty L 4 x Bolt Hex M18 2.5 x 130 GR10.9 4 x Nut Nyloc M18 2.5 GR10.9 8 x Washer Flat 3/4 Zinc 2 x Bolt M12 x 1.75 x 35MMZP 2 x M12 1.75 Nyloc 2 x M12 Spring Washer 4 x M12 Flat Washer	Ford F250, F350 2011 to 2017	Front	Fitting instructions supplied with kit
FK71	1 x Bracket Brakeline Superduty R 1 x Bracket Brakeline Superduty L 2 x Plate ESC Outside Superduty 2 x Plate ESC Inside Superduty 2 x Bracket ESC Top Superduty 4 x Bolt HXHD M6 x 1.0 x 25 GR8.8 BTZP480 4 x Nut Hex Nyloc M6 x 1.0 GR8.8 BTZP480 8 x Washer F M6 x 16 x 1.2 PTZP480 2 x Bolt M8 x 1.25 x 70 CUP SQU BLKZP 2 x Nut Hex Nyloc M8 x 1.25 GR8.8 BTZP480 2 x Nut M10 Caged 1231-B 2 x M10 1.5 x 20 ZP 2 x M10 Spring Washer 2 x M10 Flat Washer	Ford F250, F350 2008 to 2017	Front	Fitting instructions supplied with kit
FK72	2 x Bracket Sway Bar Superduty 4 x Bolt M12 x 1.75 x 35MMZP 4 x M12 x 1.75 Nyloc Nut 4 x Washer Spring 1/2 8 x M12 Flat Washer	Ford F250, F350 2008 to 2017	Front	Fitting instructions supplied with kit
FK73	2 x Spacer Bump Front Superduty 2 x M8 1.25 x 50 GR8.8 2 x M8 Flat Washer 2 x M8 Spring Washer	Ford F250, F350 2008 to 2017	Front	Fitting instructions supplied with kit
FK74	1 x Packer Trim 10mm F Superduty	Ford F250/F350 08 to 17	Front	

cont.

# SPECIFICATIONS - FITTING KITS

## SUSPENSION FITTING KITS

Part No.	Contains	Vehicle	Position	Refer to:
FK76	2 x Saddle Bracket 2 x HD Bar Bracket (1 x RH, 1 x LH) 10 x Flat Washer M8 x 17 10 x Bolt M8 x 1.25 x 25 10 x M8 Spring Washer	Toyota LandCruiser 70S DC / 78S / 79S SC Models with OE axle sway bar mount	Rear	Fitting instructions supplied with kit
FK77	2 x Axle Mount Bracket (1 x RH, 1 x LH) 1 x OMEU74 U Bolt 1 x OMEU75 U Bolt 2 x Saddle Bracket 1 x Brake Line Bracket 2 x Dropper Bracket (1 x RH, 1 x LH) 3 x Spacer Wing Mount 1 x Grub Screw M10 x 1.25 x 10 1 x M10 Flat Washer 1 x Nut Flange M10 x 1.25 9 x Flat Washer M8 x 17 9 x BZ Bolt M8 x 1.25 x 25 9 x Spring Washer M8 x 3/32 x 3/32	Toyota LandCruiser 70S DC / 78S / 79S SC Models without OE sway bar provision	Rear	Fitting instructions supplied with kit
FK78	1 x Bracket	Nissan GU Cab Chassis	Rear	Fitting instructions supplied with kit
FK79	1 x Strut Packer	Jeep WK2	Front	
FK80	1 x Bracket RAD ARM GEN3 Superduty R 1 x Bracket RAD ARM GEN3 Superduty L 4 x Bolt Hex M18 2.5 x 130 GR10.9 4 x Nut Nyloc M18 2.5 GR10.9 8 x Washer Flat 3/4 Zinc 2 x Bolt M12 x 1.75 x 35MMZP 2 x M12 1.75 Nyloc 2 x M12 Spring Washer 4 x M12 Flat Washer	Ford F250, F350 2008 to 2010	Front	Fitting instructions supplied with kit
FK81	1 x Caster Plate L 1 x Caster Plate R 4 x M8 x 1.25P x 20 4 x Hex Nut Nylon 8 x M8 Flat Washer 1 x Nylon Nut M18 1 x 3/4 Flat Washer	Ford F250, F350 2008 to 2017	Front	Fitting Instructions
FK82	2 x Brake Line Drop Bracket 2 x M8 x 1.25P x 20 1 x Hex Nut Nylon 3 x Flat Washer M8 x 17 1 x M8 Spring Washer 1 x M8 Caged Nut	Toyota LandCruiser 70S DC / 76S Wagon / 78S / 79S SC 2014 to 08/2016	Rear Brake Line	Fitting Instructions
FK83	2 x Bump Spare Plate	Navara NP300 15 on Series 1, 2, 3, 4 & 5	Rear Leaf Spring	Fitting Instructions
FK84	1 x Plate Packer	Navara NP300 15 on Series 1, 2, 3, 4 & 5	Front Strut	
FK85	2 x Sway Bar Brackets 1 x Pot Bracket 2 x M12 x 1.75 x 30 Bolt 4 x Washer M12 x 27 x 4mm 2 x M12 x 1.75 Nyloc Nut 1 x M8 x 1.25 x 20 Bolt 1 x Washer M8 x 17 x 1.6m	Navara NP300 15 on Series 1, 2, 3, 4 & 5	Rear Coil Spring	Fitting Instructions
FK86	1 x Extension Bracket 2 x Bolt M6 x 10 2 x M6 Spring Washer 2 x Washer M6 x 1.6 x 20	Toyota HiLux 2015 on SR5 Model	Rear	Fitting Instructions
FK87	2 x Bolt M8 x 1.25 x 12 HD TZP480 1 x Bracket Colorado Brake Line 1 x Bracket Colorado Brake Line 2 x Nut Hex Lock Nyloc M8 x 1.25	Holden Colorado 2016 on	Rear	Fitting instructions supplied with kit

cont.

# SPECIFICATIONS - FITTING KITS

## SUSPENSION FITTING KITS

Part No.	Contains	Vehicle	Position	Refer to:
FK87 (cont.)	2 x Bolt M8 x 1.25 x 16 Hex HD TZP480 8 x Washer Flat M8 x 20 x 2 Black	Holden Colorado 2016 on	Rear	Fitting instructions supplied with kit
FK89	3 x Spacer Cross Member 3 x Bolt M12 x 1.5 x 50mm Class 8.8 ZP 3 x Washer Flat 1/2 x 1, 1/8 x 3mm ZP 3 x Washer Spring 1/2 x 3 / 16 x 1/8 ZP	Jeep Wrangler JK 2006 to 2017	Cross Member Spacer Kit	Fitting Instructions
FK91	1 x Bolt M16 x 2.0 x 100 10.9 1 x Nut M16 x 2.0 10.9	Chevrolet Colorado 2015 on USA model	Rear Leaf Springs	Fitting Instructions
FK92	2 x Spacer JK Bump Stop Front 2 x Bracket Bump Spacer JL	Jeep Wrangler JL 2018 on	Front	Fitting instructions supplied with kit
FK93	2 x Front Sway Bar Link 2 x Rear Sway Bar Link	Jeep Wrangler JL 2018	Front Rear	Fitting Instructions
FK94	1 x Packer 5mm, Strut PXIII	Ford Ranger USA model Ranger PXIII / Everest MY19 2018 on	Front	Fitting instructions supplied with kit
FK95	2 x 14 x 1.5 x 100 10.9 Bolt 2 x 14 x 1.5 Class 10 Nut	Ford Ranger USA model / Ranger PXIII	Rear	Fitting instructions supplied with kit
FK96	1 x Panhard Bracket 2 x Bump Stops 1 x Fitting Kit 6177431	Suzuki Jimny 2018 on	Rear Axle	Fitting Instructions
FK97	1 x Sensor Bracket	Suzuki Jimny 2018 on	Rear	Fitting Instructions
FK99	1 x Brake Extention Bracket 1 x Locate Plate 3 x Bolt HXHD M6 x 1.0 x 20 PC8.8 TZP480 6 x Flat Washer M6 x 16 x 1.2 HV300 ZP 3 x Nut Hex Nyloc 6 x 1.0 TZP480 2 x Bolt HXHD FL M12 x 1.25 x 150 PC11.9 ZAB1000 4 x Washer Flat M12 x 26 x 4 HV300 TZP480	Suzuki Jimny 2018 on	Rear	Fitting instructions supplied with kit
FK100	4 x Bump Spacer Plate 4 x COHD Bolt M8 x 1.25 x 35 BZP 4 x Nut Hex Nyloc M8 x 1.25 ZNB480 4 x Washer Flat M8 x 16.6 x 1.2 BTZP480	Jeep Wrangler JL 2018 On SWB / LWB 3.6L Petrol Engine & LWB 2.2L Diesel Engine Models	Rear	
FK102	Dodge Rear Shock Folded Steel Tool	Chrysler Dodge RAM 1500 DS	Rear	
FKWTJ01	1 x 45mm Panhard Rod Extention Bracket 2 x Spacer Washer Flat 12 x 36 x 4 ZTY120 3 x Bolt HXHD M12 x 1.25 x 30 PC8.8 ZP 6 x Washer Flat 1/2 x 1 1/8 x 3mm ZP 3 x Spring Washer 1/2 x 3/16 x 1/8 ZP 3 x Nut Hex M12 x 1.25 TZP480	Jeep Wrangler TJ RHD	Rear	Fitting instructions supplied with kit
FKWTJ02	1 x Extention Bracket 1 x Sleeve Panhard Rod Extention 1 x Bolt HXHD M12 x 1.25 x 25 ZP 1 x Bolt HXHD M12 x 1.25 x 65 PC8.8 ZP 1 x Bolt HXHD M10 x 1.25 x 25 PC8.8 ZP 2 x Nut Hex M12 x 1.25 TZP480 1 x Nut Hex M10 x 1.25 TZP480 4 x Nut Hex M10 x 1.25 TZP480 2 x Washer Spring 1/2 x 3/16 x 1/8 ZP 2 x Washer Flat M10 x 25 x 3 TZP480 1 x Washer Spring M10 x 1/8 x 1/8 TZP480	Jeep Wrangler TJ & TJ Unlimited 1997 to 2006 LHD	Rear	Fitting instructions supplied with kit
GQGK01	4 x Spacer Plate 8 x Hex. Bolt 8 x Flat Washer 8 x Spring Washer	Nissan GQ Y61 Patrol Off Road Use, GQ Y60 SWB, LWB & CC coil spring / Ford Maverick	Gearbox Cross Member	Manual Sec. 4 GFI Patrol Gearbox Spacer Kit
GQGK02	4 x Spacer Plate 9 x Spacer 12mm 8 x Bolt M12 x 1.25 x 70mm	Nissan GU Y61 Patrol SWB Model	Gearbox	Fitting instructions

cont.

# SPECIFICATIONS - FITTING KITS

## SUSPENSION FITTING KITS

Part No.	Contains	Vehicle	Position	Refer to:
GQGK02 (cont.)	17 x Spring Washer 17 x Flat Washer 6 x Bolt M8 x 1.25 x 40mm 3 x Bolts M8 x 1.25 x 35mm	Nissan GU Y61 Patrol SWB Model	Gearbox	Fitting instructions
JWVGK01	6 x Spacer Plate 6 x Bolt Spacer 6 x 2" Bolt	Jeep Wrangler TJ & TJ Unlimited to 2003 / YJ 1986 to 1996	Gearbox	Fitting instructions supplied with kit
JWVGK02	6 x Spacer Plate 6 x Bolt 17 x Flat Washer 17 x Spring Washer	Jeep Wrangler TJ & TJ Unlimited 2003 to 2006 Manual Models	Gearbox	Fitting instructions
JWVGK03	8 x Spacer Plate 8 x Bolt 8 x Flat Washer 8 x Spring Washer	Jeep Wrangler TJ & TJ Unlimited 2003 to 2006 Auto Models	Gearbox	Fitting instructions
OMETH001	1 x Bearing Plate 1 x Rubber Isolator 2 x Loose Rubber Bushes 1 x Dome Washer 1 x Cupped Washer 1 x Crush Tube 3 x Mounting Nuts M10 x 1.25 Dirt Shield Included	Mitsubishi Pajero Sport 15 on / Challenger 10 to 15 / Triton MQ / MN / ML	Front One side only on ML	
OMETH002	1 x Bearing Plate With Bonded Lower Bush 1 x Rubber Isolator 2 x Bonded Rubber Bushes (One On Washer One On Bearing Plate) 1 x Loose Washer 1 x Bonded Washer (One On Rubber Bush) 3 x Mounting Nuts M10 x 1.25	Toyota 4 Runner (USA) 03 on / FJ Cruiser 06 on / Fortuner 04 on / HiLux 05 on / Prado 150 Series / Prado 120 Series / Tacoma V6 05 to 15 / Tacoma 16 on	Front  One side only on HiLux 05 On	
OMETH003	1 x Bearing Plate With Bonded Lower Bush 1 x Rubber Isolator 2 x Bonded Rubber Bushes (One On Washer One On Bearing Plate) 1 x Loose Washer 1 x Bonded Washer (One On Rubber Bush) 4 x Mounting Nuts M10 x 1.25	Toyota LandCruiser 200 Series & 200 Series Armoured	Front One side only 200 Series	
OMETH004	1 x Bearing Plate With Bonded Lower Bush 1 x Rubber Isolator 2 x Bonded Rubber Bushes (One On Washer One On Bearing Plate) 1 x Loose Washer 1 x Bonded Washer (One On Rubber Bush) 3 x Mounting Nuts M10 x 1.50	Holden Trailblazer 2017 on / Colorado 7 2013 to 2016 / Colorado 2012 on Isuzu DMAX 2012 on / MU-X 2013 on / Mazda BT-50 20 on	Front One side only	
OMETH005	1 x Bearing Plate 1 x Rubber Isolator & Bush Combined 1 x Loose Rubber Bush 2 x Cupped Washers Sized Differently 1 x Crush Tube 3 x Mounting Nuts M10 x 1.50	Navara D23 NP300 15 on Series 1, 2, 3, 4 & 5 / D40 05 on / Pathfinder R51 05 to 14 / Xterra 05 on Suzuki Equator USA only	Front One side only D40	
OMETH006	1 x Bearing Plate 1 x Rubber Isolator 2 x Loose Rubber Bushes 2 x Cupped Washers 1 x Crush Tube 3 x Mounting Nuts M12 x 1.75	Ford Everest 2015 on / Ford Ranger 2011 on / Mazda BT-50 11 to 20	Front One side only One side only	

cont.

# SPECIFICATIONS - FITTING KITS

## SUSPENSION FITTING KITS

Part No.	Contains	Vehicle	Position	Refer to:
OMETH007	1 x Bearing Plate 1 x Rubber Isolator 2 x Loose Rubber Bushes 1 x Dome Washer 1 x Cupped Washer 1 x Crush Tube 3 x Mounting Nuts M10 x 1.25	Mitsubishi SWB Pajero 2000 on / Montero 2000 on / LWB Pajero 2000 to 2006 / Montero 2000 to 2006 / Pajero 2007 on All LWB	Front One side only	
XJGK01	4 x 10mm Packer 2 x 6mm Packer 4 x M10 x 1.5 x 50 8.8 Bolt 4 x 3/8 x 3/4 Flat Washer 4 x M10 Spring Washer 1 x 25mm Spacer 1 x M8 x 1.25 x 40 8.8 Bolt 1 x M8 x 17 Flat Washer 1 x M8 Spring Washer	Jeep Cherokee XJ Wagon 1984 to 2001	Gearbox	Fitting instructions supplied with kit

# SPECIFICATIONS - LEAF SPRINGS

## LEAF SPRING SERVICE PARTS

Spring Part Number	Replacement Centre Bolt	Interleaf Liner		Clip Liner		Trim Packer	Leaf Spacers	Extra Leaf	Extra Leaf Spacer Kit	Extra Leaf / Trim Packer Centre Bolt
		SRBC60A	SRBC60B	Part No.	Qty.	(EA)	(5PK)			
CS001F	UCB8	0	8	CLK13	1	ELSK06	ELSK04	D3XL	N/A	UCB8
CS001R	UCB8	0	6	CLK14	1	ELSK06	ELSK04	D4XL	N/A	UCB8
CS002F	UCB8	0	8	CLK13	1	ELSK06	ELSK04	D3XL	N/A	UCB8
CS002R	UCB8	0	6	CLK14	1	ELSK06	ELSK04	D4XL	N/A	UCB8
CS003F	UCB3	0	4	CLK11	1	ELSK06	ELSK04	D1XL	N/A	UCB3
CS003R	UCB4	0	6	CLK201	1	ELSK06	ELSK04	D8XL	N/A	UCB4
CS004F	UCB3	0	6	CLK11	1	ELSK06	ELSK04	D1XL	N/A	UCB3
CS004RA	UCB2	0	6	CLK113A	1	ELSK06	ELSK04	D2XL	N/A	UCB2
CS004RB	UCB2	0	6	CLK113B	1	ELSK06	ELSK04	D2XL	N/A	UCB2
CS005F	UCB3	0	6	CLK11	1	ELSK06	ELSK04	N/A	N/A	N/A
CS005RA	UCB2	0	6	CLK113A	1	ELSK06	ELSK04	D2XL	N/A	UCB2
CS005RB	UCB2	0	6	CLK113B	1	ELSK06	ELSK04	D2XL	N/A	UCB2
CS006F	UCB5	0	7	CLK57	1	ELSK06	ELSK04	D16XL	N/A	UCB5
CS006R	UCB4	0	6	CLK39	1	ELSK06	ELSK04	D25XL	N/A	UCB4
CS007F	UCB5	0	7	CLK57	1	ELSK06	ELSK04	N/A	N/A	N/A
CS007R	UCB4	0	6	CLK39	1	ELSK06	ELSK04	D25XL	N/A	UCB4
CS008FA	UCB7	0	6	CLK9	1	ELSK05	ELSK10	D17XL	N/A	UCB7
CS008FB	UCB7	0	4	CLK9	1	ELSK05	ELSK10	D17XL	N/A	UCB7
CS008R	UCB4	0	6	CLK39	1	ELSK06	ELSK04	D25XL	N/A	UCB4
CS009FA	UCB7	0	4	CLK9	1	ELSK05	ELSK10	D17XL	N/A	UCB7
CS009FB	UCB7	0	4	CLK9	1	ELSK05	ELSK10	D17XL	N/A	UCB7
CS009R	UCB6	0	3	CLK17	1	ELSK05	ELSK10	D5XL	N/A	UCB6
CS010FA	UCB5	0	6	CLK3	1	ELSK05	ELSK10	D11XL	N/A	UCB5
CS010FB	UCB5	0	6	CLK3	1	ELSK05	ELSK10	D11XL	N/A	UCB5
CS010R	UCB6	0	3	CLK17	1	ELSK06	ELSK04	D5XL	N/A	UCB6
CS011FA	UCB5	0	6	CLK3	1	ELSK05	ELSK10	N/A	N/A	N/A
CS011FB	UCB5	0	6	CLK3	1	ELSK05	ELSK10	N/A	N/A	N/A
CS011R	UCB1	0	10	CLK4	1	ELSK05	ELSK10	D12XL	N/A	UCB1
CS012FA	UCB7	0	2	CLKJ1	1	N/A	N/A	D20XL	N/A	UCB7
CS012FB	UCB7	0	2	CLKJ1	1	N/A	N/A	D20XL	N/A	UCB7
CS012R	UCB1	0	10	CLK4	1	ELSK05	ELSK10	D12XL	N/A	UCB1
CS013FA	UCB7	0	2	CLK13D	1	N/A	N/A	D20XL	N/A	UCB7
CS013FB	UCB7	0	2	CLK13D	1	N/A	N/A	D20XL	N/A	UCB7
CS013R <sup>1</sup>	UCB17	0	4	CLK15D	1	ELSK06	ELSK04	D14XL	N/A	UCB17
CS014F	UCB09	0	4	CLK13D	1	ELSK05	ELSK10	D23XL	N/A	UCB09
CS014R <sup>1</sup>	UCB17	0	4	CLK15D	1	ELSK06	ELSK04	D14XL	N/A	UCB17
CS015F <sup>1</sup>	UCB18	0	4	CLK6	1	N/A	N/A	N/A	N/A	N/A
CS015R <sup>1</sup>	UCB17	0	4	CLK15D	1	ELSK06	ELSK04	D14XL	N/A	UCB17
CS016F	UCB17	0	8	CLK39	1	ELSK05	ELSK10	D30XL	N/A	UCB17
CS016RA	UCB11	0	4	CLK6	1	ELSK06	ELSK04	D15XL	N/A	UCB11
CS016RB	UCB11	0	4	CLK6	1	ELSK06	ELSK04	D15XL	N/A	UCB11
CS017RA	UCB2	0	8	CLK221	1	ELSK06	ELSK04	D2XL	N/A	UCB2
CS017RB	UCB2	0	8	CLK221	1	ELSK06	ELSK04	D2XL	N/A	UCB2
CS018F	UCB18	0	10	CLK39	1	N/A	N/A	N/A	N/A	N/A
CS018R	UCB6	0	2	CLK18	1	ELSK05	ELSK10	N/A	N/A	N/A
CS019R	UCB6	0	2	CLK18	1	ELSK05	ELSK10	D6XL	N/A	UCB6
CS020R	UCB6	0	2	CLK18	1	ELSK05	ELSK10	D6XL	N/A	UCB6
CS021R	UCB6	0	2	CLK58D	1	ELSK05	ELSK10	D6XL	N/A	UCB6
CS022R	UCB5	0	6	CLK22	1	ELSK06	ELSK04	D32XL	N/A	UCB10
CS023R	UCB5	0	6	CLK22	1	ELSK06	ELSK04	N/A	N/A	N/A
CS024R	UCB15	0	4	CLKROD	1	ELSK05	ELSK10	N/A	N/A	N/A
CS026R	UCB17	0	4	CLK26D	1	ELSK05	ELSK10	D9XL	N/A	UCB17

1. When remaining stock of is exhausted no further product will be available.

cont.

# SPECIFICATIONS - LEAF SPRINGS

## LEAF SPRING SERVICE PARTS

Spring Part Number	Replacement Centre Bolt	Interleaf Liner		Clip Liner		Trim Packer	Leaf Spacers	Extra Leaf	Extra Leaf Spacer Kit	Extra Leaf / Trim Packer Centre Bolt
		SRBC60A	SRBC60B	Part No.	Qty.	(EA)	(5PK)			
CS027R	UCB17	0	4	CLK26D	1	ELSK05	ELSK10	D9XL	N/A	UCB17
CS028R	UCB12	0	4	CLK17	1	ELSK05	ELSK10	D19XL	N/A	UCB16
CS029R	UCB16	0	2	CLK17	1	ELSK05	ELSK10	D19XL	N/A	UCB16
CS030R	UCB13	0	2	CLKNN	1	ELSK05	ELSK10	D18XL	N/A	UCB14
CS031R	UCB13	0	2	CLKNN	1	ELSK05	ELSK10	D18XL	N/A	UCB14
CS032R	UCB13	0	2	CLKNN	1	ELSK05	ELSK10	D18XL	N/A	UCB14
CS033RA	UCB8	0	6	CLK33D	1	ELSK05	ELSK10	D22XL	N/A	UCB8
CS033RB	UCB8	0	6	CLK33D	1	ELSK05	ELSK10	D22XL	N/A	UCB8
CS034RA	UCB8	0	6	CLK3	1	ELSK05	ELSK10	D22XL	N/A	UCB8
CS034RB	UCB8	0	6	CLK3	1	ELSK05	ELSK10	D22XL	N/A	UCB8
CS035RA	UCB8	0	6	CLKJ2	1	ELSK05	ELSK10	D22XL	N/A	UCB8
CS035RB	UCB8	0	6	CLKJ2	1	ELSK05	ELSK10	D22XL	N/A	UCB8
CS036R	UCB09	0	4	CLKJ1	1	ELSK05	ELSK10	D24XL	N/A	UCB09
CS037R	UCB09	0	4	CLK4	1	N/A	N/A	D24XL	N/A	UCB09
CS038R	UCB7	0	4	CLK38D	1	N/A	N/A	D21XL	N/A	UCB7
CS039R	UCB7	0	4	CLK38D	1	N/A	N/A	D21XL	N/A	UCB7
CS040R	UCB5	0	2	CLK40D	1	ELSK06	ELSK04	D7XL	N/A	UCB5
CS041R	UCB5	0	2	CLK40D	1	ELSK06	ELSK04	D7XL	N/A	UCB5
CS042R	UCB5	0	4	CLK6	1	N/A	N/A	D10XL	N/A	UCB5
CS043R <sup>1</sup>	UCB14	0	4	CLK43D	1	ELSK05	ELSK10	D13XL	N/A	UCB14
CS043R-15	UCB14	0	4	CLK43D	1	ELSK05	ELSK10	D13XL	N/A	UCB14
CS044R <sup>1</sup>	UCB14	0	4	CLK43D	1	ELSK05	ELSK10	D13XL	N/A	UCB14
CS045R <sup>1</sup>	UCB14	0	4	CLK43D	1	ELSK05	ELSK10	D13XL	N/A	UCB14
CS046RA	UCB14	0	6	CLK6	1	ELSK05	ELSK10	N/A	N/A	N/A
CS046RB	UCB14	0	6	CLK6	1	ELSK05	ELSK10	N/A	N/A	N/A
CS047R <sup>1</sup>	UCB17	0	4	CLK6	1	ELSK05	ELSK10	D29XL	N/A	UCB17
CS048R	UCB10	0	2	CLK48D	1	N/A	N/A	D27XL	N/A	UCB10
CS049R <sup>1</sup>	UCB19	0	4	CLK4	1	ELSK05	ELSK10	D34XL	N/A	UCB19
CS053R	UCB5	0	2	CLK17	1	ELSK06	ELSK04	D32XL	N/A	UCB10
CS054R	UCB5	0	2	CLK17	1	ELSK06	ELSK04	D32XL	N/A	UCB10
CS055R		0	4	CLK55D	1	ELSK05	ELSK10	D28XL	N/A	N/A
CS056R	UCB19	0	4	CLK4	1	ELSK05	ELSK10	D34XL	N/A	UCB19
CS057R	UCB17	0	4	CLK57D	1	ELSK06	ELSK04	D35XL	N/A	UCB17
CS058R	UCB17	0	4	CLK58D	1	ELSK06	ELSK04	D35XL	N/A	UCB17
CS059R	UCB5	0	6	CLK4	1	N/A	N/A	D36XL	N/A	N/A
CS060R	UCB19	0	8	CLK15D	1	ELSK05	ELSK10	D34XL	N/A	UCB19
CS061R	UCB5	0	4	CLK4	1	ELSK05	ELSK10	D37XL	N/A	N/A
CS062R	UCB15	0	4	CLKROD	1	ELSK05	ELSK10	D26XL	N/A	UCB15
CS063R	UCB15	0	4	CLKROD	1	ELSK05	ELSK10	D26XL	N/A	UCB15
CS064R	UCB17	0	4	CLK15D	1	ELSK06	ELSK04	D38XL	N/A	UCB17
CS065R	UCB17	0	4	CLK15D	1	ELSK06	ELSK04	D38XL	N/A	UCB17
CS066R <sup>1</sup>	UCB17	0	10	CLK15D	1	ELSK06	ELSK04	D14XL	N/A	UCB4
CS068R <sup>1</sup>	UCB19	0	8	CLK39	1	ELSK05	ELSK10	D34XL	N/A	UCB19
CS069R <sup>1</sup>	UCB19	0	10	CLK15D	1	ELSK05	ELSK10	D34XL	N/A	UCB19
CS070R	UCB17	0	8	CLK58D	1	ELSK06	ELSK04	N/A	N/A	UCB17
CS071R <sup>1</sup>	UCB14	0	6	CLK43D	1	ELSK05	ELSK10	D13XL	N/A	UCB14
CS150R	UCB19	0	6	CLK33D	1	ELSK05	ELSK10	D31XL	N/A	UCB19
CS151R	UCB19	0	6	CLK33D	1	ELSK05	ELSK10	D31XL	N/A	UCB19
EL013R <sup>1</sup>	UCB19	2	2	ELSK01	1	ELSK06	ELSK04	EL14XL	ELSK13	N/A
EL014R <sup>1</sup>	UCB19	2	2	ELSK01	1	ELSK06	ELSK04	EL14XL	ELSK13	N/A
EL015R <sup>1</sup>	UCB19	2	2	ELSK01	1	ELSK06	ELSK04	EL14XL	ELSK13	N/A
EL043R	UCB19	2	4	ELSK01	1	ELSK05	ELSK10	EL13XL	ELSK12	N/A

1. When remaining stock is exhausted no further product will be available.

cont.

# SPECIFICATIONS - LEAF SPRINGS

## LEAF SPRING SERVICE PARTS

Spring Part Number	Replacement Centre Bolt	Interleaf Liner		Clip Liner		Trim Packer (EA)	Leaf Spacers (5PK)	Extra Leaf	Extra Leaf Spacer Kit	Extra Leaf / Trim Packer Centre Bolt
		SRBC60A	SRBC60B	Part No.	Qty.					
EL044R	UCB19	4	2	ELSK01	1	ELSK05	ELSK10	EL13XL	ELSK12	N/A
EL045R	UCB19	4	4	ELSK01	1	ELSK05	ELSK10	EL13XL	ELSK12	UCB19
EL049R	UCB19	4	2	ELSK01	1	ELSK05	ELSK10	EL34XL	ELSK12	N/A
EL066R <sup>1</sup>	UCB19	12	2	ELSK01	1	ELSK06	ELSK04	EL14XL	ELSK12	UCB10
EL068R <sup>1</sup>	UCB19	6	2	ELSK01	1	ELSK05	ELSK10	EL34XL	ELSK12	UCB19
EL069R <sup>1</sup>	UCB19	6	4	ELSK01	1	ELSK05	ELSK10	EL34XL	ELSK12	UCB4
EL071R	UCB19	6	4	ELSK01	1	ELSK05	ELSK10	EL13XL	ELSK12	UCB19
EL072R <sup>1</sup>	UCB19	2	2	ELSK01	1	ELSK05	ELSK10	EL39XL	ELSK12	N/A
EL073R <sup>1</sup>	UCB19	4	2	ELSK01	1	ELSK05	ELSK10	EL39XL	ELSK12	N/A
EL074R <sup>1</sup>	UCB19	4	4	ELSK01	1	ELSK05	ELSK10	EL39XL	ELSK12	N/A
EL077R	UCB21	12	0	ELSK01	1	N/A	N/A	EL40XL	N/A	UCB21
EL079R <sup>1</sup>	UCB19	4	4	ELSK01	1	ELSK06	ELSK04	EL14XL	N/A	N/A
EL080R <sup>1</sup>	UCB19	4	4	ELSK01	1	ELSK06	ELSK04	EL14XL	N/A	N/A
EL081R <sup>1</sup>	UCB10	4	6	ELSK01	1	ELSK06	ELSK04	EL14XL	N/A	N/A
EL082R <sup>1</sup>	UCB10	12	2	ELSK01	1	ELSK06	ELSK04	EL14XL	N/A	UCB10
EL083R <sup>1</sup>	UCB19	4	4	ELSK01	1	ELSK05	ELSK10	EL43XL	ELSK12	UCB19
EL084R <sup>1</sup>	UCB10	8	4	ELSK01	1	ELSK05	ELSK10	EL43XL	ELSK12	UCB10
EL085R <sup>1</sup>	UCB10	8	4	ELSK01	1	ELSK05	ELSK10	EL43XL	ELSK12	UCB4
EL086R <sup>1</sup>	UCB19	4	4	ELSK01	1	ELSK05	ELSK10	EL44XL	ELSK12	UCB19
EL087R <sup>1</sup>	UCB19	4	6	ELSK01	1	ELSK05	ELSK10	EL44XL	ELSK12	UCB19
EL088R <sup>1</sup>	UCB19	4	4	ELSK01	1	ELSK05	ELSK10	EL44XL	ELSK12	UCB19
EL089R <sup>1</sup>	UCB19	0	6	ELSK01	1	ELSK05	ELSK10	EL45XL	ELSK12	UCB19
EL090R <sup>1</sup>	UCB19	2	6	ELSK01	1	ELSK05	ELSK10	EL45XL	ELSK12	UCB19
EL091R <sup>1</sup>	UCB19	2	6	ELSK01	1	ELSK05	ELSK10	EL45XL	ELSK12	UCB19
EL092R	UCB19	4	4	ELSK01	1	ELSK05	ELSK10	EL43XL	ELSK12	UCB19
EL093R	UCB10	8	4	ELSK01	1	ELSK05	ELSK10	EL43XL	ELSK12	UCB10
EL094R	UCB10	8	4	ELSK01	1	ELSK05	ELSK10	EL43XL	ELSK12	UCB4
EL095R <sup>1</sup>	UCB17	2	4	ELSK01	1	ELSK05	ELSK10	EL46XL	ELSK12	N/A
EL096R <sup>1</sup>	UCB17	4	4	ELSK01	1	ELSK05	ELSK10	EL46XL	ELSK12	UCB17
EL100R	UCB5	2	2	CLS308240	4	ELSK05	ELSK10	EL47XL	ELSK12	UCB5
EL101R	UCB17	4	2	CLS308255	4	ELSK05	ELSK10	EL47XL	ELSK12	UCB17
EL102R <sup>1</sup>	UCB19	4	2	CLS308255	4	ELSK05	ELSK10	EL34XL	ELSK12	UCB19
				CLS308265	2					
EL103R <sup>1</sup>	UCB19	6	2	CLS308265	2	ELSK05	ELSK10	EL34XL	ELSK12	UCB19
				CLS308270	6					
EL104R <sup>1</sup>	UCB19	8	2	CLS308265	2	ELSK05	ELSK10	EL34XL	ELSK12	UCB4
				CLS308285	4					
EL105R	UCB19	4	2	CLS308245	2	ELSK05	ELSK10	EL45XL	ELSK12	UCB19
				CLS308255	4					
EL106R	UCB19	4	4	CLS308245	2	ELSK05	ELSK10	EL45XL	ELSK12	UCB19
				CLS308260	4					
EL107R	UCB19	4	4	CLS308245	2	ELSK05	ELSK10	EL45XL	ELSK12	UCB4
				CLS308285	4					
EL108R	UCB19	2	2	CLS308240	2	ELSK05	ELSK10	EL39XL	ELSK12	UCB19
				CLS308265	2					
EL109R	UCB19	4	2	CLS308255	4	ELSK05	ELSK10	EL39XL	ELSK12	UCB19
				CLS308265	2					
EL110R	UCB19	5	3	CLS308270	4	ELSK05	ELSK10	EL39XL	ELSK12	UCB19
				CLS308285	2					
EL111R	UCB19	4	2	CLS308250	4	ELSK05	ELSK10	EL46XL	ELSK12	UCB19
				CLS308265	2					
				CLS308295	2					

1. When remaining stock is exhausted no further product will be available.

cont.



# SPECIFICATIONS - LEAF SPRINGS

## LEAF SPRING SERVICE PARTS

Spring Part Number	Replacement Centre Bolt	Interleaf Liner		Clip Liner		Trim Packer (EA)	Leaf Spacers (5PK)	Extra Leaf	Extra Leaf Spacer Kit	Extra Leaf / Trim Packer Centre Bolt
		SRBC60A	SRBC60B	Part No.	Qty.					
EL112R	UCB19	6	2	CLS308250	4	ELSK05	ELSK10	EL46XL	ELSK12	UCB4
				CLS308265	2					
				CLS3082100	2					
EL113R	UCB19	4	4	CLS308260	4	ELSK06	N/A	EL14XL	ELSK13	N/A
				CLS308295	2					
EL114R	UCB19	4	4	CLS308260	4	ELSK06	N/A	EL14XL	ELSK13	N/A
				CLS308295	2					
EL115R	UCB10	4	6	CLS308265	4	ELSK06	N/A	EL14XL	ELSK13	N/A
				CLS3082105	2					
EL116R	UCB10	12	2	CLS3082100	4	ELSK06	N/A	EL14XL	ELSK13	UCB10
				CLS3082105	2					
EL117R	UCB19	6	2	CLS308255	4	ELSK05	ELSK10	EL44XL	ELSK12	UCB19
				CLS308260	2					
EL118R	UCB19	6	4	CLS308255	4	ELSK05	ELSK10	EL44XL	ELSK12	UCB4
				CLS308260	2					
EL119R	UCB19	6	2	CLS308260	6	ELSK05	ELSK10	EL44XL	ELSK12	UCB4
EL120R	UCB5	2	2	CLS308265	2	ELSK05	ELSK10	EL34XL	ELSK12	UCB5
				CLS308255	4					
EL121R	UCB5	4	2	CLS308265	2	ELSK05	ELSK10	EL34XL	ELSK12	UCB6
				CLS308255	4					
EL122RA	UCB19	6	0	CLS308245	4	ELSK05	ELSK10	D43XL	ELSK12	UCB19
				CLS308295	2					
EL122RB	UCB19	6	0	CLS308245	4	ELSK05	ELSK10	D43XL	ELSK12	UCB19
				CLS308295	2					
EL123R	UCB19	4	2	CLS308255	4	ELSK05	ELSK10	EL39XL	ELSK12	UCB19
				CLS308265	2					
EL124R	UCB19	6	2	CLS308265	2	ELSK05	ELSK10	EL39XL	ELSK12	UCB19
				CLS308270	6					
EL125R	UCB19	8	2	CLS308265	2	ELSK05	ELSK10	EL39XL	ELSK12	UCB4
				CLS308285	4					
EL126R	UCB19	2	2	CLS308240	2	ELSK05	ELSK10	EL34XL	ELSK12	UCB19
				CLS308265	2					
EL127R	UCB19	4	2	CLS308255	4	ELSK05	ELSK10	EL34XL	ELSK12	UCB19
				CLS308265	2					
EL128R	UCB19	5	3	CLS308270	4	ELSK05	ELSK10	EL34XL	ELSK12	UCB19
				CLS308285	2					

# SPECIFICATIONS - LEAF SPRINGS

## LEAF SPRING SERVICE PARTS

SPRING EYE SLEEVES			
PART NUMBER	ID (MM)	OD (MM)	LENGTH (MM)
CBH154028	15	40	28
CBH27532569	27.5	32.5	69
CBH303549	30	35	49
CBH303559	30	35	59
CBH31536559	31.5	36.5	59
CBH31536569	31.5	36.5	69
CBH32737759	32.7	37.7	59
CBH354069	35	40	69
CBH37542559	37.5	42.5	59
CBH39544559	39.5	44.5	59
CBH404549	40	45	49
CBH404559	40	45	59
CBH404569	40	45	69

SPRING CLIPS			
PART NUMBER	LEAF WIDTH (MM)	CLIP WIDTH (MM)	CLIP LENGTH (MM)
2512074	70	25	120
2516474	70	25	164

RIVETS		
PART NUMBER	SIZE	LENGTH (MM)
3822	3/8	22
3824	3/8	24

EL SERVICE KITS	
PART NUMBER	DESCRIPTION
TB1001	TRU BLU NLGI2.9 Grease 450gm
TB1002	TRU BLU NLGI2.9 Grease 2.5kg
TB1003	TRU BLU NLGI2.9 Grease 20kg
OMECW2	2° Caster Wedge
ELSK01	Leaf Spring Clip Liner Kit
ELSK05	Leaf Trim Packer 10mm 60 Wide
ELSK06	Leaf Trim Packer 10mm 70 Wide
ELSK04	Leaf Spacers 1.6mm 70 Wide (5 pack)
ELSK10	Leaf Spacers 3mm 60 Wide (5 pack)
ELSK12	Extra Leaf Spacer Kit 60 Wide
ELSK13	Extra Leaf Spacer Kit 70 Wide

LEAF SPRING TRIM PACKERS (Mild Steel 5mm Thick)				
PART NO.	WIDTH	LENGTH	HOLE DIA.	APPLICATIONS
TP01	70mm	140mm	10.3mm	TOYOTA 60, 75, NISSAN GQ / FORD MAVERICK CAB CHASSIS & NISSAN GQ UTE
TP02	70mm	140mm	8.7mm	TOYOTA 40, 42, 45, 47
TP03	60mm	140mm	10.3mm	NISSAN MQ, MITSUBISHI PAJERO, TRITON, L200
TP04	60mm	140mm	8.7mm	TOYOTA HILUX, 4RUNNER
TP05	50mm	120mm	8.7mm	SUZUKI SIERRA, SAMURAI (SJ413), SANTANA SAMURAI, HOLDEN DROVER

To be used to correct left to right trim problems. Maximum 2 plates (10mm). Order centre bolt separately. Refer Manual for Instructions.

BONDED RUBBER BUSHES			
PART NUMBER	ID (MM)	OD (MM)	LENGTH (MM)
CBH14405970	14	40	59/70
CBH14406073	14	40	60/73
CBH145357889	14.5	35	78/89
CBH148517689	14.8	51	76/89
CBH16455689	16	45	56/89
CBH185396489	18.5	39	64/89
CBH18544489	18	54	44/89

LEAF LINER KITS	
PART NUMBER	DESCRIPTION
IL01YE (Round)	Inter Leaf Liners x 6 Pieces
SLK60 (60mm Wide)	Noise - Service Liners x 4 Pieces
SLK70 (70mm Wide)	Noise - Service Liners x 4 Pieces
<sup>1</sup> SLO0530413	Inter Leaf Liners Large 4mm Thick
SRBC60A	Inter Leaf Linder HDPE Long
SRBC60B	Inter Leaf Linder HDPE Short

1. When remaining stock is exhausted no further product will be available.

LEAF SPRING CENTRE BOLT SLEEVES				
PART NO.	LENGTH	OD	ID	APPLICATIONS
CBS01	15mm	25mm	15mm	LC 60 series rear
CBS02	10mm	19mm	16.8mm	GQ Patrol CC front

# SPECIFICATIONS - LEAF SPRINGS

## REPLACEMENT MAIN & SECOND LEAF

PART NUMBER	OME SPRING PART NUMBER	MAIN LEAF PART NUMBER	SECOND LEAF PART NUMBER
<b>FRONT SPRINGS</b>			
CS001F, CS002F	<sup>1</sup> 40 SERIES - OME13, OME131	SL1F/1	SL1F/2
CS003F, CS004F, CS005F	<sup>1</sup> 60 SERIES - OME110, OME11, OME111	SL3F/1	SL3F/2
CS006F, CS007F	<sup>1</sup> 75 SERIES - OME67, OME671	SL6F/1	SL6F/2
CS008FA	<sup>1</sup> HILUX - OME99A	SL8FA/1	SL8FA/2
CS008FB	<sup>1</sup> HILUX - OME99B	SL8FB/1	SL8FB/2
CS009FA	<sup>1</sup> HILUX - OME91A	SL9FA/1	SL9FA/2
CS009FB	<sup>1</sup> HILUX - OME91B	SL9FB/1	SL9FB/2
CS010FA, CS011FA	<sup>1</sup> PATROL M60 - OME3A, OME31A	SL10FA/1	SL10FA/2
CS010FB, CS011FB	<sup>1</sup> PATROL M60 - OME3B, OME31B	SL10FB/1	SL10FB/2
CS012FA, CS013FA	<sup>1</sup> SUZUKI SIERRA - OMES1A	SL12FA/1	SL12FA/2
CS012FB, CS013FB	<sup>1</sup> SUZUKI SIERRA - OMES1B	SL12FB/1	SL12FB/2
CS014F	<sup>1</sup> JEEP YJ - OMEJ1F	SL14F/1	SL14F/2
<b>REAR SPRINGS</b>			
CS001R, CS002R	<sup>1</sup> 40 SERIES - OME14, OME141	SL1R/1	SL1R/2
CS003R	<sup>1</sup> 45 SERIES - OME201	SL3R/1	SL3R/2
CS004RA, CS005RA	<sup>1</sup> 60 SERIES - OME113A, OME1131A	SL4RA/1	SL4RA/2
CS004RB, CS005RB	<sup>1</sup> 60 SERIES - OME113B, OME1131B	SL4RB/1	SL4RB/2
CS006R, CS007R, CS008R	<sup>1</sup> 75 SERIES - OME39, OME391, OME3911, OME39111	SL6R/1	SL6R/2
CS009R, CS010R	<sup>1</sup> HILUX - OME17, OME171, OME1711	SL9R/1	SL9R/2
CS011R, CS012R	<sup>1</sup> PATROL M60 - OME4, OME41	SL11R/1	SL11R/2
<sup>1</sup> CS013R, <sup>1</sup> CS014R, <sup>1</sup> CS015R	<sup>1</sup> 78/79 SERIES - OME49, OME491, OME492, OME493	SL13R/1	SL13R/2
CS016RA	<sup>1</sup> PATROL Y60, Y61 CAB CHASSIS - OME61A, OME611A	SL16RA/1	SL16RA/2
CS016RB	<sup>1</sup> PATROL Y60, Y61 CAB CHASSIS - OME61B, OME611B	SL16RB/1	SL16RB/2
CS017RA	<sup>1</sup> HJ60 - OME221A	SL17RA/1	SL17RA/2
CS017RB	<sup>1</sup> HJ60 - OME221B	SL17RB/1	SL17RB/2
CS018R, CS019R, CS020R, CS021R	<sup>1</sup> HILUX - OME180, OME18, OME181, OME1811	SL18R/1	SL18R/2
CS022R, CS023R	<sup>1</sup> TRITON / PAJERO - OME22, OME222	SL22R/1	SL22R/2
CS062R, CS063R	<sup>1</sup> ISUZU / RODEO 2003 - OMEROD4, OMEROD5	SL24R/1	SL24R/2
CS026R, CS027R	<sup>1</sup> MAZDA / FORD UTE - OME26, OME261	SL26R/1	SL26R/2
CS028R, CS029R	<sup>1</sup> ISUZU / RODEO - OMEROD1, OMEROD11, OMEROD111	SL28R/1	SL28R/2
CS030R, CS031R, CS032R	<sup>1</sup> NAVARA D21, D22 - OMENN1, OMENN11, OMENN2	SL30R/1	SL30R/2
CS033RA	JEEP XJ - 75mm	SL33RA/1	D22XL
CS033RB	JEEP XJ - 75mm	SL33RB/1	D22XL
CS034RA, CS035RA	<sup>1</sup> JEEP XJ - OMEJC1A, OMEJC2A	SL34RA/1	SL34RA/2
CS034RB, CS035RB	<sup>1</sup> JEEP XJ - OMEJC1B, OMEJC2B	SL34RB/1	SL34RB/2
CS036R, CS037R	<sup>1</sup> JEEP YJ - OMEJ1R, OMEJ2R	SL36R/1	SL36R/2
CS038R, CS039R	<sup>1</sup> SUZUKI SIERRA - OMES2, OMES21	SL38R/1	SL38R/2
<sup>1</sup> CS043R, <sup>1</sup> CS044R, <sup>1</sup> CS045R, <sup>1</sup> CS071R	HILUX 2005 TO 2015	SL43R/1	SL43R/2
<sup>1</sup> CS049R, CS056R, CS060R	RANGER / BT-50 12/2006 TO 2011	SL49R/1	SL49R/2
CS053R, CS054R	TRITON ML & MN 2006 TO 2015	SL22R/1	SL53R/2
CS062R	COLORADO, DMAX 2008 TO 2011, RODEO 2003 TO 2008	SL62R/1	SL62R/2
CS063R	COLORADO, DMAX 2008 TO 2011, RODEO 2003 TO 2008	SL62R/1	SL63R/2
CS064R, CS065R	AMAROK 2010 ON	SL64R/1	SL64R/2
<sup>1</sup> CS066R	78/79 SERIES	SL13R/1	SL66R/2
<sup>1</sup> CS068R, <sup>1</sup> CS069R	RANGER / BT-50 2011 ON	SL49R/1	SL49R/2
CS150R, CS151R	NAVARA D40 / EQUATOR (US Market Only)	SL150R/1	D31XL

1. When remaining stock is exhausted no further product will be available.

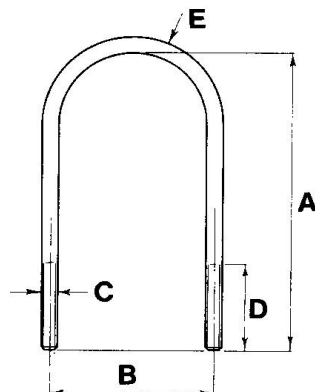
# SPECIFICATIONS - LEAF SPRINGS

## U BOLTS

OE spring stack height must be compared to OME spring before final

U Bolt selection as OE spring stack heights may vary from model to model.

PART NO.	A LEG LENGTH mm	B LEG CENTRE mm	C THREAD DIA mm	D THREAD LENGTH mm	THREAD PITCH	E TOP TYPE	REC. TORQUE Lbs.ft.	REC. TORQUE Nm
OMEU51	210	85	14	70	1.5	SQUARE	93	126
OMEU52	200	76	14	75	1.5	FLAT	93	126
OMEU53	168	75	14	70	1.5	SQUARE	93	126
OMEU53A	185	75	14	65	1.5	SQUARE	93	126
OMEU53B	200	75	14	70	1.5	SQUARE	93	126
OMEU54	175	85	12	70	1.25	ROUND	58	79
OMEU55	218	97	14	70	1.5	SQUARE	93	126
OMEU56	100	75	12	50	1.25	SQUARE	58	79
OMEU57	190	88	12	70	1.25	ROUND	58	79
OMEU58	210	110	14	75	1.5	ROUND	93	126
OMEU58B	242	110	14	75	1.5	ROUND	93	126
OMEU59A	197	97	14	75	1.5	ROUND	93	126
OMEU59B	225	97	14	75	1.5	ROUND	93	126
OMEU59C	240	97	14	75	1.5	ROUND	93	126
OMEU59D	197	97	14	90	1.5	ROUND	93	126
OMEU60	150	81	11	70	1.27	ROUND	45	61
OMEU61	147	87	10	60	1.25	ROUND	34	45
OMEU61B	160	87	10	70	1.25	ROUND	34	45
OMEU62	145	73	10	70	1.25	ROUND	34	45
OMEU63	190	74	12	50	1.25	SQUARE	58	79
OMEU64	260	125	14	90	1.5	ROUND	93	126
OMEU65	215	97	14	75	1.5	ROUND	93	126
OMEU66	190	103	14	60	1.5	ROUND	93	126
OMEU66A	210	103	14	60	1.5	ROUND	93	126
OMEU66B	230	102	14	60	1.5	ROUND	93	126
OMEU67	350	107	16	75	2.0	ROUND	145	197
OMEU68	275	107	16	75	2.0	ROUND	145	197
OMEU69	235	95	14	65	2.0	ROUND	93	126
OMEU69A	260	95	14	65	2.0	ROUND	93	126
OMEU70	205	95	14	55	2.0	SQUARE	93	126
OMEU70A	230	95	14	55	2.0	SQUARE	93	126
OMEU71	150	82	12	60	1.5	SQUARE	58	79
OMEU72	200	97	14	90	1.5	ROUND	93	126
OMEU73	125	91	10	40	1.25	ROUND	34	45
OMEU76	170	84	12	50	1.5	SQUARE	58	79
OMEU77	325	97	16	110	2.0	SEMI ROUND	145	197
OMEU78	410	97	16	110	2.0	SEMI ROUND	145	197
OMEU79	295	107	16	110	2.0	ROUND	145	197
OMEU80	380	107	16	110	2.0	ROUND	145	197
OMEU81	180	80	14	50	1.5	SQUARE	93	126



cont.

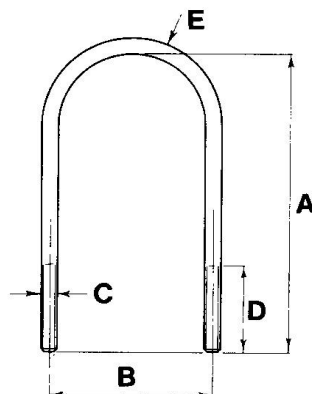
# SPECIFICATIONS - LEAF SPRINGS

## U BOLTS

OE spring stack height must be compared to OME spring before final

U Bolt selection as OE spring stack heights may vary from model to model.

PART NO.	A LEG LENGTH mm	B LEG CENTRE mm	C THREAD DIA mm	D THREAD LENGTH mm	THREAD PITCH	E TOP TYPE	REC. TORQUE Lbs.ft.	REC. TORQUE Nm
OMEU82	200	80	14	50	1.5	SQUARE	93	12.6
OMEU83	220	80	14	50	1.5	SQUARE	93	12.6

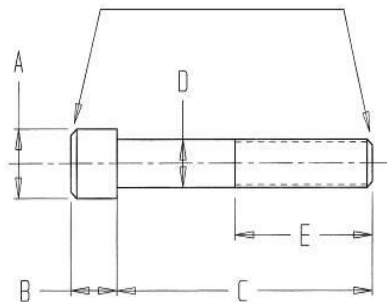


# SPECIFICATIONS - LEAF SPRINGS

## REPLACEMENT CENTRE BOLTS

Centre Bolt Part No.	Dimension Details						Spring Part No.
	Head Diameter A	Head Depth B	Shank Length C	Shank Diameter D	Thread Length E	Thread	
UCB1	17	10	90	9.5	50	3/8 UNF	CS011R, 12R
UCB2	15	15	90	9.5	50	3/8 UNF	CS004RA/B, 17RA/B
UCB3	14	11	70	9.5	50	3/8 UNF	CS003F, 4F, 5F
UCB4	14	8	110	9.5	50	3/8 UNF	CS003R, 6R, 7R, 8R
UCB5	14	8	70	9.5	50	3/8 UNF	CS006F, 07F, 10FA/B, 11FA/B, 22R, 23R, 40R, 41R, 42R, 53R, 54R, 100R, EL120, 121R
UCB6	14	8	80	7.9	50	5/16 UNF	CS009R, 10R, 18R, 19R, 20R, 21R
UCB7	14	5	55	7.9	35	5/16 UNF	CS008FA/B, 9FA/B, 12FA/B, 13FA/B, 38R, 39R
UCB8	12	9	75	7.9	50	5/16 UNF	CS001F, 2F, 1R, 2R, 33RA/B, 34RA/B, 35RA/B
UCB09	13	10	55	7.9	40	5/16 UNF	CS014F, 36R, 37R
UCB10	14	8	120	9.5	40	3/8 UNF	CS008R, 48R, <sup>1</sup> EL081R, <sup>1</sup> 82R, <sup>1</sup> 84R, <sup>1</sup> 85R, 93R, 94R
UCB11	17	10	115	9.5	40	3/8 UNF	CS016RA/B
UCB12	11	8	70	7.9	40	5/16 UNF	CS028R
UCB13	14	6	70	9.5	40	3/8 UNF	CS030R, 31R, 32R
UCB14	14	6	80	9.5	40	3/8 UNF	CS030R, 31R, 32R, <sup>1</sup> 43R, 43R-15, <sup>1</sup> 44R, <sup>1</sup> 45R, 46RA/B, <sup>1</sup> 71R
UCB15	11.5	9	72	7.9	30	5/16 UNF	<sup>1</sup> CS024R, <sup>1</sup> 25R, 62R, 63R
UCB16	11	8	80	7.9	40	5/16 UNF	CS028R, 29R
UCB17	14	8	90	9.5	50	3/8 UNF	<sup>1</sup> CS013R, <sup>1</sup> 14R, <sup>1</sup> 15R, 26R, 27R, <sup>1</sup> 47R, 57R, 58R, 64R, 65R, <sup>1</sup> EL095R, <sup>1</sup> 96R, 101R
UCB18	16	8	50	10	30	M10	<sup>1</sup> CS015F, 18F
UCB19	14	8	95	10	45	M10	CS018R, <sup>1</sup> 49R, <sup>1</sup> 50R, <sup>1</sup> 51R, 56R, 60R, 150R, 151R, EL013R <sup>1</sup> , <sup>1</sup> 14R, <sup>1</sup> 15R, 43R, 44R, 45R, <sup>1</sup> 49R, <sup>1</sup> 66R, <sup>1</sup> 68R, <sup>1</sup> 69R, 71R, <sup>1</sup> 72R, <sup>1</sup> 73R, <sup>1</sup> 74R, <sup>1</sup> 79R, <sup>1</sup> 80R, <sup>1</sup> 83R, <sup>1</sup> 86R, <sup>1</sup> 87R, <sup>1</sup> 88R, <sup>1</sup> 89R, <sup>1</sup> 90R, <sup>1</sup> 91R, 92R, <sup>1</sup> 102R, <sup>1</sup> 103R, <sup>1</sup> 104R, 105R, 106R, 107R, 108R, 109R, 110R, 111R, 112R, 113R, 114R, 117R, 118R, 119R, 123R, 124R, 125R, 126R, 127R, 128R
UCB20	16	8	62	10	45	M10	CS018F
UCB21	14	8	180	10	50	M10	EL077R With Overload Leaf

1. When remaining stock is exhausted no further product will be available.



# SPECIFICATIONS - LEAF SPRINGS

## LEAF SPRINGS

Part No.	OME Part No.	Stack Height (mm)	No. of Leaves	Eye Dia. mm		Weight (kg)	Primary Free Camber mm	Spring Rate	
				Front	Rear			lbf / in	N / mm
CS001F	<sup>1</sup> OME13	48.0	8	35.0	35.0	23.0	165	350	61.3
CS001R	<sup>1</sup> OME14	43.0	5 + 1	35.0	35.0	21.5	225	300 / 450	52.5 / 79
CS002F	<sup>1</sup> OME131	54.0	9	35.0	35.0	27.0	165	398	69.8
CS002R	<sup>1</sup> OME141	49.0	6 + 1	35.0	35.0	25.6	225	357 / 496	62.5 / 87
CS003F	<sup>1</sup> OME110	30.0	5	35.0	35.0	15.5	200	220	38.5
CS003R	<sup>1</sup> OME201	81.0	6 + 3	35.0	35.0	45.4	235	510 / 710	90 / 125
CS004F	<sup>1</sup> OME11	36.0	6	35.0	35.0	17.7	196	257	45
CS004RA	<sup>1</sup> OME113A	58.0	6 + 2	35.0	35.0	31.6	250	268 / 570	47.0 / 100
CS004RB	<sup>1</sup> OME113B	58.0	6 + 2	35.0	35.0	31.6	230	268 / 570	47.0 / 100
CS005F	<sup>1</sup> OME111	42.0	7	35.0	35.0	21.5	196	305	53.5
CS005RA	<sup>1</sup> OME1131A	64.0	7 + 2	35.0	35.0	36.0	250	314 / 617	55 / 108
CS005RB	<sup>1</sup> OME1131B	64.0	7 + 2	35.0	35.0	36.0	230	314 / 617	55 / 108
CS006F	<sup>1</sup> OME67	43.0	7	35.0	35.0	21.6	220	302	53
CS006R	<sup>1</sup> OME391	82.0	7 + 3	40.0	40.0	46.8	240	388 / 610	68 / 107
CS007F	<sup>1</sup> OME671	49.0	8	35.0	35.0	25.5	220	348	61
CS007R	<sup>1</sup> OME3911	89.0	8 + 3	40.0	40.0	52.2	240	455 / 600	80 / 105
CS008FA	<sup>1</sup> OME99A	32.5	5	30.0	30.0	14.8	170	208	36.5
CS008FB	<sup>1</sup> OME99B	32.5	5	30.0	30.0	14.8	150	208	36.5
CS008R	<sup>1</sup> OME39111	96.0	9 + 3	40.0	40.0	59.5	240	500 / 656	88 / 115
CS009FA	<sup>1</sup> OME91A	39.0	6	30.0	30.0	18.4	170	254	44.5
CS009FB	<sup>1</sup> OME91B	39.0	6	30.0	30.0	18.4	150	254	44.5
CS009R	<sup>1</sup> OME17	48.0	4 + 2	30.0	30.0	20.0	230	217 / 388	38.0 / 68.0
CS010FA	<sup>1</sup> OME3A	43.0	7	32.5	32.5	18.9	215	283	49.6
CS010FB	<sup>1</sup> OME3B	43.0	7	32.5	32.5	18.9	200	283	49.6
CS010R	<sup>1</sup> OME171	54.5	5 + 2	30.0	30.0	24.2	230	285 / 445	50.0 / 78.0
CS011FA	<sup>1</sup> OME31A	49.0	8	32.5	32.5	22.3	215	343	60
CS011FB	<sup>1</sup> OME31B	49.0	8	32.5	32.5	22.3	200	343	60
CS011R	<sup>1</sup> OME4	56.0	8	32.5	32.5	26.8	275	211	37
CS012FA	<sup>1</sup> OMES1A	24.4	4	30.0	40.0	8.1	125	207	36.3
CS012FB	<sup>1</sup> OMES1B	24.4	4	30.0	40.0	8.1	110	207	36.3
CS012R	<sup>1</sup> OME41	63.0	9	32.5	32.5	30.2	275	240	42
CS013FA	N/A	30.0	5	30.0	40.0	10.4	125	247	27.9
CS013FB	N/A	30.0	5	30.0	40.0	10.4	110	247	27.9
<sup>1</sup> CS013R	<sup>1</sup> OME491	68.0	5 + 2	40.0	40.0	47.9	268	279 / 548	52 / 96
CS014F	<sup>1</sup> OMEJ1F	26.0	4	31.4	37.6	11.0	210	148	26
<sup>1</sup> +CS014R	<sup>1</sup> +OME492	68.0	5 + 2	40.0	40.0	47.9	268	279 / 548	52 / 96
<sup>1</sup> CS015F	N/A	52.0	6	52.0	42.0	33.0	190	369	65
<sup>1</sup> +CS015R	<sup>1</sup> +OME493	76.0	6 + 2	40.0	40.0	51.5	268	325 / 680	57 / 119
CS016F	N/A	56.0	8	32.7	40.0	27.0	229	337	59
CS016RA	<sup>1</sup> OME611A	82.0	7 + 3	40.0	40.0	50.8	250	325 / 585	57 / 103
CS016RB	<sup>1</sup> OME611B	82.0	7 + 3	40.0	40.0	50.8	235	325 / 585	57 / 103
CS017RA	<sup>1</sup> OME221A	48.0	8	35.0	35.0	25.5	250	255	44.7
CS017RB	<sup>1</sup> OME221B	48.0	8	35.0	35.0	25.5	230	255	44.7
CS018F	N/A	58.0	7	51.5	41.5	37.7	202	431	75.5
*CS018R	<sup>1</sup> *OME180	52.5	3 + 3	39.0	30.0	25.0	215	125 / 485	22 / 85
CS019R	<sup>1</sup> OME18	52.5	3 + 3	39.0	30.0	27.3	235	125 / 485	22 / 85
CS020R	<sup>1</sup> OME181	59.0	4 + 3	39.5	30.0	30.6	235	160 / 540	28 / 95
CS021R	<sup>1</sup> OME1811	65.5	5 + 3	39.0	30.0	31.0	235	274 / 571	48 / 100
CS022R	<sup>1</sup> OME22	41.0	5 + 1	31.5	27.5	22.0	195	194 / 388	34.0 / 68.0

Free Camber is measured from top of eye (not centre line) to main leaf at centre bolt. Allow 3mm tolerance either side.

cont.

\* These springs have a 20mm lower 2nd Stage than other springs in the series.

+ These springs have a 20mm higher 2nd stage than other springs in the series.

1. When remaining stock is exhausted no further product will be available.

# SPECIFICATIONS - LEAF SPRINGS

## LEAF SPRINGS

Part No.	OME Part No.	Stack Height (mm)	No. of Leaves	Eye Dia. mm		Weight (kg)	Primary Free Camber mm	Spring Rate	
				Front	Rear			lbf / in	N / mm
+CS023R	<sup>1</sup> +OME222	58.0	6 + 2	31.5	27.5	29.5	195	230 / 570	41 / 100
<sup>1</sup> CS024R	<sup>1</sup> OMEROD4	54.0	4 + 2	39.0	30.0	22.0	181	205 / 450	36 / 79
CS026R	<sup>1</sup> OME26	59.0	4 + 3	32.7	32.7	26.3	164	177 / 616	31 / 108
CS027R	<sup>1</sup> OME261	65.5	5 + 3	32.7	32.7	30.1	164	217 / 662	38 / 116
CS028R	<sup>1</sup> OMEROD11	48.0	4 + 2	39.0	30.0	22.5	250	170 / 457	30 / 80
+CS029R	<sup>1</sup> +OMEROD111	60.5	4 + 3	39.0	30.0	25.4	250	216 / 616	38 / 108
CS030R	<sup>1</sup> OMENN1	52.5	3 + 3	40.0	32.5	22.1	170	126 / 531	22 / 93
CS031R	<sup>1</sup> OMENN11	59.0	4 + 3	40.0	32.5	25.5	170	165 / 571	29 / 100
*CS032R	<sup>1</sup> *OMENN2	52.5	3 + 3	40.0	32.5	22.1	170	126 / 411	22 / 72
CS033RA	N/A	43.5	5 + 1	62.0	43.5	22.4	263	168 / 256	29.4 / 44.9
CS033RB	N/A	43.5	5 + 1	62.0	43.5	22.4	243	168 / 256	29.4 / 44.9
CS034RA	<sup>1</sup> OMEJC1A	32.5	5	62.0	43.5	18.2	230	148	26
CS034RB	<sup>1</sup> OMEJC1B	32.5	5	62.0	43.5	18.2	205	148	26
CS035RA	<sup>1</sup> OMEJC2A	37.0	4 + 1	62.0	43.5	20.9	235	137 / 257	24 / 45
CS035RB	<sup>1</sup> OMEJC2B	37.0	4 + 1	62.0	43.5	20.9	210	137 / 257	24 / 45
CS036R	<sup>1</sup> OMEJ1R	32.5	5	37.5	31.5	13.7	205	188	33
CS037R	<sup>1</sup> OMEJ2R	32.5	5	37.5	31.5	13.8	185	188	33
CS038R	<sup>1</sup> OMES2	36.0	3 + 2	40.0	30.0	9.8	175	171 / 291	30 / 51
CS039R	<sup>1</sup> OMES21	42.0	4 + 2	40.0	30.0	12.3	175	228 / 348	40 / 61
CS040R	<sup>1</sup> OME19	29.0	3 + 1	31.5	27.5	16.4	211	148 / 245	26 / 43
CS041R	<sup>1</sup> OME191	35.0	4 + 1	31.5	27.5	16.4	211	200 / 296	35 / 52
CS042R	<sup>1</sup> OME36	45.0	4 + 1	46.8	31.0	28.0	210	228 / 310	40 / 55
<sup>1</sup> CS043R	N/A	50.0	4 + 2	40.0	30.0	24.0	194	170 / 340	30 / 60
CS043R-15	N/A	50.0	4 + 2	40.0	30.0	24.0	179	170 / 340	30 / 60
<sup>1</sup> CS044R	N/A	50.0	4 + 2	40.0	30.0	24.0	204	170 / 340	30 / 60
<sup>1</sup> +CS045R	N/A	57.0	5 + 2	40.0	30.0	27.5	204	204 / 361	35.8 / 63.8
CS046RA	<sup>1</sup> OME15A	52.0	5 + 2	40.5	30.0	26.7	222	114 / 194	20 / 34
CS046RB	<sup>1</sup> OME15B	52.0	5 + 2	40.5	30.0	26.7	209	114 / 194	20 / 34
<sup>1</sup> CS047R	N/A	57.0	5 + 2	40.0	40.0	32.4	207	182 / 392	32 / 69
CS048R	N/A	50.0	3 + 2	40.0	40.0	32.5	275	225 / 416	39 / 73
<sup>1</sup> CS049R	N/A	45.0	4 + 1	40.0	32.7	25.0	173	212 / 450	37 / 79
<sup>1</sup> CS051R	N/A	67.0	5 + 2	40.0	33.4	36.25	177	244 / 535	43 / 94
CS053R	N/A	35.0	4 + 1	31.5	27.5	20.3	193	166 / 321	29 / 56
CS054R	N/A	41.0	5 + 1	30.0	27.5	24.3	193	209 / 365	37 / 64
CS055R	N/A	65.0	4 + 2	40.0	40.0	36.5	190	205 / 330	36 / 58
CS056R	N/A	37.0	3 + 1	40.0	32.7	20.0	173	147 / 371	26 / 65
CS057R	N/A	59.0	4 + 2	40.0	40.0	36.6	225	234 / 627	41 / 110
CS058R	N/A	66.0	5 + 2	40.0	40.0	42.8	260	300 / 694	53 / 122
CS059R	N/A	55.0	4 + 1	51.0	43.0	22.9	265	242 / 338	43 / 59
CS060R	N/A	70.0	5 + 2	40.0	32.7	33.12	138	277 / 608	49 / 107
CS061R	N/A	58.0	4 + 2	40.0	32.7	24.9	208	186 / 352	32.7 / 61.7
CS062R	N/A	60.0	5 + 2	39.0	30.0	26.0	223	215 / 459	38 / 80
CS063R	N/A	64.0	5 + 2	39.0	30.0	28.0	226	294 / 610	52 / 107
CS064R	N/A	58.0	4 + 2	60.0	46.0	39.2	266	169 / 445	30 / 78
CS065R	N/A	69.0	5 + 2	60.0	46.0	48.2	266	267 / 582	47 / 102
<sup>1</sup> CS066R	N/A	92.0	8 + 2	40.0	40.0	59.6	266	412 / 679	72 / 119
<sup>1</sup> CS068R	N/A	66.0	5 + 2	40.0	32.7	33.1	163	277 / 608	49 / 107
<sup>1</sup> CS069R	N/A	80.0	6 + 2	40.0	32.7	37.0	148	338 / 707	59 / 124
CS070R	N/A	83.0	7 + 2	40.0	40.0	50.0	253	408 / 684	71 / 120

Free Camber is measured from top of eye (not centre line) to main leaf at centre bolt. Allow 3mm tolerance either side.

cont.

\* These springs have a 20mm lower 2nd Stage than other springs in the series.

+ These springs have a 20mm higher 2nd stage than other springs in the series.

1. When remaining stock is exhausted no further product will be available.



# SPECIFICATIONS - LEAF SPRINGS

## LEAF SPRINGS

Part No.	OME Part No.	Stack Height (mm)	No. of Leaves	Eye Dia. mm		Weight (kg)	Primary Free Camber mm	Spring Rate	
				Front	Rear			lbf / in	N / mm
<sup>1</sup> CS071R	N/A	64.0	6 + 2	40.0	30.0	31.1	199	258 / 434	42 / 76
CS150R	N/A	59.0	4 + 2	40.0	33.4	30.9	177	192 / 481	34 / 84
CS151R	N/A	67.0	5 + 2	40.0	33.4	36.25	177	244 / 535	43 / 94
<sup>1</sup> EL013R	<sup>1</sup> CS013R	68.0	5 + 2	40.0	40.0	47.2	253	245 / 510	43 / 90
<sup>1</sup> EL014R	<sup>1</sup> CS014R	68.0	5 + 2	40.0	40.0	47.2	280	245 / 510	43 / 90
<sup>1</sup> EL015R	<sup>1</sup> CS015R	76.0	6 + 2	40.0	40.0	53.9	272	294 / 542	52 / 95
EL043R	<sup>1</sup> *CS043R	50.0	4 + 2	40.0	30.0	22.6	175	170 / 340	30 / 60
EL044R	<sup>1</sup> CS044R	50.0	4 + 2	40.0	30.0	22.6	186	170 / 340	30 / 60
EL045R	<sup>1</sup> CS045R	57.0	5 + 2	40.0	30.0	26.9	206	204 / 361	36 / 63
<sup>1</sup> EL049R	<sup>1</sup> CS049R	44.0	4 + 1	40.0	32.7	24.1	161	218 / 403	38 / 71
<sup>1</sup> EL066R	<sup>1</sup> CS066R	92.0	8 + 2	40.0	40.0	58.2	263	412 / 680	72 / 119
<sup>1</sup> EL068R	<sup>1</sup> CS068R	66.0	5 + 2	40.0	32.7	32.2	155	277 / 608	49 / 107
<sup>1</sup> EL069R	<sup>1</sup> CS069R	74.0	6 + 2	40.0	32.7	36.0	147	338 / 707	59 / 124
EL071R	<sup>1</sup> CS071R	64.0	6 + 2	40.0	30.0	30.5	200	258 / 434	45 / 76
<sup>1</sup> EL072R	N/A	53.0	3 + 2	40.0	30.0	27.8	199	193 / 432	34 / 76
<sup>1</sup> EL073R	N/A	61.0	4 + 2	40.0	30.0	32.7	203	250 / 515	44 / 90
<sup>1</sup> EL074R	N/A	69.0	5 + 2	40.0	30.0	37.5	202	307 / 544	54 / 101
EL077R	N/A	82.3	7 + 1	42.0	42.0	59.6	271	301 / 643	53 / 113
<sup>1</sup> EL079R	N/A	68.0	5 + 2	40.0	40.0	47.2	243	245 / 510	43 / 89
<sup>1</sup> EL080R	N/A	68.0	5 + 2	40.0	40.0	47.2	255	245 / 510	43 / 89
<sup>1</sup> EL081R	N/A	76.0	6 + 2	40.0	40.0	54.0	255	325 / 689	57 / 121
<sup>1</sup> EL082R	N/A	92.0	8 + 2	40.0	40.0	58.2	247	412 / 678	72 / 119
<sup>1</sup> EL083R	N/A	63.0	5 + 2	40.0	32.7	28.1	207	209 / 626	36 / 109
<sup>1</sup> EL084R	N/A	77.0	7 + 2	40.0	32.7	34.5	212	292 / 686	51 / 120
<sup>1</sup> EL085R	N/A	84.0	7 + 2	40.0	32.7	39.2	196	416 / 829	73 / 145
<sup>1</sup> EL086R	N/A	56.0	5 + 2	40.0	27.0	28.2	172	198 / 368	35 / 65
<sup>1</sup> EL087R	N/A	63.0	6 + 2	40.0	27.0	32.5	184	241 / 398	42 / 70
<sup>1</sup> EL088R	N/A	66.0	5 + 2	40.0	27.0	33.3	154	373 / 558	65 / 98
<sup>1</sup> EL089R	N/A	52.0	4 + 2	40.0	30.0	26.0	195	169 / 300	30 / 53
<sup>1</sup> EL090R	N/A	62.0	5 + 2	40.0	30.0	31.9	188	220 / 389	39 / 68
<sup>1</sup> EL091R	N/A	68.0	5 + 2	40.0	30.0	35.5	174	217 / 489	56 / 86
EL092R	N/A	51.0	5+1	40.0	32.7	25.0	207	209 / 505	36.6 / 88.5
EL093R	N/A	65.0	7+1	40.0	32.7	31.1	212	292 / 565	51.2 / 99.0
EL094R	N/A	70.0	7+1	40.0	32.7	35.8	196	416 / 590	72.8 / 103.4
<sup>1</sup> EL095R	N/A	57.0	4+2	40.0	40.0	27.4	210	149 / 482	26.1 / 84.5
<sup>1</sup> EL096R	N/A	64.0	5+2	40.0	40.0	31.9	210	182 / 506	31.9 / 88.6
EL100R	N/A	38.0	3+1	50.0	40.0	20.1	170	167 / 589	29.2 / 68.1
EL101R	N/A	46.0	4+1	50.0	40.0	26.5	182	230 / 430	40.2 / 75.3
<sup>1</sup> EL102R	N/A	56.0	4+1	50.0	32.7	23.7	166	213 / 558	37.4 / 97.8
<sup>1</sup> EL103R	N/A	67.0	5+1	50.0	32.7	28.8	167	277 / 601	48.6 / 105.4
<sup>1</sup> EL104R	N/A	79.0	6+1	50.0	32.7	32.8	165	338 / 722	59.3 / 126.5
EL105R	N/A	53.0	4+1	40.0	30.0	23.6	217	169 / 305	29.6 / 53.5
EL106R	N/A	65.0	5+1	40.0	30.0	29.2	221	220 / 384	38.5 / 67.2
EL107R	N/A	71.0	5+1	40.0	30.0	32.8	202	317 / 501	55.5 / 87.8
EL108R	N/A	48.0	3+1	40.0	30.0	22.7	204	193 / 499	33.8 / 87.5
EL109R	N/A	59.0	4+1	40.0	30.0	27.0	205	250 / 538	43.8 / 94.3
EL110R	N/A	70.0	5+1	40.0	30.0	31.9	201	307 / 576	53.9 / 100.9
EL111R	N/A	66.0	4+2	40.0	40.0	27.4	204	157 / 482	27.6 / 84.5
EL112R	N/A	76.0	5+2	40.0	40.0	31.9	204	193 / 506	33.7 / 88.6
EL113R	N/A	68.0	5 + 2	40.0	40.0	47.2	243	245 / 510	43 / 89
EL114R	N/A	68.0	5 + 2	40.0	40.0	47.2	255	245 / 510	43 / 89

Free Camber is measured from top of eye (not centre line) to main leaf at centre bolt. Allow 3mm tolerance either side.

cont.

1. When remaining stock is exhausted no further product will be available.

# SPECIFICATIONS - LEAF SPRINGS

## LEAF SPRINGS

Part No.	OME Part No.	Stack Height (mm)	No. of Leaves	Eye Dia. mm		Weight (kg)	Primary Free Camber mm	Spring Rate	
				Front	Rear			lbf / in	N / mm
EL115R	N/A	76.0	6 + 2	40.0	40.0	54.0	255	325 / 689	57 / 121
EL116R	N/A	92.0	8 + 2	40.0	40.0	58.2	247	412 / 678	72 / 119
EL117R	N/A	60.0	5+1	40.0	27.0	25.4	157	198 / 375	34.6 / 65.7
EL118R	N/A	70.0	6+1	40.0	27.0	29.7	166	241 / 405	42.2 / 70.9
EL119R	N/A	69.0	5+1	40.0	27.0	30.2	152	373 / 606	65.3 / 106.2
EL120R	N/A	45.0	3+1	50.0	32.7	19.3	241	150 / 515	26.2 / 90.3
EL121R	N/A	56.0	4+1	50.0	32.7	23.7	231	213 / 558	37.4 / 97.8
EL122RA	N/A	64.0	5+2	40.0	40.0	26.2	204	120 / 283	21.1 / 49.6
EL122RB	N/A	64.0	5+2	40.0	40.0	26.2	189	120 / 283	21.1 / 49.6
EL123R	N/A	48.0	3+1	40.0	30.0	22.7	184	193 / 499	33.8 / 87.5
EL124R	N/A	59.0	4+1	40.0	30.0	27.0	184	250 / 538	43.8 / 94.3
EL125R	N/A	70.0	5+1	40.0	30.0	31.9	180	307 / 576	53.9 / 100.9
EL126R	N/A	56.0	4+1	50.0	32.7	23.7	179	213 / 558	37.4 / 97.8
EL127R	N/A	67.0	5+1	50.0	32.7	28.8	179	277 / 601	48.6 / 105.4
EL128R	N/A	79.0	6+1	50.0	32.7	32.8	173	338 / 722	59.3 / 126.5

Free Camber is measured from top of eye (not centre line) to main leaf at centre bolt. Allow 3mm tolerance either side.

# SPECIFICATIONS - COIL SPRINGS

## COIL SPRINGS

Spring Number	X5K Steel	Bar Dia. mm	Free Height mm		Number Of Turns	Coil weight (kg)	Spring Rate		OE Spring Rate Lbs
			A	B			lbf / in	N / mm	
2105 <sup>1</sup>	X	19	475	485	9.0	8.5	350	61	160
2106 <sup>1</sup>	X	21	460	470	8.3	11.3	400 / 440	70 / 77	170
2412	X	17	460	445	8.0	6.1	250	44	200
2413	X	17	485	470	8.0	6.1	250	44	200
2414	X	18	510	495	9.5	8.3	250	44	200
2415	X	19	510	495	7.7	8.5	290	51	180
2416	X	19	535	520	7.7	8.5	290	51	180
2417	X	19.5	560	545	8.3	9.9	290	51	180
2418	X	18	505	515	9.0	7.5	300	52	160
2419	X	18	530	540	9.0	7.5	300	52	160
2420	X	19	555	565	10.75	10.0	300	52	160
2421	X	19	480	490	7.7	8.5	280	49	170
2422	X	19	505	515	7.7	8.5	280	49	170
2423	X	19.5	530	540	8.3	9.9	280	49	170
2500 <sup>1</sup>	X	14.5	385	385	5.4	3.4	155	27	130
2501 <sup>1</sup>	X	15	350	350	7.3	4.3	175	31	130
2502 <sup>1</sup>	X	16	350	350	6.0	4.3	245	43	130
2503 <sup>1</sup>	X	15	342	342	7.0	4.1	185	32	130
2504 <sup>1</sup>	X	14.5	355	355	5.4	3.4	155	27	130
2505 <sup>1</sup>	X	15	330	330	7.3	4.3	175	31	130
2506 <sup>1</sup>	X	15	330	330	5.1	3.4	180	32	130
2507 <sup>1</sup>	X	15	338	338	5.1	3.5	180	32	160
2508 <sup>1</sup>	X	15	315	315	5.6	3.6	180	32	160
2509 <sup>1</sup>	X	17	360	360	5.4	4.7	250	44	200
2510 <sup>1</sup>	X	15	360	360	7.15	4.1	180	32	140
2511 <sup>1</sup>	X	13.5	345	345	6.6	2.8	190	33	160
2512 <sup>1</sup>	X	17.5	305	305	6.25	4.1	500	88	420
2513 <sup>1</sup>	X	14.5	345	345	6.63	3.3	250	44	200
2516 <sup>1</sup>	X	16	270	270	4.7	3.5	260	46	200
2517 <sup>1</sup>	X	16	280	280	4.7	3.5	260	46	200
2518 <sup>1</sup>	X	14.5	325	325	8.6	3.4	340	60	280
2519 <sup>1</sup>	X	15.5	355	355	5.7	4.1	190	33	140
2520 <sup>1</sup>	X	15	360	360	6.6	3.9	180	32	150
2523 <sup>1</sup>	X	16	300	300	8.0	4.1	500	88	440
2524 <sup>1</sup>	X	15	255	255	5.7	2.8	200	35	160
2525 <sup>1</sup>	X	15	340	340	5.75	3.8	215	38	160
2526 <sup>1</sup>	X	14.5	385	385	6.25	3.5	190	33	150
2527 <sup>1</sup>	X	19	385	385	5.0	6.5	240	42	180
2528 <sup>1</sup>	X	16	310	310	5.5	3.5	310	54	260
2529 <sup>1</sup>	X	14.5	375	375	7.51	3.6	230	40	180
2530 <sup>1</sup>	X	16	335	335	7.25	4.2	350	61	300
2531 <sup>1</sup>	X	14	315	315	6.5	3.0	230	40	190
2532 <sup>1</sup>	X	12	310	310	7.75	2.4	140	25	100
2533 <sup>1</sup>	X	16	450	450	11.0	5.3	355	62	260
2534 <sup>1</sup>	X	17	360	360	7.4	5.1	330	58	280
2535 <sup>1</sup>	X	14	370	370	7.5	3.3	200	35	160
2536	X	17	265	260	6.5	3.9	650	114	450
2538	X	17	265	260	6.5	3.9	650	114	450
2539 <sup>1</sup>	X	13.5	345	345	5.9	2.7	180	32	150
2540 <sup>1</sup>	X	16	300	300	7.0	3.7	420	74	350
2601 <sup>1</sup>	X	18	350	350	8.35	5.5	650	114	540
2602 <sup>1</sup>	X	16	392	392	8.22	5.6	180	32	150
2603	X	17	410	410	7.0	6.4	188	33	140
2604	X	17	400	400	6.0	5.5	227	38	140
2605	X	18	315	315	7.75	5.1	730	128	680
2606	X	18	320	320	7.75	5.1	730	128	680
2607	X	16.5	370	370	9.5	5.3	480	84	450

1. When remaining stock is exhausted no further product will be available.

cont.

# SPECIFICATIONS - COIL SPRINGS

## COIL SPRINGS

Spring Number	X5K Steel	Bar Dia. mm	Free Height mm		Number Of Turns	Coil weight (kg)	Spring Rate		OE Spring Rate Lbs
			A	B			lbf / in	N / mm	
2608	X	16.5	380	380	9.5	5.3	480	84	450
2609	X	19	440	440	8.0	7.8	390	68	330
2610	X	20	430	430	8.0	8.7	460	81	330
2611	X	18	310	310	7.75	5.1	730	128	680
2612	X	20	415	415	10.99	8.9	740	130	680
2613	X	20	435	435	10.99	8.9	740	130	680
2614	X	20	425	425	10.99	8.9	740	130	680
2615	X	13	510	510	10.0	3.7	120	21	120
2616	X	14	490	490	10.5	4.6	135	24	120
2617	X	15	430	430	7.0	4.1	160	28	100
2618	X	16	435	435	7.75	5.3	175	31	100
2619	X	14	515	515	10.5	4.6	135	24	120
2620	X	15	450	450	9.0	4.5	200	35	120
2621	X	14	520	520	9.55	4.1	150	26	120
2622	X	14.5	375	375	7.0	3.6	210	37	160
2623	X	15	375	375	6.1	3.8	200	35	160
2624	X	15	365	365	6.1	3.8	200	35	160
2625 (12/19 On)	X	16	540	540	9.5	4.3	540	95	460
2625 (To 11/19)	X	17	345	345	8.5	4.8	540	95	460
2626	X	13	500	500	10.0	3.7	120	21	120
2627	X	14	475	475	10.5	4.6	135	24	120
2628	X	14	505	505	10.5	4.6	135	24	120
2629	X	14	505	505	9.55	4.1	150	26	120
2630	X	15	405	405	7.0	4.1	160	28	100
2631	X	17.5	375	375	9.9	5.9	580	102	88
2640 <sup>1</sup>	X	17.5	305	305	7.4	4.5	730	128	670
2641 <sup>1</sup>	X	18	310	310	7.4	4.8	790	139	670
2642	X	14	540	540	10.5	4.6	135	24	120
2643	X	14.5	460	460	9.0	4.2	175	31	100
2700	X	18	420	420	8.75	5.7	625	109	500
2701	X	19	425	425	9.48	6.9	720	126	500
2702	X	18.5	430	430	9.48	6.6	625	109	500
2703	X	19	435	435	9.48	6.9	720	126	500
2704	X	18	410	410	8.8	6.6	625	109	500
2705	X	19	415	415	9.5	6.9	720	126	500
2720	X	18.5	420	410	8.42	8.8	270 / 350	47 / 61	170
2721	X	18.5	440	430	8.42	8.8	270 / 350	47 / 61	170
2722	X	19	440	430	7.2	8.0	275	48	170
2723	X	20	450	440	7.2	8.9	340	59	170
2724	X	21	445	435	7.2	9.8	400	70	170
2725	X	22	445	435	7.71	11.6	440	77	170
2730	X	15.5	315	315	5.4	3.5	240	42	200
2731	X	15.5	300	300	5.0	3.1	280	49	200
2743	X	21	360	360	8.6	8.7	800	140	600
2744	X	18	400	400	9.7	6.5	530	93	480
2745	X	19	390	390	9.7	7.2	670	117	480
2746	X	20	370	370	8.6	7.9	680	119	600
2751	X	15	390	380	6.57	3.9	225	39	200
2752	X	17	440	440	9.0	7.7	175 / 200	31 / 35	200
2754	X	20	435	435	6.9	8.3	420	74	240
2755	X	18	435	435	6.8	6.5	300	52	240
2760	X	15	395	385	9.0	5.2	180 / 250	32 / 44	160
2761	X	15	400	390	7.5	4.4	200	35	160
2762	X	17.5	420	410	8.6	7.0	300 / 340	52 / 60	170
2763	X	18	420	410	7.8	6.7	360	63	200
2764	X	16	430	420	8.0	5.4	220	39	200
2765 <sup>1</sup>	X	22	410	410	8.0	11.7	540	95	240

1. When remaining stock is exhausted no further product will be available.

cont.

# SPECIFICATIONS - COIL SPRINGS

## COIL SPRINGS

Spring Number	X5K Steel	Bar Dia. mm	Free Height mm		Number Of Turns	Coil weight (kg)	Spring Rate		OE Spring Rate Lbs
			A	B			lbf / in	N / mm	
2766	X	16	420	420	7.52	5.0	250	44	220
2767	X	16	385	375	6.66	4.5	285	50	200
2768	X	20	560	560	11.0	10.3	450	79	220
2770 <sup>1</sup>	X	16	480	470	10.0	6.5	260	45	160
2776	X	14	410	390	7.0	3.6	160	28	150
2777	X	14.5	395	375	7.24	4.0	180	32	150
2779	X	15.5	385	375	7.29	4.6	225	39	150
2780 <sup>1</sup>	X	18.5	470	460	8.68	9.0	250 / 340	43 / 59	160
2781	X	17	425	415	7.7	5.9	290	51	160
2789	X	16	280	280	7.25	3.9	410	72	380
2790	X	17	378	378	9.35	5.2	500	87	400
2791	X	16	280	280	7.25	3.9	410	72	380
2792	X	14	435	435	9.3	4.1	155	27	130
2793	X	15	350	350	5.2	3.7	165	29	120
2794	X	16	260	255	7.25	4.2	420	73	330
2795	X	16	285	285	6.0	4.0	360	63	330
2796 <sup>1</sup>	X	16	255	250	7.25	4.2	420	73	330
2797	X	13	350	350	10.0	2.7	340	59	300
2798	X	13	400	400	10.2	3.2	210	36	180
2799 <sup>1</sup>	X	16	353	353	5.5	4.5	200	35	150
2802	X	16	445	445	11.31	5.9	320	56	205
2803	X	16	465	465	10.7	5.5	340	59	205
2838	X	18	420	410	7.5	7.7	205 / 290	36 / 51	160
2850	X	16.5	495	505	9.0	6.2	220	38	160
2850J	X	17	515	525	9.9	7.3	220	38	160
2851	X	16	475	485	8.18	5.3	220	38	160
2853	X	16.5	485	485	10.13	6.2	275	48	160
2856	X	16	465	465	10.0	5.3	230	40	210
2859	X	16	470	470	9.25	5.3	275	48	210
2860	X	17	480	490	6.88	6.0	220	38	170
2861	X	16	480	490	10.4	6.8	170 / 250	30 / 44	160
2862	X	17	460	470	9.0	7.8	170 / 260	30 / 46	160
2863	X	18	480	490	7.0	6.9	250	43	170
2863J	X	18.5	505	515	7.7	9.2	265	46	170
2864	X	19	480	490	7.2	7.8	320	56	170
2865	X	17	460	460	6.88	6.0	220	38	170
2866	X	18	465	465	9.0	8.8	240 / 300	42 / 52	170
2868	X	20	480	490	7.15	8.8	360	63	170
2869	X	16.5	380	380	9.8	4.7	590	103	500
2870	X	14	370	355	8.5	3.6	220	38	160
2871	X	16	410	400	7.25	4.9	220	38	160
2872	X	14	400	400	9.0	3.9	190	33	160
2873	X	16	455	455	8.25	5.6	200	35	160
2874	X	15	408	408	9.0	4.5	220	38	160
2875	X	17	440	440	8.3	6.4	240	42	170
2876	X	14	390	375	8.5	3.6	200	35	160
2880	X	16	365	365	10.2	4.7	500	87	490
2881	X	16	375	375	10.2	4.7	500	87	490
2882	X	16.5	395	395	11.1	5.3	500	87	490
2883	X	16.5	375	375	9.75	4.7	590	103	500
2884	X	16.5	390	390	9.75	4.7	590	103	500
2885	X	16.5	395	395	9.75	4.7	590	103	500
2885 (01/09 On)	X	17	395	395	10.75	4.7	590	103	500
2886	X	17.5	402	402	10.6	5.9	660	115	590
2887	X	16.5	400	400	9.75	4.7	590	103	500
2887 (01/09 On)	X	17	400	400	10.75	4.7	590	103	500
2888	X	16.5	405	405	9.75	4.7	590	103	500

1. When remaining stock is exhausted no further product will be available.

cont.

# SPECIFICATIONS - COIL SPRINGS

## COIL SPRINGS

Spring Number	X5K Steel	Bar Dia. mm	Free Height mm		Number Of Turns	Coil weight (kg)	Spring Rate		OE Spring Rate Lbs
			A	B			lbf / in	N / mm	
2888 (01/09 On)	X	17	405	405	10.75	4.7	590	103	500
2889	X	16.5	400	400	6.21	4.6	260	45	150
2890	X	14.5	440	430	9.7	5.0	190	33	150
2891	X	15.5	425	415	9.5	5.6	210	37	150
2892	X	17	400	390	8.9	6.4	260 / 380	67	150
2895	X	16.5	390	390	6.21	4.6	260	45	150
2895E	X	17	375	375	6.75	5.4	260	45	150
2896	X	18	390	390	6.75	6.1	318	56	150
2897	X	19	390	390	6.75	6.9	387	68	150
2898	X	18	400	400	6.75	6.1	318	56	150
2899	X	19	400	400	6.75	6.9	387	68	150
2900	X	15	405	395	6.36	4.1	180	32	140
2901	X	16	395	385	6.25	4.6	220	38	140
2902	X	18	340	340	8.35	5.5	650	114	560
2903	X	16	380	380	7.3	5.0	210	37	160
2904	X	15	410	410	6.8	4.2	170	30	140
2905	X	17	313	313	6.0	4.6	360	63	300
2906	X	15	390	380	9.0	5.0	220 / 270	38	160
2907 <sup>1</sup>	X	17	370	370	5.25	5.0	213	37	160
2908 <sup>1</sup>	X	16	295	295	7.25	4.2	368	64	300
2910	X	17	400	390	7.5	6.9	150 / 260	26 / 45	160
2911	X	16	400	390	7.5	6.0	140 / 230	24 / 40	160
2912	X	15	420	420	10.8	5.7	180 / 300	31 / 52	160
2913	X	15	390	390	9.3	4.9	180 / 300	31 / 52	160
2914	X	18	330	330	8.1	5.5	650	114	580
2915	X	18	345	345	8.1	5.5	650	114	580
2917	X	21	345	335	7.25	8.4	700 / 900	112 / 158	650
2918	X	22	338	328	7.25	9.3	860 / 1000	151 / 175	650
2919	X	15	430	430	10.8	5.7	200 / 280	35 / 49	160
2920	X	14	430	430	8.0	3.7	190	33	160
2921	X	16	385	385	6.8	5.2	200	35	150
2922	X	14	360	360	6.1	3.3	140	25	120
2923	X	16	395	395	6.8	5.2	200	35	150
2924	X	19	340	340	8.1	6.2	790	138	580
2925	X	16	385	385	10.77	5.2	375	66	320
2926	X	16	392	392	10.77	5.2	375	66	320
2927	X	16	394	394	10.3	5.0	400	70	320
2928	X	16	410	410	6.8	5.3	200	35	150
2929	X	16	420	420	10.8	6.5	240 / 300	42 / 53	180
2930	X	14	475	465	9.8	4.2	162	28	140
2931	X	14	510	500	11.9	5.1	140	25	140
2932	X	14	480	470	11.2	4.8	140	25	140
2933	X	14	495	485	11.2	4.8	140	25	140
2934	X	14	510	500	10.0	4.3	160	28	140
2935	X	14	420	410	9.8	4.1	180	32	140
2936	X	15	420	410	10.0	4.8	220	39	170
2937	X	15	400	400	7.25	4.1	220	39	170
2938	X	18	400	390	7.5	7.7	205 / 290	36 / 51	160
2939	X	16	525	515	11.65	6.6	220	39	170
2940	X	14	380	370	8.6	3.7	190	33	140
2941	X	15	390	375	7.2	4.4	140	25	140
2942	X	15.5	380	365	6.58	4.2	160	28	140
2943	X	15	370	360	8.6	4.3	230	40	150
2944	X	15	395	385	8.0	4.4	190	33	165
2945	X	16	350	340	7.5	4.7	240	42	170
2947	X	16	340	340	5.8	4.4	170	30	150
2948	X	16	340	340	5.56	4.2	200	35	150

1. When remaining stock is exhausted no further product will be available.

cont.

# SPECIFICATIONS - COIL SPRINGS

## COIL SPRINGS

Spring Number	X5K Steel	Bar Dia. mm	Free Height mm		Number Of Turns	Coil weight (kg)	Spring Rate		OE Spring Rate Lbs
			A	B			lbf / in	N / mm	
2949	X	17	370	355	7.1	5.6	216	38	160
2950	X	16	300	300	8.5	4.0	540	95	420
2951	X	15	290	290	8.5	3.5	440	77	420
2952	X	11	345	345	8.3	1.8	142	25	120
2953	X	16	285	285	8.5	4.1	540	95	420
2954	X	12	340	340	8.5	2.2	180	32	140
2955	X	13	350	350	10.0	3.0	200	35	140
2956	X	16	330	330	8.5	4.2	500	88	420
2959	X	16	310	310	8.5	4.0	540	95	440
2960	X	15	300	300	8.5	3.5	440	77	410
2961	X	13	340	340	10.0	3.0	200	35	150
2962	X	16	320	320	8.5	4.0	540	95	440
2963	X	11.5	350	350	10.0	2.4	146	26	120
2965	X	11.5	365	365	10.0	2.4	146	26	120
2966	X	12	335	315	10.0	2.5	176	31	120
2967	X	12	325	325	9.0	2.4	176	31	120
2968	X	14	370	370	9.35	3.7	210	37	120
2969	X	12	360	360	9.5	2.5	170	30	150
2970	X	17	395	385	6.7	5.2	320	56	160
2971	X	17	405	395	6.66	4.5	320	56	160
2972	X	16	400	385	6.55	4.5	250	44	160
2972E	X	16	404	404	6.55	4.5	250	44	160
2973	X	16	415	400	6.55	4.5	250	44	160
2974	X	16	385	370	6.55	4.5	250	44	160
2974E	X	16	385	385	6.55	4.5	250	44	160
2975	X	16	425	410	7.45	5.0	220	39	160
2976	X	16	440	425	7.2	4.9	220	39	160
2977	X	20	370	370	7.6	7.1	730	128	650
2978	X	20.5	370	370	7.6	7.6	790	138.5	650
2979	X	20.5	375	375	7.6	7.6	790	138.5	650
2980	X	19	490	470	9.0	10.0	250	44	200
2981	X	21	480	460	9.0	12.3	300	53	200
2982	X	19	470	450	9.0	10.0	250	44	200
2983	X	20	480	455	9.0	11.1	300 / 400	44 / 70	200
2984	X	21	480	455	9.0	12.3	360 / 450	63 / 79	200
2985	X	21	480	460	7.0	9.8	470	82	200
2986	X	21	500	500	8.2	10.0	540	94.7	380
2987	X	22	500	500	8.1	11.0	610	107	380
2988	X	22.4	500	500	8.2	11.5	680	119	380
2990	X	18	370	370	8.9	6.3	530	93	440
2991	X	19	365	365	8.9	7.1	630	110	440
2992	X	17	355	345	7.15	5.8	240	42	190
2993	X	18	345	335	6.6	6.0	280	49	190
2994	X	21	335	325	7.25	8.4	700 / 900	123 / 158	600
2995	X	22	350	340	7.25	9.3	860 / 1000	151 / 175	600
2996	X	17.5	370	355	7.1	6.0	250	44	200
2997	X	18	360	360	8.72	5.5	800	140	700
2998	X	18	365	365	8.72	5.5	800	140	700
2999	X	18.5	365	365	8.72	5.8	840	147	700
3027	X	18.5	325	325	7.6	5.4	800	140	680
3028	X	17	430	420	8.5	6.1	330	58	250
3029	X	17	440	430	8.5	6.1	330	58	250
3030	X	20	435	425	7.5	9.0	270 / 330	47 / 58	190 / 280
3033	X	18	430	420	8.0	7.0	320	56	N/A
3034	X	21	505	485	9.0	12.4	300	52	N/A
3035	X	22	505	485	8.1	12.4	470	82	N/A
3036	X	18	455	445	8.0	7.0	320	56	N/A

cont.

# SPECIFICATIONS - COIL SPRINGS

## COIL SPRINGS

Spring Number	X5K Steel	Bar Dia. mm	Free Height mm		Number Of Turns	Coil weight (kg)	Spring Rate		OE Spring Rate Lbs
			A	B			lbf / in	N / mm	
3037	X	21	530	510	9.0	12.4	300	52	N/A
3038	X	22	530	510	8.1	12.4	470	82	N/A
3039	X	17	520	530	9.9	7.3	220	38.5	N/A
3040	X	19	505	515	8.3	9.2	250	44	N/A
3043	X	19	530	540	8.3	9.2	250	44	N/A
3046	X	15.5	490	490	9.81	5.4	200	35	N/A
3047	X	14.5	545	545	10.74	5.2	150	26	N/A
3048	X	18	350	350	8.72	5.5	800	140	N/A
3049	X	20	505	515	8.3	10.3	320	56	N/A
3051	X	17	545	555	9.9	7.3	220	38.5	N/A
3052	X	20	530	540	8.3	10.3	320	56	N/A
3056 <sup>1</sup>	X	16.5	360	360	9.75	4.7	590	103	580
3057	X	16.5	365	365	9.75	4.7	590	103	580
3058	X	16.5	370	370	9.75	4.7	590	103	580
3059 <sup>1</sup>	X	15.5	480	480	9.5	5.0	250	44	220
3060	XT	21	360	360	8.0	7.9	880	154	750
3061	X	16.5	450	450	9.85	6.2	250 / 300	44 / 52.5	N/A
3062	X	15.5	450	440	9.5	6.0	200	35	N/A
3063	X	16	450	440	9.5	6.5	225	39.4	N/A
3064	X	17	520	520	9.53	8.1	175 / 200	30.6 / 35	N/A
3065	X	19	515	515	9.3	10.0	270 / 330	47 / 58	N/A
3066	X	21	500	500	9.66	12.9	370 / 430	65 / 75	N/A
3067	X	22.4	470	460	8.3	13.4	350 / 650	61 / 114	N/A
3070 <sup>1</sup>	X	15.5	445	445	9.5	5.0	250	44	220
3071 <sup>1</sup>	X	15.5	485	485	9.5	5.0	250	44	220
3072 <sup>1</sup>	X	15.5	495	495	9.5	5.0	250	44	220
3073 <sup>1</sup>	X	15.5	460	460	9.5	5.0	250	44	220
3074	XT	20	385	385	8.0	7.0	750	131	750
3075	XT	21.5	580	580	11.95	13.1	520	91	N/A
3076	XT	21.5	605	605	11.95	13.1	520	91	N/A
3077 <sup>1</sup>	X	17	400	390	8.5	6.1	330	58	N/A
3078 <sup>1</sup>	XT	20	405	395	7.5	8.5	270 / 330	47 / 58	N/A
3079	X	17.5	310	310	7.75	4.7	690	121	N/A
3080	X	18	315	315	7.75	5.0	745	130	N/A
3085 <sup>1</sup>	X	15.5	515	510	10.75	6.0	250	44	220
3086 <sup>1</sup>	X	16	505	500	10.75	6.0	250	44	220
3087	X	15	420	420	8.5	4.5	220	38.5	220
3088	X	15.5	440	440	10.25	5.9	200 / 260	35 / 46	200
3089	X	16	445	445	10.25	6.3	240 / 300	42 / 53	200
3090	X	16.5	450	450	10.25	6.7	260 / 330	46 / 58	200
3091	X	15	435	435	8.18	4.1	220	38.5	220
3092	X	15.5	425	425	8.18	4.4	260	46	220
3093	X	16.5	430	430	8.13	5.0	320	56	220
3094	X	18	330	330	8.72	5.5	800	140	700
3095	X	16	445	445	8.5	5.8	180-260	32-46	210
3096	X	17	440	440	8.5	6.5	220-320	39-56	210
3097	X	18	440	440	8.5	7.4	280-380	49-67	210
3098	X	19	440	440	8.5	8.3	350-450	61-84	210
3099	X	16.75	390	390	10.0	5.4	500	87.5	440
3100	X	16.75	395	395	10.0	5.4	500	87.5	440
3101	X	16.75	400	400	10.0	5.4	500	87.5	440
3102	X	18.5	305	305	7.75	5.4	800	140	760
3103	X	18.5	310	310	7.75	5.4	800	140	760
3104	X	18.5	315	315	7.75	5.4	800	140	760
3105	X	18.5	320	320	7.75	5.4	800	140	760
3106	X	18	470	470	8.75	8.1	240-330	42-58	180-220
3107	X	18.5	490	490	8.75	8.6	260-350	46-61	180-220

1. When remaining stock is exhausted no further product will be available.

cont.



# SPECIFICATIONS - COIL SPRINGS

## COIL SPRINGS

Spring Number	X5K Steel	Bar Dia. mm	Free Height mm		Number Of Turns	Coil weight (kg)	Spring Rate		OE Spring Rate Lbs
			A	B			lbf / in	N / mm	
3108	X	18	320	320	8.1	5.5	650	114	N/A
3109	X	18	340	340	8.1	5.5	650	114	N/A
3110	X	19.5	400	400	8.0	7.8	562-740	98-129	N/A
3111	X	20.3	410	410	8.0	8.5	700-840	122-147	N/A
3112	X	22.5	380	380	6.93	9.1	975	170	N/A
3113	X	17.5	435	435	9.85	7.0	300-400	52-70	N/A
3114	X	16.5	385	385	9.75	4.7	590	103	500
3115	X	18	325	325	7.75	5.0	745	130	N/A
3116	X	18	330	330	7.75	5.0	745	130	N/A
3118	X	15.5	430	430	10.5	5.0	325	57	N/A
3119	X	15.5	440	440	10.5	5.0	325	57	N/A
3120	X	15.5	450	450	10.5	5.0	325	57	N/A
3121	X	15.5	460	460	10.5	5.0	325	57	N/A
3132	X	18	325	325	7.75	5.1	730	128	680
3133	X	14	470	460	10.5	4.7	140	24.5	N/A
3134	X	14	490	480	10.5	4.7	140	24.5	N/A
3135	X	14	515	505	10.5	4.7	140	24.5	N/A
3136	X	15	425	415	7.9	4.5	160	28	N/A
3137	X	15.5	430	420	7.8	4.8	175	31	N/A
3138	X	16.5	430	420	8.0	5.6	225	39	N/A
3139	X	17	430	420	7.8	5.8	260	45.5	N/A
3140	X	17.5	375	375	10.0	5.8	605	106	N/A
3141	X	17.5	390	390	10.0	5.8	605	106	N/A
3142	X	17.5	400	400	10.0	5.8	605	106	N/A
3143	X	17.5	405	405	10.0	5.8	605	106	N/A
3144	X	12	370	370	9.46	2.6	146	25.5	N/A
3145	X	12	380	380	9.46	2.6	146	25.5	N/A
3146	X	11	350	340	8.7	2.0	125	22	N/A
3153	X	13.5	450	440	9.32	4.7	140	24.5	N/A
3154	X	14	475	465	10.5	4.7	140	24.5	N/A
3155	X	14	485	475	10.5	4.7	140	24.5	N/A
3156	X	14	51	500	10.50	4.7	140	24.5	N/A
3157	X	15	390	380	7.09	4.0	175	30.7	N/A
3158	X	16	390	380	7.24	4.7	225	39.4	N/A
3159	X	16.5	390	380	7.08	4.9	260	45.5	N/A
3160	X	13.5	430	420	9.32	3.9	140	24.5	N/A
3161	X	14.5	385	375	7.11	3.8	160	28.0	N/A
3162	X	14.75	515	505	10.50	5.2	170	30.0	N/A
3163	X	18	415	415	10.47	6.5	600	105.0	N/A
3164	X	18	425	425	10.47	6.5	600	105.0	N/A
3165	X	18	430	430	10.47	6.5	600	105.0	N/A
3167	X	16.5	515	505	10.22	6.8	220	38.5	N/A
3168	X	17.5	515	505	9.83	7.4	280	49.0	N/A
3169	X	18.5	515	505	9.83	8.2	340	59.5	N/A
3175	X	14.5	515	505	10.50	5.0	160	28.0	N/A
3176	X	17.5	385	385	9.35	5.0	660	115.5	N/A
3177	X	17.5	395	395	10.18	5.8	660	115.5	N/A
3178 <sup>1</sup>	X	17.5	400	400	10.18	5.8	660	115.5	N/A
3179 <sup>1</sup>	X	17.5	405	405	10.18	5.8	660	115.5	N/A
3181	X	17	405	405	9.0	5.5	460	80.5	N/A
3182	X	15.5	450	450	9.0	5.1	215	38.0	N/A
3183	X	15.75	480	480	9.49	5.6	215	38.0	N/A
3185	X	19	450	420	7.20	8.0	275	48.0	N/A
3186	X	20	460	430	7.20	9.0	340	59.5	N/A
3187	X	21	455	425	7.20	9.9	400	70.0	N/A
3188	X	22	455	425	7.71	11.7	440	77.0	N/A
3189	X	11.5	370	370	9.55	2.4	122	21.0	N/A

cont.

# SPECIFICATIONS - COIL SPRINGS

## COIL SPRINGS

Spring Number	X5K Steel	Bar Dia. mm	Free Height mm		Number Of Turns	Coil weight (kg)	Spring Rate		OE Spring Rate Lbs
			A	B			lbf / in	N / mm	
3190	X	17.5	390	390	9.35	5.0	660	115.5	N/A
3191	X	16.5	465	465	9.37	6.8	180 / 260	32.46	N/A
3192	X	17.5	460	460	9.37	7.7	220 / 320	39 / 56	N/A
3193	X	18.5	460	460	9.37	8.7	280 / 380	49 / 67	N/A
3194	X	19.5	460	460	9.37	9.7	350 / 480	61 / 84	N/A
2GQ02A	X	18	465	465	9.0	9.0	200	35	180
2GQ02AM	X	18	505	490	8.7	8.7	220 / 240	39 / 42	180
2GQ02B	X	19	445	445	9.0	10.0	250 / 280	44 / 49	180
2GQ02C	X	18	480	465	9.0	9.0	200	35	180
2GQ02CM	X	17	485	470	9.0	7.9	170 / 190	30 / 33	180
2GQ02D	X	18	480	480	9.0	9.0	200	35	180
2GQ02G	X	19	475	460	9.0	10.0	220 / 350	39 / 61	180
2GQ02LP	X	19	475	445	9.0	10.0	250 / 280	44 / 49	180
2GQ02J	X	20	480	465	9.0	11.1	280 / 310	49 / 54	180

## COIL SPRINGS

**X5K MICRO-ALLOYED SPRING STEEL** is a new generation high strength spring steel grade designed to withstand higher operating stresses with superior resistance to sag and improved toughness and corrosion fatigue properties. These properties are enhanced by additions of Silicon, Chromium, Vanadium Nickel along with lower Carbon than conventional spring steel grades.

# SPECIFICATIONS - SHOCK ABSORBERS

## NITROCHARGER SPORT

Part Number	Open Length (mm)	Closed Length (mm)	Type	UPPER MOUNT BUSH KIT		Type	LOWER MOUNT BUSH KIT	
				Original Kit	Bushes only Replacement		Original Kit	Bushes only Replacement
60000	443	298	P4203	SMP493	N/A	E4050-BS	110-110-122	110-110-122
60001	443	298	P4203	SMP493	SMP493	E4050-BS	110-110-122	110-110-122
60002	612	368	P4204	SMP493	SMP493	E4005	110-034-069 <sup>1</sup>	OMEB40
60003	612	368	P4204	SMP493	SMP493	E4005	110-034-069 <sup>1</sup>	OMEB40
60004	580	356	P4184	SMP569	N/A	E4005	SMP621	OMEB40
60005	580	356	P4184	SMP569	SMP569	E4005	SMP621	OMEB40
60006	600	373	E4005	SMP649	SMP649	E4005	SMP649	SMP649
60007	597	373	E4005	SMP649	SMP649	E4005	SMP649	SMP649
60008	524	319	P4184	SMP501	OMEB42	P4184	SMP501	OMEB42
60009	589	349	P4169	SMP474	OMEB13	E4005	110-034-070	OMEB36
60010	652	403	E4005	110-034-070	OMEB15	E4005	110-034-070	OMEB15
60011	657	403	E4005	110-034-070	OMEB15	E4005	110-034-070	OMEB15
60012 <sup>1</sup>	496	301	P4184	SMP345	OMEB42	P4184	SMP345	OMEB42
60013	496	301	P4184	SMP345	OMEB42	P4184	SMP345	OMEB42
60013L	555	322	P4184	SMP345	OMEB42	P4184	SMP345	OMEB42
60014 <sup>1</sup>	657	403	E4005	SMP363	OMEB36	E4005	SMP363	OMEB40
60015	657	403	E4005	SMP363	OMEB36	E4005	SMP363	OMEB40
60015L	716	426	E4005	SMP363	OMEB36	E4005	SMP363	OMEB40
60016	376	262	E4051-S	110-110-076	N/A	E4051-S	110-110-076	N/A
60017	559	350	E4001	110-043-071	OMEB14	E4063-S	110-110-100	N/A
60018	617	359	P4184	SMP501	OMEB42	P4184	SMP501	OMEB42
60018L	667	381	P4184	SMP501	OMEB42	P4184	SMP501	OMEB42
60019	582	354	P4158	SMP641	N/A	E4040-BS	110-110-076	N/A
60020	625	378	P4184	SMP501	OMEB42	E4005	110-034-070	OMEB36
60020L	673	378	P4184	SMP501	OMEB42	E4005	110-034-070	OMEB36
60021	325	215	P4169	SMP474	OMEB13	E4026-S	110-A42-074	OMEB10
60022	363	239	P4205	SMP670	OMEB13	E4050	110-A42-126	110-A42-126
60023	624	380	E4005	110-110-113	N/A	E4005BS	110-034-080	-
60024	587	368	E4005-S	110-110-066	N/A	E4005-T	110-110-067	N/A
60024L	627	388	E4005-S	110-110-066	N/A	E4005-T	110-110-067	N/A
60025	587	368	E4005-S	110-110-066	N/A	E4005-BS	110-110-066	110-110-066
60025L	627	388	E4005-S	110-110-066	N/A	E4005-BS	110-110-066	N/A
60026	593	368	E4005-S	110-110-066	N/A	E4005-BS	110-110-066	110-110-066
60027	545	338	P4169	SMP474	OMEB13	E4005	110-034-070	OMEB15
60028	545	338	P4169	SMP474	OMEB13	E4005	110-034-070	OMEB15
60029 <sup>1</sup>	615	368	P4204	SMP493	N/A	E4005	110-034-069 <sup>1</sup>	OMEB40
60030 <sup>1</sup>	615	368	P4204	SMP493	N/A	E4005	110-034-069 <sup>1</sup>	OMEB40
60031	385	250	P	SMP675	OMEB13	E4026-S	110-A42-074	OMEB10
60032	597	365	E4001	*110-034-071	OMEB14	E4001	110-034-071	OMEB14
60033	581	354	P4158	SMP641	N/A	E4051-BS	110-110-076	N/A
60034	311	208	P4205	SMP474	OMEB13	E4026-S	110-A42-074	OMEB10
60035	560	345	E4001	SMP516	OMEB14	E4001	SMP511	OMEB14
60036	559	339	E4001	SMP516	OMEB14	E4001	SMP511	OMEB14
60037	553	329	P4184	SMP374	OMEB42	P4184	SMP374	OMEB42
60037L	593	349	P4184	SMP374	OMEB42	P4184	SMP374	OMEB42
60038	560	346	E4005	110-034-069 <sup>1</sup>	OMEB40	P4184	SMP683	SMP683
60039	560	346	E4005	110-034-069 <sup>1</sup>	OMEB40	P4184	SMP683	SMP683
60039L	600	366	E4005	110-034-069 <sup>1</sup>	OMEB40	P4184	SMP683	N/A
60040	345	225	P4169	SMP474	OMEB13	E4026-S	110-A42-074	OMEB10
60041	478	304	P4169	SMP474	OMEB13	E4001	110-034-077 <sup>1</sup>	OMEB17
60042	352	232	P4169	SMP474	OMEB13	E4005-S	110-034-072	OMEB17
60043	660	397	E4005	110-034-070	OMEB15	E4005	110-034-070	OMEB15
60044	640	390	E4005	110-034-070	OMEB15	E4005	110-034-070	OMEB15

Note: Bush kits with part numbers starting with SMP indicate the kits have the urethane bush, mounting nut & washers. cont.

\*Also supplied with SMP495 spacer kit

1. When remaining stock is exhausted no further product will be available.

See page 204 for legend of mount types.

# SPECIFICATIONS - SHOCK ABSORBERS

## NITROCHARGER SPORT

Part Number	Open Length (mm)	Closed Length (mm)	Type	UPPER MOUNT BUSH KIT		Type	LOWER MOUNT BUSH KIT	
				Original Kit	Bushes only Replacement		Original Kit	Bushes only Replacement
60045	642	382	E - TB	N/A	N/A	E - S	N/A	N/A
60046	565	334	P4169	SMP476	N/A	E4026-TB	110-110-088	N/A
60047	565	334	P4169	SMP476	N/A	E4026-TB	110-110-088	N/A
60047L	678	392	P4169	SMP476	N/A	E4026-TB	110-110-088	N/A
60048	559	338	E4026-TB	110-110-089	N/A	E4026-S	110-A42-102	N/A
60049	559	338	E4026-TB	110-110-089	N/A	E4026-S	110-A42-102	N/A
60049L	622	366	E4026-TB	110-110-089	N/A	E4026-S	110-A42-102	N/A
60050	659	389	E4001	110-110-071	OMEB14	E4001	110-110-071	OMEB14
60051	339	224	P4169	SMP670	OMEB13	E4026-T	110-110-078	110034078
60052	565	344	P4169	SMP476	N/A	E4026-T	110-110-088	110-110-088
60052L	678	392	P4169	SMP476	N/A	E4026-TB	110-110-088	N/A
60053	559	338	E4026-T	110-110-089	110-110-089	E4026-S	110-A42-102	OMEB10
60053L	622	366	E4026-TB	110-110-089	N/A	E4026-S	110-A42-102	OMEB10
60054	644	384	E4005	SMP517 <sup>1</sup>	OMEB36	P4169	SMP474	OMEB13
60055	496	301	P4184	SMP345	OMEB42	P4184	SMP345	OMEB42
60056	503	312	E4001	110-110-071	OMEB14	E4005-S	N/A	OMEB17
60057	559	339	E4001	SMP516	OMEB14	E4001	SMP516	OMEB14
60058	619	369	E4001	110-110-071	OMEB14	E4001	110-110-071	OMEB14
60059	523	329	E4001	110-034-071	OMEB14	E4005-S	110-034-072	OMEB17
60060	528	318	P4205	SMP474	OMEB13	E4050	SMP650 <sup>1</sup>	OMEB15
60061	485	294	P4169	SMP474	OMEB13	E4026-S	110-A42-074	OMEB10
60062	587	357	E4005	110-034-070	OMEB15	E4005	110-034-070	OMEB15
60063	588	348	P4169	SMP474	OMEB13	E4005	110-034-070	OMEB36
60064	594	360	E4005	110-034-071	OMEB14	E4005	110-034-071	OMEB14
60065	581	356	E4005	110-034-070	OMEB15	E4005	110-034-070	OMEB15
60066	580	348	P4184	SMP658	OMEB42	E	N/A	N/A
60066L	693	404	P4184	SMP658	OMEB42	E	N/A	N/A
60066M	646	382	P4184	SMP658	OMEB42	E	N/A	N/A
60067	619	368	E-TB	110-A42-126	N/A	E	110-A42-126	N/A
60067L	706	422	E-TB	110-110-105	N/A	E	110-110-105	N/A
60068	509	314	P4169	SMP474	OMEB13	E4005	110-034-070	OMEB15
60069	576	362	E4057-S	110-110-085	N/A	E4005-S	110-110-086 <sup>1</sup>	N/A
60070	617	359	P4184	SMP501	OMEB42	P4184	SMP501	OMEB42
60070L	667	381	P4184	SMP501	OMEB42	P4184	SMP501	OMEB42
60071	625	378	P4184	SMP501	OMEB42	E4005	110-034-070	OMEB36
60071L	673	387	P4184	SMP501	OMEB42	E4005	110-034-070	OMEB36
60072	383	254	P4169	SMP474	OMEB13	E4005-S	110-034-072	OMEB17
60073	549	334	P4169	SMP474	OMEB13	E4005	110-034-070	OMEB36
60074	517	333	E4005-S	110-034-072	OMEB17	E4005	110-034-070	OMEB15
60075	523	329	E4001	110-034-071	OMEB14	E4005-S	110-034-072	OMEB17
60076	523	329	E4001	110-034-071	OMEB14	E4005-S	110-034-072	OMEB17
60077	583	354	P4205	SMP474	OMEB13	E4005-S	110-034-070	OMEB15
60078	583	354	P4205	SMP474	OMEB13	E4005-S	110-034-070	OMEB15
60080	603	368	P4184	SMP569	SMP569	E4005	SMP621	OMEB40
60081	603	368	P4184	SMP569	SMP569	E4005	SMP621	OMEB40
60082	602	368	N/A	N/A	N/A	N/A	N/A	N/A
60083	602	368	N/A	N/A	N/A	N/A	N/A	N/A
60084	560	350	P	SMP705	N/A	E	110-110-126	N/A
60085 <sup>1</sup>	560	350	P	SMP705	N/A	E	110-110-126	N/A
60086	603	368	P4184	SMP569	SMP569	E4005	SMP621	OMEB40
60087	535	330	P4170	SMP312	N/A	E4026-T	SMP487	N/A
60088	580	355	E4057-S	110-110-085	N/A	E4001	110-034-020 <sup>1</sup>	OMEB10
60089	569	338	E-4032-S	110-034-070	N/A	P4169	SMP474	OMEB13
60090	508	308	E4005	110-034-070	OMEB15	P4169	SMP474	OMEB13

Note: Bush kits with part numbers starting with SMP indicate the kits have the urethane bush, mounting nut & washers. cont.

1. When remaining stock is exhausted no further product will be available.

See page 204 for legend of mount types.

# SPECIFICATIONS - SHOCK ABSORBERS

## NITROCHARGER SPORT

Part Number	Open Length (mm)	Closed Length (mm)	Type	UPPER MOUNT BUSH KIT		Type	LOWER MOUNT BUSH KIT	
				Original Kit	Bushes only Replacement		Original Kit	Bushes only Replacement
60091	599	360	P4205	SMP474	OMEB13	E4026-S	110-A42-074	N/A
60092	565	345	P14969	SMP476	OMEB13	E4026-T	110-110-038	N/A
60093	562	343	E4003	110-034-076	N/A	E4026-S	110-034-056	OMEB10
60094	469	291	P4184	SMP345	OMEB42	P4184	SMP345	OMEB42
60095	442	284	P4169	SMP474	OMEB13	E4005	110-034-070	OMEB15
60096	531	342	E4005	110-064-070	OMEB15	E4005	110-064-070	OMEB15
60097	493	315	E4001	110-034-071	OMEB14	E4001	110-034-071	OMEB14
60098	625	365	P4169	SMP476	OMEB13	E4026-S	110-A42-102	OMEB10
60099	509	329	E4001	110-034-065 <sup>1</sup>	OMEB14	E4026-S	110-A42-102	OMEB10
60100	650	385	P	SMP493	N/A	E	110-110-102 <sup>1</sup>	N/A
60101	624	380	E4005	110-110-113	N/A	E4005-BS	110-A42-126	N/A
60102	624	380	E4005	110-110-113	N/A	E4005-BS	110-A42-126	N/A
60109	685	420	E4005	110-034-070	OMEB15	E4005	110-034-070	OMEB15
60110	559	350	E4001	110-034-071	OMEB14	E4063S	110-110-100	N/A
60111	665	400	E4005	110-034-070	OMEB15	E4005	110-034-070	OMEB15
60112	580	356	P4184	SMP569	N/A	E4005	SMP621	OMEB40
60113	600	365	E	110-A42-139	N/A	P	SMP706	N/A
60114	610	365	P	SMP706	N/A	E	110-110-077	N/A
60116	555	340	E4005	110-034-071	OMEB14	E4005	110-034-071	OMEB14
60117	555	340	E4005	110-034-071	OMEB14	E4005	110-034-071	OMEB14
60121	620	370	P	SMP493	N/A	E	110-110-103	N/A
60122	785	460	E	SMP657	N/A	E	110-A42-124 <sup>1</sup>	N/A
60123	560	340	P4204	SMP493	-	E4051-S	110-110-103	110-110-103
60124	585	415	P	SMP712	N/A	CLEVIS	N/A	N/A
60125	585	415	P	SMP712	N/A	CLEVIS	N/A	N/A
60126	550	385	P	SMP725	N/A	CLEVIS	N/A	N/A
60127	550	385	P	SMP725	N/A	CLEVIS	N/A	N/A
60130	595	363	P	SMP474	N/A	E	110-110-103	N/A
60131	595	363	P	SMP474	N/A	E	110-110-103	N/A
60132	627	390		SMP649	N/A		SMP649	N/A
60133	627	390		SMP649	N/A		SMP649	N/A
60134	617	372		110-034-071	N/A		110-034-071	N/A
60135	647	392		110-034-071	N/A		110-034-071	N/A
60136	608	379		110-034-071	N/A		110-110-115	N/A
60137	608	379		110-034-071	N/A		110-110-115	N/A
60138	530	330		110-034-071	N/A		110-034-071	N/A
60139	530	330		110-034-071	N/A		110-034-071	N/A
60140	530	330		110-034-071	N/A		110-034-071	N/A
60141	583	354		SMP474	OMEB13		SMP621	OMEB40
60142	583	354		SMP474	OMEB13		SMP621	OMEB40
60144	586	352		Use OE	Use OE		110-110-128	N/A
60145	586	352		Use OE	Use OE		110-110-128	N/A
60146	530	320	P	SMP683	N/A	P	SMP683	N/A
60147	530	320	P	SMP683	N/A	P	SMP683	N/A
60148	595	375	E	110-110-092	N/A	E	110-110-092	N/A
60149	595	375	E	110-110-092	N/A	E	110-110-092	N/A
60150	685/640	445		110-110-134	N/A		110-110-133	N/A
60151	720/675	460		110-110-134	N/A		110-110-133	N/A
60152	500	365	P	SMP633	N/A	Clevis	N/A	N/A
60153	500	365	P	SMP633	N/A	Clevis	N/A	N/A
60154	440	280		SMP474	N/A		110110009	N/A
60155	515	325		110110009	N/A		110110009	N/A
60156	625	385	E	110-A42-126	N/A	E	110-A42-126	N/A
60157	625	385	E	110-A42-126	N/A	E	110-A42-126	N/A

Note: Bush kits with part numbers starting with SMP indicate the kits have the urethane bush, mounting nut & washers. cont.

1. When remaining stock is exhausted no further product will be available.

See page 204 for legend of mount types.

# SPECIFICATIONS - SHOCK ABSORBERS

## NITROCHARGER SPORT

Part Number	Open Length (mm)	Closed Length (mm)	Type	UPPER MOUNT BUSH KIT		Type	LOWER MOUNT BUSH KIT	
				Original Kit	Bushes only Replacement		Original Kit	Bushes only Replacement
60160	630	400		110-110-134	N/A		110-110-133	N/A
60161	695	445		110-110-134	N/A		110-110-133	N/A
60162	630	400		110-110-134	N/A		110-110-133	N/A
60163	695	445		110-110-134	N/A		110-110-133	N/A
60164	698	423	E	100-800-588	N/A	E	100-800-588	N/A
60165	698	423	E	100-800-588	N/A	E	100-800-588	N/A
60167	610	370		SMP495	110-034-071		N/A	110-034-071
60168	610	370		SMP495	110-034-071		N/A	110-034-071
61012	496	301	P4184	SMP345	OMEB42	P4184	SMP345	OMEB42
61014	657	403	E4005	SMP363	OMEB36	E4005	SMP363	OMEB40
61029	615	368	P4204	SMP718	N/A	E4005	110-034-069 <sup>1</sup>	OMEB40
61030	615	368	P4204	SMP718	N/A	E4005	110-034-069 <sup>1</sup>	OMEB40
90000	543	413	P	OME3133	OME3133	E4050-S	110-110-122	110-110-122
90001	404	273	P	N/A	N/A	N/A	110-110-100	110-110-100
90002	548	413	P	OME3133	OME3133	E4050-S	110-110-122	110-110-122
90003	390	287	P	SMP633	N/A	E4063-BS	110-110-100	110-110-100
90003 (02/11 on)	390	287	P	SMP633	N/A	E4063-BS	110-110-112	110-110-112
90004	473	340	P	SMP673	N/A	E4050-B	110-110-122	110-110-122
90005 <sup>1</sup>	613	432	P4214	OE	OE	E4066	110-110-110	110-110-110
90006	474	330	N/A	Use OE Bushes	N/A	E4055BS	110-110-075	N/A
90006 (10/15 on)	474	330	N/A	Use OE Bushes	N/A	E4055BS	110-110-125	N/A
90007	474	330	P	Use OE Bushes	N/A	E4055BS	110-110-125	N/A
90008	426	306	P	N/A	N/A	E4055BS	110-110-125	N/A
90009	319	207	P	Use OE Bushes	N/A	N/A	N/A	N/A
90010	543	413	P	Use OE Bushes	N/A	E4050-S	110-110-112	110-110-112
90010 (09/13 on)	543	413	P	Use OE Bushes	N/A	E4050-S	110-110-115	110-110-115
90011	548	413	P	SMP626	SMP626	E4050-S	110-110-122	110-110-122
90012	615	485	P	SMP698	N/A	N/A	N/A	N/A
90013	615	485	P	SMP698	N/A	N/A	N/A	N/A
90014	458	297	P	SMP672	OE	E	110-110-117	N/A
90015	458	297	P	SMP672	OE	E	110-110-117	N/A
90016	543	413	P	Use OE Bushes	N/A	E4050-S	110-110-112	110-110-112
90016 (09/13 on)	543	413	P	Use OE Bushes	N/A	E4050-S	110-110-112	110-110-115
90017	613	432	P4124	OE	OE	E4066	110-110-110	N/A
90018	610	455	P	SMP710	N/A	E	110-110-101	N/A
90019	505	368	P	SMP709	OE	E	N/A	110-110-129
90020	505	368	P	SMP709	OE	E	N/A	110-110-129
90021	543	413	P	SMP671	SMP671	E4050-S	110-110-122	110-110-122
90022	495	350	P	Use OE Bushes	N/A	N/A	110-110-122	N/A
90023	495	350	P	Use OE Bushes	N/A	N/A	110-110-122	N/A
90026	815	665	P	SMP719	N/A	CLEVIS	N/A	N/A
90028	560	430		N/A	N/A		110-110-115	N/A
90029	560	430		N/A	N/A		110-110-115	N/A
90031	425	305		SMP734	N/A		110-110-125	N/A
90032	392	294		USE OE	N/A		110-110-115	N/A
90033	425	305		SMP734	N/A		110-110-125	N/A
90037	500	365	P	N/A	N/A	E	110-110-130	N/A
90038	490	380	P	SMP709	Use OE	E	110-110-135	N/A
90039	490	380	P	SMP709	Use OE	E	110-110-135	N/A
90040	515	353	P	N/A	N/A	E	110-800-556	N/A
90044	539	392	P	N/A	N/A	TP	N/A	N/A
90045	500	350		N/A	N/A		110-110-122	N/A
90046	500	350		N/A	N/A		110-110-122	N/A
91005	613	432	P4124	OE	OE	E4066	110-110-110	N/A

Note: Bush kits with part numbers starting with SMP indicate the kits have the urethane bush, mounting nut & washers.

1. When remaining stock is exhausted no further product will be available.

See page 204 for legend of mount types.

# SPECIFICATIONS - SHOCK ABSORBERS

## NITROCHARGERS

Part Number Nitrocharger	Open Length (mm)	Closed Length (mm)	Type	UPPER MOUNT BUSH KIT		Type	LOWER MOUNT BUSH KIT	
				Original Kit	Bushes only Replacement		Original Kit	Bushes only Replacement
N15 <sup>1</sup> /N15C <sup>1</sup>	517	327	E4005-S	110-034-072	N/A	E4005	110-034-070	OMEB36
N16	477	352	P4184	SMP374	OMEB42	E4078-T	SMP487	110034078
N17	632	382	E4026-T	SMP488	110034078	E4026-S	110-034-074 <sup>1</sup>	N/A
N18 <sup>1</sup>	340	225	P4169	SMP474	OMEB13	E4026-S	110-A42-074	OMEB10
N19 <sup>1</sup> /N19C <sup>1</sup>	492	292	P4184	SMP345	OMEB42	P4184	SMP345	OMEB42
N21 <sup>1</sup>	492	292	P4184	SMP345	OMEB42	P4184	SMP345	OMEB42
N22F <sup>1</sup>	656	396	E4005	SMP363	OMEB36	E4005	SMP363	OMEB40
N23F <sup>1</sup>	492	292	P4184	SMP345	OMEB42	P4184	SMP345	OMEB42
N25 <sup>1</sup>	642	377	E4005	SMP517 <sup>1</sup>	OMEB36	P4169	SMP474	OMEB13
N26F <sup>1</sup>	381	245	P4169	SMP474	OMEB13	E4026-S	N/A	OMEB10
N27 <sup>1</sup>	560	340	E4005	110-034-069 <sup>1</sup>	OMEB40	P4184	SMP683	SMP683
N28 <sup>1</sup>	504	309	P4169	SMP474	OMEB13	E4005	SMP343 <sup>1</sup>	OMEB36
N29 <sup>1</sup> /N29C <sup>1</sup>	656	396	E4005	SMP363	OMEB36	E4005	SMP363	OMEB40
N30 <sup>1</sup>	618	368	E4001	110-034-065 <sup>1</sup>	OMEB14	E4001	110-034-065 <sup>1</sup>	OMEB14
N30E <sup>1</sup>	659	389	E4001	*110-034-065 <sup>1</sup>	OMEB14	E4001	110-034-065 <sup>1</sup>	OMEB14
N31S <sup>1</sup>	501	318	N/A	N/A	N/A	N/A	N/A	N/A
N32	500	315	P4169	SMP474	OMEB13	E4026-S	N/A	OMEB10
N33	625	365	P4169	SMP476	OMEB13	E4026-S	110-034-056	OMEB10
N34 <sup>1</sup>	509	329	E4001	110-034-065 <sup>1</sup>	OMEB14	E4026-S	110-034-056	OMEB10
N35 <sup>1</sup> /N35C <sup>1</sup>	568	348	P4169	SMP476	N/A	E4026-T	110-110-088	110-110-088
N36 <sup>1</sup> /N36C <sup>1</sup>	562	342	E4026-T	110-110-089	110-110-089	E4026-S	110-034-056	OMEB10
N37	591	366	E4040-S	110-110-054 <sup>1</sup>	N/A	E4040-S	110-110-054 <sup>1</sup>	N/A
N38S	473	339	P	N/A	N/A	E-B	N/A	N/A
N39 <sup>1</sup> /N39C <sup>1</sup>	562	342	P4169	SMP476	SMP476	E4026-T	110-110-088	110-110-088
N40 <sup>1</sup> /N40C <sup>1</sup>	556	336	E4003	110-034-076	N/A	E4026-S	110-034-056	OMEB10
N41 <sup>1</sup>	499	309	E4001	110-034-065 <sup>1</sup>	OMEB14	E4001	110-034-065 <sup>1</sup>	OMEB14
N42 <sup>1</sup>	594	359	E4001	110-034-065 <sup>1</sup>	OMEB14	E4001	110-034-065 <sup>1</sup>	OMEB14
N43	485	295	P4169	SMP474	OMEB13	E4001	110-034-065 <sup>1</sup>	OMEB14
N44 <sup>1</sup>	560	340	E4005	110-034-069 <sup>1</sup>	OMEB40	P4184	SMP683	SMP683
N45F <sup>1</sup>	554	324	P4184	SMP343 <sup>1</sup>	OMEB42	P4184	SMP343 <sup>1</sup>	OMEB42
N46 <sup>1</sup>	560	340	E4005	110-034-069 <sup>1</sup>	OMEB40	P4184	SMP683	SMP683
N47	406	251	P4169	SMP474	OMEB13	P4169	SMP474	OMEB13
N48	560	335	E4001	110-034-065 <sup>1</sup>	OMEB14	P4169	SMP474	OMEB13
N49	446	271	P4169	SMP474	OMEB13	P4169	SMP474	OMEB13
N50	584	349	P4169	SMP474	OMEB13	E4005	110-034-070	OMEB36
N51 <sup>1</sup>	365	235	P4169	SMP474	OMEB13	E4026-BS	110-034-181	110-034-181
N52 <sup>1</sup> /N52F <sup>1</sup>	425	265	P4161	SMP334 <sup>1</sup>	N/A	E4026-S	110-A42-071 <sup>1</sup>	OMEB10
N53 <sup>1</sup> /N53C <sup>1</sup>	628	378	E4040-B	110-004-040 <sup>1</sup>	N/A	E4026-S	110-034-181	110-034-181
N54 <sup>1</sup>	554	339	E4001	*110-034-065 <sup>1</sup>	OMEB14	E4001	110-034-065 <sup>1</sup>	OMEB14
N55 <sup>1</sup>	585	345	P4161	SMP334 <sup>1</sup>	N/A	E4026-S	110-A42-071 <sup>1</sup>	OMEB10
N56 <sup>1</sup>	554	339	E4001	*SMP516	OMEB14	E4001	SMP516	OMEB14
N57G <sup>1</sup>	340	225	P4169	SMP474	OMEB13	E4026-S	N/A	OMEB10
N58 <sup>1</sup>	325	215	P4169	SMP474	OMEB13	E4026-S	N/A	OMEB10
N59 <sup>1</sup>	559	339	E4001	*SMP516	OMEB14	E4001	SMP516	OMEB14
N60G <sup>1</sup>	340	225	P4169	SMP474	OMEB13	E4026-T	110-110-078	110034078
N61/N61C <sup>1</sup>	607	367	E4005-S	SMP363	OMEB17	E4026-S	110-034-056	OMEB10
N62G <sup>1</sup>	507	317	E4001	110-034-065 <sup>1</sup>	OMEB14	E4005-S	110-034-077 <sup>1</sup>	OMEB17
N63G <sup>1</sup>	478	299	P4169	SMP474	OMEB13	E4005-S	110-034-077 <sup>1</sup>	OMEB17
N64 <sup>1</sup> /N64C <sup>1</sup>	478	299	P4169	SMP474	OMEB13	E4005-S	110-034-077 <sup>1</sup>	OMEB17
N65 <sup>1</sup>	385	245	P4169	SMP474	OMEB13	E4026-S	110-A42-074	OMEB10
N66 <sup>1</sup> /N66C <sup>1</sup>	568	335	P4169	SMP476	N/A	E4026-TB	110-110-088	N/A
N67 <sup>1</sup>	562	339	E4026-TB	110-110-089	N/A	E4026-S	110-034-056	OMEB10
N68 <sup>1</sup>	640	384	E4005	110-034-070	OMEB15	E4005	110-034-070	OMEB15

**Note:** Bush kits with part numbers starting with SMP indicate the kits have the urethane bush, mounting nut & washers. cont.

\*Spacer Kit SMP511 also supplied.

1. When remaining stock is exhausted no further product will be available.

See page 204 for legend of mount types.

# SPECIFICATIONS - SHOCK ABSORBERS

## NITROCHARGERS

Part Number Nitrocharger	Open Length (mm)	Closed Length (mm)	Type	UPPER MOUNT BUSH KIT		Type	LOWER MOUNT BUSH KIT	
				Original Kit	Bushes only Replacement		Original Kit	Bushes only Replacement
N68E <sup>1</sup>	660	394	E4005	110-034-070	OMEB15	E4005	110-034-070	OMEB15
N69	470	290	E4005	110-034-070	OMEB36	P4184	SMP343 <sup>1</sup>	OMEB42
N70 <sup>1</sup>	614	354	P4184	SMP403 <sup>1</sup>	OMEB42	P4184	SMP403 <sup>1</sup>	OMEB42
N71E <sup>1</sup>	620	370	P4184	SMP403 <sup>1</sup>	OMEB42	E4005	110-034-070	OMEB36
N72F <sup>1</sup>	548	329	P4169	SMP474	OMEB13	E4005	110-034-070	OMEB36
N73 <sup>1</sup>	614	354	P4184	SMP501	OMEB42	P4184	SMP501	OMEB42
N74E <sup>1</sup>	620	370	P4184	SMP501	OMEB42	E4005	110-034-070	OMEB36
N75 <sup>1</sup>	640	390	E4005	110-034-070	OMEB15	E4005	110-034-070	OMEB15
N75E <sup>1</sup> /N75F <sup>1</sup>	652	397	E4005	110-034-070	OMEB15	E4005	110-034-070	OMEB15
N76	685	408	E4005	110-034-070	OMEB15	E4005	110-034-070	OMEB15
N77 <sup>1</sup>	570	340	E4032-S	110-110-077	N/A	P4169	SMP474	OMEB13
N78	447	287	E4005	110-034-070	OMEB15	E4005	110-034-070	OMEB15
N79 <sup>1</sup>	507	307	E4005	110-034-070	OMEB36	P4169	SMP474	OMEB13
N80 <sup>1</sup>	352	232	P4169	SMP474	OMEB13	E4005-S	110-034-072	OMEB17
N81	499	309	E4001	110-034-065 <sup>1</sup>	OMEB14	E4001	110-034-065 <sup>1</sup>	OMEB14
N83 <sup>1</sup>	345	225	P4169	SMP474	OMEB13	E4026-S	SMP381	OMEB10
N84 <sup>1</sup>	485	295	P4169	SMP474	OMEB13	E4026-S	N/A	OMEB10
N85 <sup>1</sup>	587	357	E4005	110-034-070	OMEB15	E4005	110-034-070	OMEB15
N86 <sup>1</sup> /N86C <sup>1</sup>	539	329	P4169	SMP474	OMEB13	E4005	110-034-070	OMEB15
N87 <sup>1</sup>	352	232	P4169	SMP474	OMEB13	E4005-S	110-034-072	OMEB17
N88 <sup>1</sup>	589	349	P4169	SMP474	OMEB13	E4005	110-034-070	OMEB36
N89 <sup>1</sup>	594	359	E4001	**110-034-065 <sup>1</sup>	OMEB14	E4001	110-034-065 <sup>1</sup>	OMEB14
N90 <sup>1</sup>	582	357	E4005	110-034-070	OMEB15	E4005	110-034-070	OMEB15
N91S <sup>1</sup>	470	335	P-	SMP415	N/A	E4050-B	110-110-122	110-110-122
N91SC <sup>1</sup>	470	335	P-	SMP415	N/A	E4050-B	110-110-122	110-110-122
N92 <sup>1</sup>	589	349	P4169	SMP474	OMEB13	E4005	110-034-070	OMEB36
N93 <sup>1</sup>	485	295	P4169	SMP474	OMEB13	E4026-S	N/A	OMEB10
N94 <sup>1</sup>	587	357	E4005	110-034-070	OMEB15	E4005	110-034-070	OMEB15
N95 <sup>1</sup>	599	359	E4001	**110-034-065 <sup>1</sup>	OMEB14	E4001	110-034-065 <sup>1</sup>	OMEB14
N96	431	261	P4169	SMP474	OMEB13	P4169	SMP474	OMEB13
N97	545	325	E4001	110-034-065 <sup>1</sup>	OMEB14	P4169	SMP474	OMEB13
N98 <sup>1</sup>	389	249	P4169	SMP474	OMEB13	E4005-S	110-034-072	OMEB17
N100 <sup>1</sup>	440	290	P4203	SMP493	N/A	E4050-BS	110-110-122	110-110-122
N101 <sup>1</sup> /N101C <sup>1</sup>	610	360	P4204	SMP493	SMP493	E4005	110-034-069 <sup>1</sup>	OMEB40
N102	482	302	P4169	SMP474	OMEB13	E4050-BS	110-110-122	N/A
N103S	504	318	P-	N/A	N/A	N/A	N/A	N/A
N104/N104C <sup>1</sup>	641	391	E4040-S	110-110-054 <sup>1</sup>	N/A	E4055-S	110-110-069 <sup>1</sup>	N/A
N105	508	318	P4169	SMP474	OMEB13	E4026-S	110-004-074 <sup>1</sup>	OMEB10
N106 <sup>1</sup> /N106C <sup>1</sup>	537	317	P4184	SMP501	OMEB42	P4184	SMP501	OMEB42
N107 <sup>1</sup> /N107C <sup>1</sup>	608	373	E4005-S	110-110-066	N/A	E4005-T	110-110-067	N/A
N108 <sup>1</sup> /N108C <sup>1</sup>	593	363	E4005-S	110-110-066	N/A	E4005-BS	110-110-066	110-110-066
N109S <sup>1</sup>	472	327	N/A	Use OE Bushes	N/A	E4055BS	110-110-075	N/A
N110 <sup>1</sup>	575	350	P4158	SMP641	N/A	E4040-BS	110-110-076	N/A
N111 <sup>1</sup>	548	328	P4170	SMP312	N/A	E4026-S	SMP487	N/A
N112 <sup>1</sup>	449	279	P4169	SMP474	OMEB13	E4005	110-034-070	OMEB15
N113 <sup>1</sup>	537	337	E4005	110-034-070	OMEB15	E4005	110-034-070	OMEB15
N114 <sup>1</sup>	475	285	P4184	SMP345	OMEB42	P4184	SMP345	OMEB42
N115 <sup>1</sup>	554	324	P4184	SMP374	OMEB42	P4184	SMP374	OMEB42
N116 <sup>1</sup>	527	327	E4001	110-034-065 <sup>1</sup>	OMEB14	E4005-S	110-034-072	OMEB17
N117 <sup>1</sup>	578	358	E4057-S	110-110-085	N/A	E4001-T	110-034-020 <sup>1</sup>	OMEB10
N118	532	322	P4169	SMP474	OMEB13	E4005	110-034-080	OMEB11
N119S <sup>1</sup>	596	395	N/A	SMP483 <sup>1</sup>	SMP483 <sup>1</sup>	N/A	N/A	N/A
NC120 <sup>1</sup>	609	402	N/A	110-039-058 <sup>1</sup>	110039058 <sup>1</sup>	N/A	N/A	N/A

Note: Bush kits with part numbers starting with SMP indicate the kits have the urethane bush, mounting nut & washers. cont.

\*\* Spacer Kit SMP495 supplied

1. When remaining stock is exhausted no further product will be available.

See page 204 for legend of mount types.



# SPECIFICATIONS - SHOCK ABSORBERS

## NITROCHARGERS

Part Number Nitrocharger	Open Length (mm)	Closed Length (mm)	Type	UPPER MOUNT BUSH KIT		Type	LOWER MOUNT BUSH KIT	
				Original Kit	Bushes only Replacement		Original Kit	Bushes only Replacement
N121S <sup>1</sup>	576	389	N/A	SMP483 <sup>1</sup>	SMP483 <sup>1</sup>	N/A	N/A	N/A
NC122 <sup>1</sup>	589	402	N/A	110-039-058 <sup>1</sup>	110039058 <sup>1</sup>	N/A	N/A	N/A
N123S <sup>1</sup>	596	395	N/A	SMP483 <sup>1</sup>	SMP483 <sup>1</sup>	N/A	N/A	N/A
N124S <sup>1</sup>	576	389	N/A	SMP483 <sup>1</sup>	SMP483 <sup>1</sup>	N/A	N/A	N/A
N125S <sup>1</sup>	411	289	P	SMP363	SMP363	N/A	N/A	N/A
N126S <sup>1</sup>	411	289	P	SMP363	SMP363	N/A	N/A	N/A
N127S <sup>1</sup>	601	385	P	SMP354 <sup>1</sup>	SMP354 <sup>1</sup>	E-BS	N/A	N/A
N128 <sup>1</sup>	358	238	P4205	SMP474	OMEB13	E4026-T	SMP489 <sup>1</sup>	N/A
N129S <sup>1</sup>	472	327	P	Use OE Bushes	N/A	E4055-BS	110-110-075	110-110-075
N129S <sup>1</sup> (10/15 on)	472	327	P	Use OE Bushes	N/A	E4055-BS	110-110-125	110-110-125
NS130 <sup>1</sup>	333	201	P	SMP725	SMP725	N/A	N/A	N/A
NS131 <sup>1</sup>	333	201	P	SMP725	SMP725	N/A	N/A	N/A
N132 <sup>1</sup>	573	359	E4057-S	110-110-085	N/A	E4005-S	110-110-086 <sup>1</sup>	N/A
N133 <sup>1</sup>	443	287	P4203	SMP493	SMP493	E4050-BS	110-110-122	110-110-122
N134 <sup>1</sup>	559	349	E4057-S	110-110-085	N/A	E4005-S	110-110-086 <sup>1</sup>	N/A
N135S <sup>1</sup> /N136S <sup>1</sup>	602	393	P	SMP483 <sup>1</sup>	SMP483 <sup>1</sup>	N/A	N/A	N/A
NC138 <sup>1</sup>	609	400	P	SMP546 <sup>1</sup>	N/A	-	-	-
N139S <sup>1</sup>	543	405	P	SMP633/626	N/A	E4050-S	110-110-122	110-110-122
N140S <sup>1</sup>	543	405	P	SMP633/626	N/A	E4050-S	110-110-122	110-110-122
N141 <sup>1</sup>	577	353	P4184	SMP569	N/A	E4005	SMP621	OMEB40
N142 <sup>1</sup>	577	353	P4184	SMP569	N/A	E4005	SMP621	OMEB40
N143S <sup>1</sup>	590	408	P	-	N/A	-	-	N/A
N144S <sup>1</sup>	590	408	P	-	N/A	-	-	N/A
N145S <sup>1</sup>	593	405	N/A	SMP622	N/A	N/A	N/A	N/A
NC145 <sup>1</sup>	651	439	P	SMP625 <sup>1</sup>	N/A	-	-	N/A
N146 <sup>1</sup>	655	379	P	SMP641	N/A	E4055-BS	110-110-093 <sup>1</sup>	N/A
N146S <sup>1</sup>	593	405	N/A	SMP622	N/A	N/A	N/A	N/A
N147S	476	362	P	SMP640	N/A	E4050-S	110-110-122	110-110-122
N148S	476	362	P	SMP640	N/A	E4050-S	110-110-122	110-110-122
N149	504	313	E4051-BS	110-110-092 <sup>1</sup>	N/A	E4051-BS	110-110-092 <sup>1</sup>	N/A
N150 <sup>1</sup>	388	242	P4205	SMP474	OMEB13	E4026-S	110-A42-074	OMEB10
N151 <sup>1</sup>	308	202	P4205	SMP474	OMEB13	E4026-S	110-A42-074	OMEB10
N152 <sup>1</sup>	576	345	P4158	SMP641	N/A	E4051-BS	110-110-076	N/A
N153 <sup>1</sup>	528	312	P4205	SMP474	OMEB13	E4026-S	110-034-074 <sup>1</sup>	OMEB10
N154 <sup>1</sup>	562	336	E4001	110-034-065 <sup>1</sup>	OMEB14	E4001	110-034-065 <sup>1</sup>	OMEB14
N155 <sup>1</sup>	568	332	P4205	SMP474	OMEB13	E4001	110-034-065 <sup>1</sup>	OMEB14
N156S <sup>1</sup>	365	530	-	Nut only	OEM	N/A	OEM	OEM
N157S <sup>1</sup>	365	530	-	Nut only	OEM	N/A	OEM	OEM
N158S <sup>1</sup>	405	610	-	Nut only	OEM	N/A	OEM	OEM
N159S <sup>1</sup>	405	610	-	Nut only	OEM	N/A	OEM	OEM
NC160 <sup>1</sup>	601	403	P	SMP546 <sup>1</sup>	SMP546 <sup>1</sup>	N/A	N/A	N/A
NC161 <sup>1</sup>	572	386	P	SMP625 <sup>1</sup> & 633	SMP625 <sup>1</sup> & 633	N/A	N/A	N/A
N162 <sup>1</sup>	348	222	P4205	SMP474	OMEB13	E4026-S	110-A42-074	OMEB10
NC163 <sup>1</sup>	617	386	P	SMP625 <sup>1</sup> & 633	SMP625 <sup>1</sup> & 633	N/A	N/A	N/A
N164 <sup>1</sup>	527	317	P4184	SMP501	OMEB42	P4184	SMP501	OMEB42
N165 <sup>1</sup>	657	397	E4005	110-034-070	OMEB15	E4005	110-034-070	OMEB15
N166S <sup>1</sup>	543	411	P	SMP633 & 626	SMP633 & 626	E4050-S	110-110-122	110-110-122
N167S <sup>1</sup>	543	411	P	SMP633 & 626	SMP633 & 626	E4050-S	110-110-122	110-110-122
N168 <sup>1</sup>	600	370	E4005	SMP649	SMP649	E4005	SMP649	SMP649
N169 <sup>1</sup>	600	370	E4005	SMP649	SMP649	E4005	SMP649	SMP649
N170 <sup>1</sup>	348	322	P4205	SMP474	OMEB13	E4026-S	110-A42-074	OMEB10
N171 <sup>1</sup>	532	316	P4205	SMP474	OMEB13	E4005	SMP650 <sup>1</sup>	OMEB15
N172 <sup>1</sup>	532	316	P4205	SMP474	OMEB13	E4005	SMP650 <sup>1</sup>	OMEB15
N173S <sup>1</sup>	481	301	P	N/A	N/A	-	N/A	N/A

Note: Bush kits with part numbers starting with SMP indicate the kits have the urethane bush, mounting nut & washers. cont.

1. When remaining stock is exhausted no further product will be available.

See page 204 for legend of mount types.

# SPECIFICATIONS - SHOCK ABSORBERS

## NITROCHARGERS

Part Number Nitrocharger	Open Length (mm)	Closed Length (mm)	Type	UPPER MOUNT BUSH KIT		Type	LOWER MOUNT BUSH KIT	
				Original Kit	Bushes only Replacement		Original Kit	Bushes only Replacement
N174 <sup>1</sup>	597	341	P4180	SMP343 <sup>1</sup>	SMP343 <sup>1</sup>	P4180	SMP343 <sup>1</sup>	SMP343 <sup>1</sup>
N175 <sup>1</sup>	603	363	E4005	110-034-063 <sup>1</sup>	OMEB36	P4180	SMP343 <sup>1</sup>	SMP343 <sup>1</sup>
N176	535	319	E4055-S	110-110-066	N/A	P4180	SMP343 <sup>1</sup>	SMP343 <sup>1</sup>
N177	485	299	E4055-S	110-110-066	N/A	P4180	SMP343 <sup>1</sup>	SMP343 <sup>1</sup>
N178	600	364	E4005	110-034-082	110-034-082	E4005-S	110-A42-124 <sup>1</sup>	OMEB11
N179	790	456	E4005	110-034-083 <sup>1</sup>	110-034-083 <sup>1</sup>	E4005-S	110-A42-124 <sup>1</sup>	OMEB11
N180	690	406	E4005	110-034-082	110-034-082	E4005-S	110-A42-124 <sup>1</sup>	OMEB11
N181 <sup>1</sup>	537	317	P4184	SMP501	OMEB42	P4184	SMP501	OMEB42
N182 <sup>1</sup>	608	352	P4205	SMP474	OMEB13	E4026-S	110-A42-074	N/A
N183S <sup>1</sup>	390	281	P-	SMP633	N/A	E4063-BS	110-110-100	N/A
N183S <sup>1</sup> (02/11 on)	390	281	P-	SMP633	N/A	E4063-BS	110-110-112	N/A
N184 <sup>1</sup>	379	255	E4051-S	110-110-076	N/A	E4051-S	110-110-076	N/A
N185 <sup>1</sup>	567	341	E4001	110-043-065 <sup>1</sup>	OMEB14	E4063-S	110-110-100	N/A
N186S <sup>1</sup>	426	298	P-	N/A	N/A	E4055-BS	110-110-075	N/A
N187 <sup>1</sup>	360	240	P4205	SMP475 <sup>1</sup>	OMEB13	E4050	TBA	110-034-181
N188S	-	-	-	-	-	-	-	-
N189 <sup>1</sup>	600	360	E4005	110-034-070	OMEB15	E4005BS	110-034-080	-
N190	658	394	E4057-S	110-110-085	N/A	E4005-S	110-110-086 <sup>1</sup>	-
N191 <sup>1</sup>	589	349	P4205	SMP474	OMEB13	E4005-S	110-034-070	OMEB15
N192S	589	424	P-	SMP659 <sup>1</sup>	SMP659 <sup>1</sup>	E4055-BS	110-110-101	-
N193	661	391	P4203	SMP493	-	E4040-BS	110-110-102 <sup>1</sup>	N/A
N194 <sup>1</sup>	360	240	P4205	SMP475 <sup>1</sup>	OMEB13	E4050	TBA	110-034-181
N195	560	340	P4204	SMP493	-	E4051-S	110-110-103	-
N196 <sup>1</sup>	576	348	P4184	SMP374	OMEB42	E-TBA	TBA	TBA
N197 <sup>1</sup>	652	397	E4005	110-034-070	OMEB15	E-4005	110-034-070	OMEB15
N198 <sup>1</sup>	615	375	E-TBA	TBA	TBA	E-TBA	TBA	TBA
N199 <sup>1</sup>	440	290	P4203	SMP493	SMP493	E4050-BS	110-110-122	110-110-122
N200 <sup>1</sup>	610	360	P4204	SMP493	SMP493	E4005	110-034-069 <sup>1</sup>	OMEB40
N201S <sup>1</sup>	543	405	P-	SMP633/626	SMP633/626	E4050-S	110-110-122	110-110-122
N202 <sup>1</sup>	577	353	P4184	SMP569	SMP569	E4005	SMP621	OMEB40
N203S <sup>1</sup>	472	327	P	Use OE Bushes	N/A	E4055-BS	110-110-075	110-110-075
N204 <sup>1</sup>	576	345	P4158	SMP641	N/A	E4051-BS	110-110-076	N/A
N205	507	312	P4213	SMP665 <sup>1</sup>	N/A	E4051-BS	110-110-092 <sup>1</sup>	N/A
N206S <sup>1</sup>	602	399	P-	Nut only	N/A	N/A	N/A	N/A
N207S <sup>1</sup>	602	399	P-	Nut only	N/A	N/A	N/A	N/A
N208S <sup>1</sup>	608	433	P4214	Use OE Bushes	Use OE Bushes	E4066	N/A	110-110-110
N209 <sup>1</sup>	610	360	P4204	SMP493	N/A	E4005	110-034-063 <sup>1</sup>	OMEB40
N210 <sup>1</sup>	610	360	P4204	SMP493	N/A	E4005	110-034-063 <sup>1</sup>	OMEB40
N211 <sup>1</sup>	576	348	P4184	SMP374	OMEB42	E4026	110-034-181	110-034-181
N212 <sup>1</sup>	618	375	E4053	110-110-105 <sup>1</sup>	N/A	E4026	110-034-181	110-034-181
N217S	610	395	P-	N/A	N/A	N/A	N/A	N/A
N218S	610	395	P-	N/A	N/A	N/A	N/A	N/A
N219S	516	357	P	Use OE Bushes	N/A	OEM	OEM	N/A
N220	658	394	E4057-S	110-110-085	N/A	E-4005-S	110-110-086 <sup>1</sup>	N/A
OME007 <sup>1</sup>	600	359	E4004	110-034-003 <sup>1</sup>	N/A	E4003	110-034-003 <sup>1</sup>	N/A
OME013	473	292	E4001	110-034-071	OMEB14	E4001	110-034-071	OMEB14
OME014 <sup>1</sup>	495	305	E4001	110-034-071	OMEB14	E4001	110-034-071	OMEB14
OME015 <sup>1</sup>	415	256	P4175	SMP333 <sup>1</sup>	OMEB13	E4001	110-034-071	OMEB14
OME018 <sup>1</sup>	585	359	E4003	110-034-003 <sup>1</sup>	N/A	E4003	110-034-003 <sup>1</sup>	N/A
OME023 <sup>1</sup>	429	270	E4001	110-034-071	OMEB14	E4001	110-034-071	OMEB14
OME025	415	256	P4175	SMP333 <sup>1</sup>	OMEB13	E4001	110-034-071	OMEB14
OME027 <sup>1</sup>	497	297	P4175	SMP333 <sup>1</sup>	OMEB13	E4001	110-034-071	OMEB14
OME028	450	281	P4169	SMP474	OMEB13	E4028-S	110110009	N/A
OME029	502	314	E4028-S	110110009	N/A	E4028-S	110110009	N/A

Note: Bush kits with part numbers starting with SMP indicate the kits have the urethane bush, mounting nut & washers. cont.

1. When remaining stock is exhausted no further product will be available.

See page 204 for legend of mount types.

# SPECIFICATIONS - SHOCK ABSORBERS

## NITROCHARGERS

Part Number Nitrocharger	Open Length (mm)	Closed Length (mm)	Type	UPPER MOUNT BUSH KIT		Type	LOWER MOUNT BUSH KIT	
				Original Kit	Bushes only Replacement		Original Kit	Bushes only Replacement
OME030 <sup>1</sup>	470	302	E4028-S	110110009	N/A	E4028-S	110110009	N/A
OME031	627	379	P4175	SMP333 <sup>1</sup>	OMEB13	E4001	110-034-071	OMEB14
OME032 <sup>1</sup>	608	369	P4175	SMP333 <sup>1</sup>	OMEB13	E4001	110-034-071	OMEB14
OME033 <sup>1</sup>	615	382	P-	SMP636	OMEB13	E4005-S	110-034-072	OMEB17
OME034	481	284	P4175	SMP333 <sup>1</sup>	OMEB13	E4001	110-034-071	OMEB14
OME035	495	299	E4001	110-034-071	OMEB14	E4001	110-034-071	OMEB14
OME036	560	335	E	6082183 <sup>1</sup>	N/A	E	6082183 <sup>1</sup>	N/A

**Note:** Bush kits with part numbers starting with SMP indicate the kits have the urethane bush, mounting nut & washers.

1. When remaining stock is exhausted no further product will be available.

See page 204 for legend of mount types.

# SPECIFICATIONS - SHOCK ABSORBERS

## SHOCK ABSORBER MOUNT TYPES

Mount Type Pin Part No.	Dimensions (mm) Thread Length X Dia	OME Replacement Part No.
P4161	62 x M10 x 1.5	OMEB13
P4169	53 x M10 x 1.25	OMEB13
P4170	73 x M10 x 1.5	OMEB13
P4175	58 x M10 x 1.5	OMEB13
P4184	71 x M12 x 1.25	OMEB42
P4203	85 x M14 x 1.5	Use original
P4204	77 x M14 x 1.5	Use original
P4205	54 x M10 x 1.25	OMEB13

Mount Type Eye Part No.	Dimensions (mm) OD x ID x L	Mounting Kit Replacement Part No.
E4001	37 x 25.3 x 24.3	OMEB14
E4003	42.6 x 37.7 x 19.5	Not available
E4005	44.2 x 31.7 x 30	OMEB36 *OMEB40
E4026	37 x 27 x 25	OMEB10
E4028	38.4 x 25.1 x 23	Not available
E4032	46.7 x 36.6 x 33	Not available
E4040	46 x 37 x 30	Not available
E4050	45 x 39 x 35	Not available
E4055	50 x 40.2 x 34	Not available
E4057	42 x 32.5 x 29	Not available

T-CROSS PIN MOUNTING

S-BUSH WITH SLEEVE

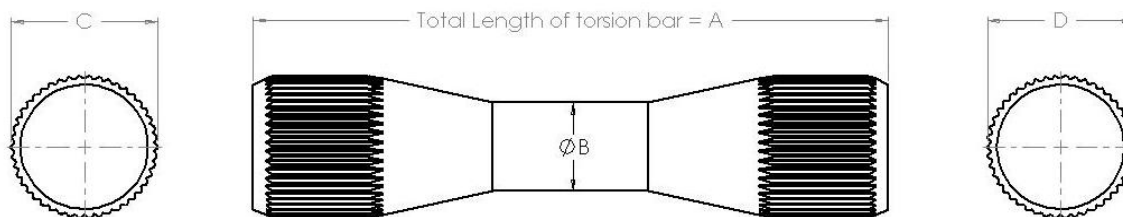
B-BONDED BUSH

\*Special Bush for N22F<sup>1</sup>, N29<sup>1</sup>/N29C<sup>1</sup> Lower Rear Mount

1. When remaining stock is exhausted no further product will be available.

# SPECIFICATIONS - TORSION BARS

## TORSION BARS



Part Number	A ± 2.0	B ± 0.15	C +0 -0.2	C Spline No.	D +0 -0.2	D Spline No.
303001	1160	30.4	47.0	46	47.0	46
303002	1210	32.8	47.0	46	47.0	46
303003	1065	23.4	33.0	43	30.75	40
303004	1000	24.5	33.0	43	33.0	43
303005	925	25.7	30.75	40	30.75	40
303006	1365	27.5	30.0	39	30.75	40
303007	890	26.7	30.0	39	30.0	39
303008	1205	26.0	30.0	39	30.0	39
303009	1277.5	25.5	30.0	39	30.75	40
303010	1277.5	27.3	30.0	39	30.75	40
303011	1307.5	27.5	30.0	39	30.75	40
303012	1142	26.0	36.0	47	36.0	47
303013	1024	27.0	30.75	40	30.75	40
303014	1225	30.3	37.85	6 side hex	37.85	6 side hex

All dimensions in millimetres (mm)

# SPECIFICATIONS - STABILISERS

## STEERING STABILISERS

Part Number	Upper Mount Type (mm)	Lower Mount Type (mm)	Open Length (mm)	Closed Length (mm)	Mounting Kit No.	No. of Kits	OME Bush Kit
OMESD01	Eye with Bush	Eye with Bush	552	342	142995	1	
OMESD02	Eye with Bush & Sleeve	Eye with Bush & Sleeve	655	394	No Kit		
OMESD11	Pin 60 x 9.5	Pin 60 x 9.5	516	308	140276	1	
OMESD16 <sup>1</sup>	Pin 60 x 9.5	Pin 60 x 9.5	535	314	140276	1	
OMESD17 <sup>1</sup>	Eye with Bush	Eye with Bush	622	373	142387	1	
OMESD21	Pin 60 x 9.5	Eye with Bush	542	340	140504	1	
OMESD22	Eye with Bush	Eye with Bush	537	328	No Kit		OMEB14
OMESD23	Eye with Bush	Eye with Bush	454	316	142995	1	
OMESD24	Eye with Bush	Eye with Bush	651	417	142995	1	
OMESD30	Eye with Bush & Sleeve	Eye with Bush & Sleeve	448	290	No Kit		
OMESD31 <sup>1</sup>	Eye with Bush & Sleeve	Eye with Bush & Sleeve	577	392	No Kit		
OMESD32	Pin 60 x 9.5	Eye with Bush & Sleeve	680	440	500555	1	
OMESD33	Eye with Bush & Mounting Pin	Eye with Bush	611	364	140953	1	
OMESD34	Eye with Bush & Sleeve	Eye with Bush	575	347	No Kit		
OMESD35 <sup>1</sup>	Eye with Bush & Sleeve	Eye with Bush & Sleeve	503	311	No Kit		
OMESD36	Pin 60 x 9.5	Pin 60 x 9.5	484	289	140276	1	
OMESD40	Eye with Bush	Eye with Bush & Sleeve	499	309	500498	1	
OMESD47	Eye with Bush	Eye with Bush	750	510	142995	1	
OMESD48	Eye with Bush	Eye with Bush & Sleeve	499	310	500498	1	142864 (Boot)

1. When remaining stock is exhausted no further product will be available.

# RECOMMENDED FITTING TIMES

## COIL SPRINGS SYSTEMS

All Coil Spring Models (Except Land Rovers) Fitment of 4 Shock Absorbers & 4 OME coil springs	2.0 hours
Land Rover All Coil Spring Models Fitment of all the above plus additional time to remove front shock absorber towers	3.0 hours
Torsion Bar Front with Rear Coil Suspension Fitment of 4 Shock Absorbers, 2 OME coil springs & front torsion bar adjustment	2.0 hours
Coil Front with Rear Leaf Suspension Fitment of 4 Shock Absorbers, 2 OME coil springs & 2 OME Leaf springs	3.5 hours
Coil Over Front Strut with Rear Coil Suspension Fitment of 2 Shock Absorbers, 2 OME struts & 4 OME coil springs	3.0 hours
Coil over Front Strut with Leaf Rear Springs Fitment of 2 Shock Absorbers, 2 Struts, 2 Coils & 2 Leaf Springs	4.0 hours

## LEAF SPRING SYSTEMS

All Leaf spring Models (Except HiLux) Fitment of 4 Shock Absorbers, 4 OME Leaf Springs, and U bolts and spring bushes as required	5.0 hours
Toyota HiLux All Leaf Spring Models Fitment of all the above plus additional work required to strengthen front spring seat mount	6.0 hours
Front Torsion Bar with Rear Leaf Spring Models Fitment of 4 Shock Absorbers, 2 OME rear leaf springs, U bolts, spring bushes and front torsion bar adjustment	3.0 hours

## CARTRIDGE REPLACEMENT

Additional work required to install cartridge per strut	0.5 hours
---	-----------

## TORSION BARS

Remove and replace a set of Bars (no removal complications)	1.5 hours
Remove and replace a set of Bars (removal complications eg. OE splines corroded)	2.5 hours

## MISCELLANEOUS

Caster kits	2.0 hours
Steering stabilisers	0.5 hours
Greasable shackles per set of springs	1.0 hours
Greasable pin per set of springs	0.5 hours

## FRONT END WHEEL ALIGNMENT ADJUSTMENTS

	Price
Live axle front end	
Independent front end	
Independent rear end	

The above fitting times are only a guide, and additional time may be involved due to vehicle modifications or pre-existing accessories which can interfere with the fitment of the suspension.

# FIT TIMES BY VEHICLE

Make	Model	Springs, shocks/ struts & shackles/ pins/fit kits	Bp Fit Kit	Caster Kit	Steering Stabiliser	\$ Wheel Alignment	Comments
Chrysler	Grand Cherokee WK2	3.0 hrs					
	Grand Cherokee WH & WK	3.0 hrs					
	Grand Cherokee WJ & WG	3.0 hrs					Add 1 hr if fitting OMESTAB1
	Grand Cherokee ZJ	3.0 hrs			0.5 hr		
	Commander XK	3.0 hrs					
	Cherokee XJ Wagon	3.5 hrs			0.5 hr		
	Cherokee/Liberty KK	3.0 hrs					
	Cherokee/Liberty KJ	3.0 hrs					
	Wrangler TJ	3.0 hrs			0.5 hr		
	Wrangler YJ	5.0 hrs			0.5 hr		
	Wrangler JL	2.0 hrs	1.0 hr	1.0 hr	0.5 hr		2 inch lift
	Wrangler JK	2.0 hrs	1.0 hr	1.0 hr	0.5 hr		2 inch lift
	Dodge RAM 1500 DS	3.0hrs					
Ford	Ranger PX 1,2,3	4.0 hrs	1.0 hr				
	Ranger PJ/PK	4.0 hrs					
	Ranger Raptor	3.0 hrs					
	Courier/Ranger 1 tonne	4.0 hrs					
	Everest	3.0 hrs					
	F250/F350 2011 to 2017	7.0 hrs					Includes all bracket kits
	F250/F350 2008 to 2010	7.0 hrs					Includes all bracket kits
	F250/F350 2005 to 2008	3.5 hrs		1.0 hr			
F250/F350 1999 to 2004	5.0 hrs						
Holden/Isuzu/GM	Jackaroo 2001 to 2004	2.0 hrs					
	Jackaroo 1992 to 2001	2.0 hrs					
	Jackaroo 1982 to 1992	4.0 hrs					
	Frontera 1999 to 2003	2.0 hrs					
	Frontera 1995 to 1998	2.0 hrs					
	Trailblazer/Colorado 7/MUX	3.0 hrs					
	Colorado/Canyon 2015 on	4.0 hrs					
	Dmax 2021 on	4.0 hrs	1.0 hr				
	Dmax 12 to 20/Colorado 12 on	4.0 hrs	1.0 hr				
	Dmax/Colorado/Rodeo	4.0 hrs					
Rodeo/Dmax to 2003	4.0 hrs						
Drover	5.0 hrs			0.5 hr			
Hummer	H3	4.0 hrs					
Hyundai	Terracan	2.0 hrs					
Kia	Sorrento	3.0 hrs					
Lada	Niva	2.0 hrs					
Land Rover	Discovery 3	3.0 hrs					
	Discovery 1999 to 2004	3.0 hrs			0.5 hr		
	Discovery/Range Rover	3.0 hrs		2.0 hrs	0.5 hr		
	Defender 110	3.0 hrs		2.0 hrs	0.5 hr		
	Defender 110 long travel	4.0 hrs	2.0 hrs	2.0 hrs	0.5 hr		
	Defender 130	3.0 hrs		2.0 hrs	0.5 hr		
	90 series	3.0 hrs		2.0 hrs	0.5 hr		
Mazda	BT-50 2021 on	4.0 hrs	1.0 hr				
	BT-50 2011 to 2020	4.0 hrs	1.0 hr				
	BT-50 1 tonne 2006 to 2011	4.0 hrs					
	B Series 1 tonne 1987 to 2006	4.0 hrs					
Mercedes	G Wagon	2.0 hrs					
Mitsubishi	Pajero Sport 2015 on	3.0 hrs					
	Pajero/Montero 2007 on	3.0 hrs					
	Pajero/Montero 2000 to 2006	3.0 hrs					
	Pajero/Montero 1991 to 1999	4.0 hrs					Leaf Spring rear
	Pajero/Montero 1991 to 1999	3.0 hrs					Coil Spring rear
	Pajero/Montero to 1991	4.0 hrs					

cont.

# FIT TIMES BY VEHICLE

Make	Model	Springs, shocks/ struts & shackles/ pins/fit kits	Bp Fit Kit	Caster Kit	Steering Stabiliser	\$ Wheel Alignment	Comments
Mitsubishi (cont.)	Pajero Challenger 1989 to 1991	3.0 hrs					
	Triton/L200 MR & MQ	4.0 hrs					
	Triton/L200 ML & MN	4.0 hrs					
	Triton/L200 MK	4.0 hrs					
	Triton/L200 to 1996	3.0 hrs					
	Challenger 2010 to 2015	3.0 hrs					
	Challenger 2000 to 2008	3.0 hrs					
	Challenger 1998 to 2000	4.0 hrs					
Nissan	Patrol Y62	3.0 hrs	1.0 hr				
	GU Patrol	2.0 hrs	1.0 hr	2.0 hrs	0.5 hr		Coil/Coil
	GU Patrol	3.5 hrs		2.0 hrs	0.5 hr		Coil Leaf
	GQ Patrol	2.0 hrs	1.0 hr	2.0 hrs	0.5 hr		Coil/Coil
	GU Patrol	5.0 hrs			0.5 hr		Leaf/Leaf
	MQ 260 Patrol	5.0 hrs					
	MQ M60 Patrol	5.0 hrs			0.5 hr		
	Navara NP300 15 on S1, 2, 3, 4, 5	3.0 hrs					Coil Spring rear
	Navara NP300 15 on S1, 2, 3, 4, 5	4.0 hrs					Leaf Spring rear
	Navara D40	4.0 hrs					
	Navara D22	4.0 hrs					
	Navara D21	4.0 hrs			0.5 hr		
	Pathfinder R51	3.0 hrs					
	Pathfinder R50	3.0 hrs					
	Pathfinder to 1995	2.0 hrs					
	Terrano	2.0 hrs					
	Xterra	4.0 hrs					
Ssangyong	Musso 1995 to 2005	2.0 hrs					
Suzuki	Grand Vitara 2005 to 2015	3.0 hrs					
	Grand Vitara to 2005	3.0 hrs					
	Vitara Wagon 1988 to 2005	3.0 hrs					
	Vitara Wagon 1988 to 2005	3.0 hrs					
	XL7	3.0 hrs					
	Equator	4.0 hrs					
	Sierra/Samurai	5.0 hrs			0.5 hr		
	Santana Samurai	5.0 hrs			0.5 hr		
	Jimny 2018 on	2.0 hrs		2.0 hrs			
Jimny to 2017	2.0 hrs						
Toyota	200 Series	3.0 hrs	1.0 hr				
	100 Series IFS	3.0 hrs					
	105 Series / 80 Series	2.0 hrs	1.0 hr	2.0 hrs	0.5 hrs		
	Prado 150	3.0 hrs	1.0 hr				
	Prado 120	3.0 hrs	1.0 hr				
	Prado 90	3.0 hrs					
	Tundra	4.0 hrs	1.0 hr				
	FJ Cruiser	3.0 hrs	1.0 hr				
	Fortuner	3.0 hrs					
	70 Series Dual Cab	3.5 hrs	1.0 hr	2.0 hrs	0.5 hr		Add 1 hr if fitting OMESTAB9
	76 Series Wagon	3.5 hrs	1.0 hr	2.0 hrs	0.5 hr		
	78 Series	3.5 hrs	1.0 hr	2.0 hrs	0.5 hr		Add 1 hr if fitting OMESTAB9
	79 Series Single Cab	3.5 hrs	1.0 hr	2.0 hrs	0.5 hr		Add 1 hr if fitting OMESTAB9
	75 Series	5.0 hrs			0.5 hr		
	HZJ71 & HZJ74	3.5 hrs		2.0 hrs	0.5 hr		
	Landcruiser 11 Wagon	2.0 hrs					
	Bundera RJ70	2.0 hrs					
	70, 73, 74 Series	5.0 hrs			0.5 hr		
60, 61, 62 Series	5.0 hrs			0.5 hr			
45, 47 Series	5.0 hrs			0.5 hr			

cont.



# FIT TIMES BY VEHICLE

Make	Model	Springs, shocks/ struts & shackles/ pins/fit kits	Bp Fit Kit	Caster Kit	Steering Stabiliser	\$ Wheel Alignment	Comments
Toyota (cont.)	40, 42 Series	5.0 hrs			0.5 hr		
	Tacoma 2016 on	4.0 hrs	1.0 hr				
	Tacoma 2005 to 2015	4.0 hrs	1.0 hr				
	Tacoma 1998 to 2004	4.0 hrs					
	Hilux 2015 on	4.0 hrs	1.0 hr				
	Hilux 2005 to 2015	4.0 hrs	1.0 hr				
	Hilux/Tiger 1997 to 2004	4.0 hrs			0.5 hr		
	Hilux and 4Runner Pre 1997	6.0 hrs			0.5 hr		All Leaf models
	Hilux Pres 1997 EC and DC SR5	4.0 hrs			0.5 hr		IFS front, leaf rear
	4 Runner 2010 on US model	3.0 hrs	1.0 hr				
	4 Runner 2003 to 2010 US model	3.0 hrs					
	4 Runner/Surf 1996 to 2002 US	3.0 hrs					
	4 Runner 1990 to 1996	3.0 hrs			0.5 hr		IFS front, coil rear
	4 Runner 1986 to 1990	4.0 hrs			0.5 hr		IFS front, leaf rear
Volkswagen	Amarok 2010 on	5.0 hrs					



# Distributed by:

---

## **AIR LOCKER INC. (ARB USA)**

### **SEATTLE**

4810 D St NW #103,  
Auburn WA 98001, USA

**T** +1 425 264 1391  
**E** sales@arbusa.com  
**W** arbusa.com

## **AIR LOCKER INC. (ARB USA)**

### **JACKSONVILLE**

3700 Port Jacksonville Pkwy Suite #1,  
Jacksonville FL 32226, USA

**T** (904) 379 8216  
**F** (904) 813 7197  
**E** sales@arbusa.com  
**W** arbusa.com

## **ARB OFFROAD LTD**

### **(ARB THAILAND)**

Eastern Seaboard Industrial Estate  
Building GW 1, 2nd Floor 300/56,  
Moo 1, T.Tasit,  
A Pluakdaeng  
Rayong 21140, Thailand

**T** +66 38 929 672  
**E** sales.thailand@arb.com.au  
**W** arb.co.th

## **ARB EUROPE S.R.O**

Na Dlouhém č.80,  
DC2 251 01  
Říčany - Jazlovice  
Czech Republic

**T** +420-323-040-900  
**E** sales@arbeurope.com  
**W** arbeurope.com

## **ARB MIDDLE EAST FZE**

LIU15, RA07AB05,  
Jafza North, Jebel Ali Freezone,  
Dubai, United Arab Emirates

**T** +971 4 880 7005  
**E** purchasingmena@arb.com.au  
**W** arbmiddleeast.com

## **ARB NEW ZEALAND**

205 Ellis St, Frankton  
Hamilton 3204, New Zealand

**T** +64 7 847 3524  
**E** nzsales@arb.com.au  
**W** arb.co.nz



### **HEAD OFFICE: ARB 4X4 ACCESSORIES**

42-44 Garden Street,  
Kilsyth Victoria 3137 Australia

**T** +61 3 9761 6622 **F** +61 3 9761 6607  
**E** exports@arb.com.au **W** arb.com.au